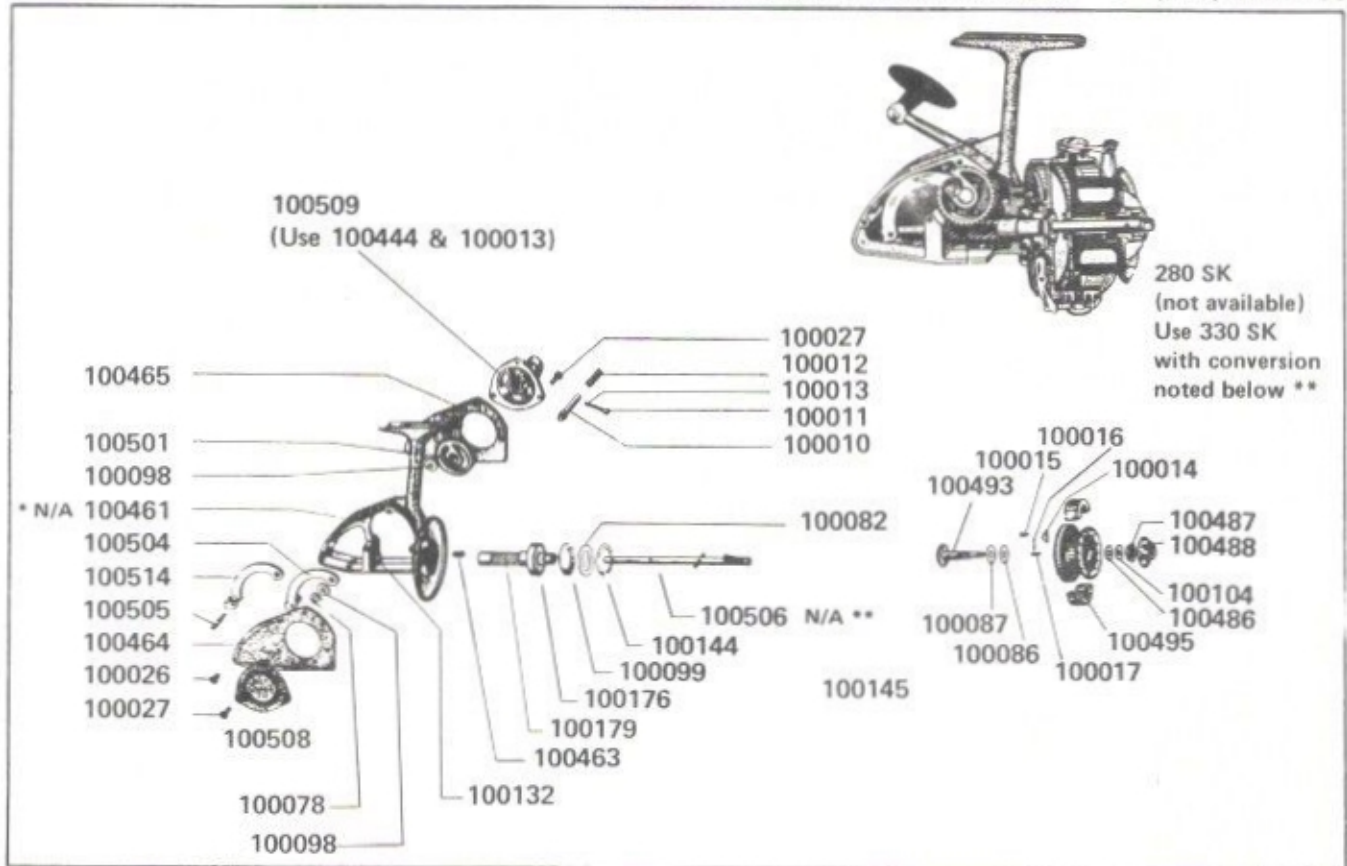


620 TERMINAL WAY • P. O. BOX 938 • COSTA MESA, CALIFORNIA 92627 • (714) 642-1163



IMPORTANT: AN "N" SERIES QUICK SPOOL WILL NOT FIT THIS REEL

PART NO.	DESCRIPTION	LIST PRICE	PART NO.	DESCRIPTION	LIST PRICE	QTY
100-010	Anti-reverse pin	.55	100-487	Bushing, plastic	.30	
100-011	Ball lever	.45	100-488	Drag nut	1.45	
100-012	Spring for anti-reverse	.25	100-493	Break spindle w/o ratchet wheel	1.50	
100-013	Plastic tube for ball lever	.25	100-495	Cork ring halves (2)	.40	
100-014	Click tongue	.30	100-501	Drive gear	2.05	
100-015	Pin for click tongue	.25	100-504	Lever arm for left hand cranking (Finessa Series)	.50	
100-016	Spring	.30	100-505	Pin for lever arm	.30	
100-017	Pin	.25	100-506	Axle, complete N/A see 100-528		
100-026	Screw, case cover (2)	.25	100-508	Plate cover, plastic 280/285	.45	
100-027	Screw, case cover (6)	.25	100-509	Bearing cover - use 100-444 & 100-013		
100-069	Lock washer	.30	100-514	Lever arm for right hand cranking	.50	
100-078	Safety clip	.25	100-516	Housing	5.35	
100-082	Spring washer for ball bearing	.25	100-518	Housing cover	.65	
100-086	Washer, metal	.25	100-526	Slide	.55	
100-087	Washer, resitex	.25	100-527	Connecting piece	.45	
100-098	Washer	.25	**100-528	Axle, complete	1.85	
100-099	Packing ring	.25	100-530	Slide plate cover	1.45	
100-104	Washer, metal	.30	101-801	Slide, complete	1.30	
100-132	Bushing	.40	330-SK	Spool, complete	8.50	
100-144	Swop ring	.25	***			
100-145	Ratchet wheel	.35				
100-176	Ball bearing	3.00				
100-179	Drive shaft	2.50				
100-435	Screw for slide	.25				
100-436	Screw for axle	.25				
100-444	Bearing cover	1.90				
100-447	Screw for bearing cover	.25				
100-461	Case w/bushing N/A See 100-516					
100-463	Ball trip screw	.30				
100-464	Case cover, right (Finessa Series)	.75				
100-465	Case cover, left (Finessa Series)	.75				
100-486	Washer, resitex	.25				

\* to convert to new No. 330 housing, the following parts are needed: 1 ea. 100-516, 100-518, 100-530, and 3 ea. 100-447.

\*\* to convert to new No. 330 axle, the following parts are needed: 100-528, 100-069, 100-078, 100-098, 100-435, 100-436, 100-526, 100-527, 101-801.