

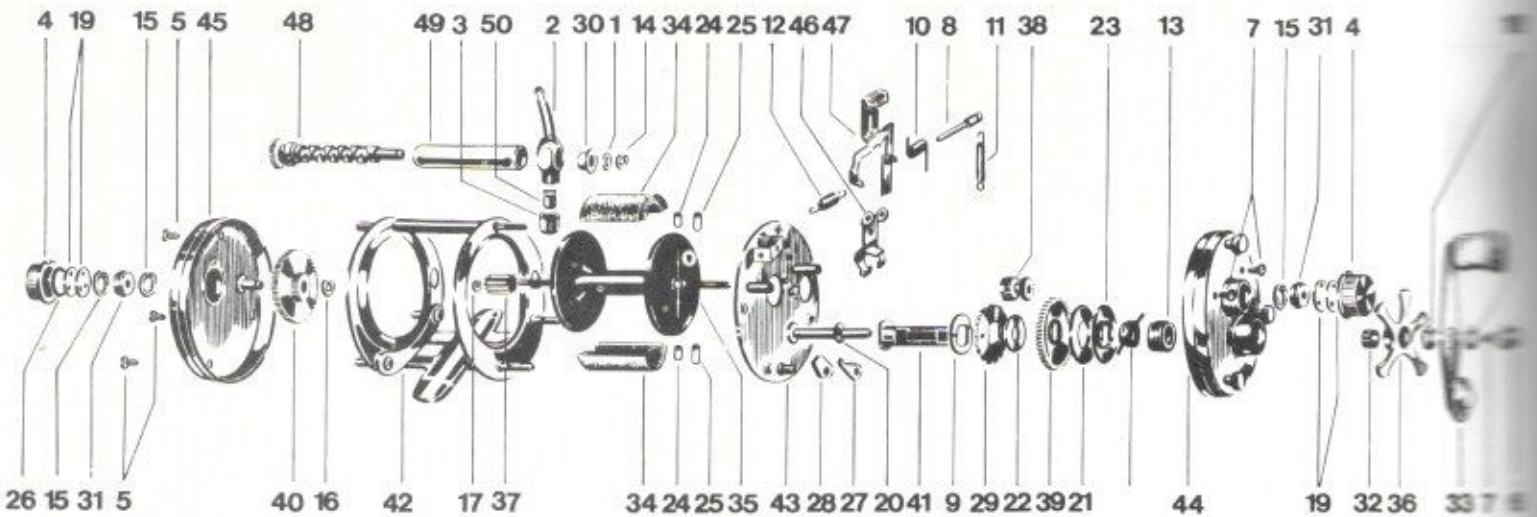
Quick

Corporation
of America

CHAMPION SERIES

700 700B 800 800B

620 TERMINAL WAY • P. O. BOX 938 • COSTA MESA, CALIFORNIA 92627 • (714) 642-1162



600B

QTY

FIG. NO.	PART NO.	DESCRIPTION	PRICE	700	700B	800	800B
1	100-006	Washer	.25	X	X	X	X
2	145-000	Line guide, complete	3.30	X	X	X	X
3	145-010	Line guide nut	.50	X	X	X	X
4	145-011	Cover nut	1.25	X	X	X	X
5	145-012	Screw	.30	X	X	X	X
6	145-013	Handle lock nut	.70	X	X	X	X
7	145-030	Handle screw	.30	X	X	X	X
8	145-050	Bearing pin	.45	X	X	X	X
9	145-052	Control element	.30	X	X	X	X
10	145-070	Spring	.35	X	X	X	X
11	145-071	Tension spring, long	.40	X	X	X	X
12	145-072	Tension spring, trans-versal	.35	X	X	X	X
13	145-073	Compression spring	.50	X	X	X	X
14	145-090	Safety disc	.25	X	X	X	X
15	145-091	Safety disc	.25	X	X	X	X
16	145-092	Safety disc	.25	X	X	X	X
17	145-096	Safety disc	.25	X	X	X	X
18	145-097	Safety disc	.30	X	X	X	X
19	145-121	Slot plate	.25	X	X	X	X
20	145-123	Washer	.35	X	X	X	X
21	145-162	Brake disc, resitex	.25	X	X	X	X
22	145-161	Brake disc	.25	X	X	X	X
23	145-163	Plane wheel	.60	X	X	X	X
24	145-180	Centrifugal weight	.50	X	X	X	X
25	145-181	Centrifugal weight	.50	X	X	X	X
26	145-182	Joint ring	.45	X	X	X	X
27	145-201	Ratchet pawl	.55	X	X	X	X
28	145-202	Wearing plate	.70	X	X	X	X
29	145-203	Ratchet wheel	.70	X	X	X	X
30	145-230	Bearing	.50	X	X	X	X
31	145-231	Slide bearing	.55	X	X	X	X
31	145-480	Ball bearing	7.50	X	X	X	X
32	145-233	Carrying piece	.50	X	X	X	X
33	145-280	Crank arm, complete	3.80	X	X	X	X
33	145-281	Crank arm, complete	3.80	X	X	X	X
34	145-375	Cork rings	.50	X	X	X	X
34	145-376	Cork rings	.50	X	X	X	X
35	145-391	Spool	16.00	X	X	X	X
35	145-393	Spool	17.00	X	X	X	X
36	145-470	Brake nut, complete	2.70	X	X	X	X
37	145-502	Pinon	1.25	X	X	X	X
38	145-507	Driving pinon	1.65	X	X	X	X
38	145-513	Driving pinon	1.65	X	X	X	X
39	145-509	Driving wheel	5.00	X	X	X	X
39	145-512	Driving wheel	5.00	X	X	X	X
40	145-511	Tooth wheel, pair	.70	X	X	X	X
41	145-540	Brake spindle	1.65	X	X	X	X
42	145-562	Case frame, complete	15.00	X	X	X	X
42	145-563	Case frame, complete	15.00	X	X	X	X
43	145-626	Mount plate	8.50	X	X	X	X
44	145-627	Cover driving	7.50	X	X	X	X
44	145-628	Cover driving	7.50	X	X	X	X
45	145-620	Cover	7.50	X	X	X	X
45	145-621	Cover	7.50	X	X	X	X
45	145-633	Cover	7.50	X	X	X	X
45	145-634	Cover	7.50	X	X	X	X
46	145-690	Pinon lever	.65	X	X	X	X
47	145-691	Bolt	1.90	X	X	X	X
48	145-770	Cross worm, complete	4.05	X	X	X	X
48	145-771	Cross worm, complete	4.05	X	X	X	X
49	145-772	Guide tube	4.05	X	X	X	X
49	145-773	Guide tube	4.05	X	X	X	X
50	145-774	Slide stone	.85	X	X	X	X

Fig. No.	Part No.	Description	Price
34	145-374	Cork Rings	.50
35	145-390	Spool	15.00
42	145-564	Case Frame	15.00
45	145-609	Cover	7.50
48	145-769	Cross Worm	4.05
49	145-775	Guide Tube	4.05