

FURUNO

OPERATOR'S MANUAL

MULTI-PURPOSE LCD DISPLAY

MODEL MU-200C



FURUNO ELECTRIC CO., LTD.
NISHINOMIYA, JAPAN

© **FURUNO ELECTRIC CO., LTD.**

9-52, Ashihara-cho,
Nishinomiya, Japan

Telephone: 0798-65-2111
Telefax: 0798-65-4200

•Your Local Agent/Dealer

All rights reserved. Printed in Japan

FIRST EDITION : DEC. 2001
B1 : MAY 20, 2002

(HIMA)

PUB. No. OME-20260
MU-200C



* 00080926800 *



* OME20260B10 *

⚠ SAFETY INSTRUCTIONS

Safety Instructions for the Operator

WARNING

Do not open the equipment.

Only qualified personnel should work inside the equipment.

Do not disassemble or modify the equipment.

Fire, electrical shock or serious injury can result.

Use the proper fuse.

Fuse rating is shown on the equipment. Use of a wrong fuse can result in damage to the equipment.

Immediately turn off the power at the switchboard if the equipment is emitting smoke or fire.

Continued use of the equipment can cause fire or electrical shock. Contact a FURUNO agent for service.

CAUTION

A warning label is attached to the equipment. Do not remove the label. If the label is missing or damaged, contact a FURUNO agent or dealer.

⚠ **WARNING** ⚠

To avoid electrical shock, do not remove cover. No user-serviceable parts inside.

⚠ ⚠

Name: Warning Label (1)

Type: 03-129-1001-1

Code No.: 100-236-741

Safety Instructions for the Installer

WARNING

Do not open the cover unless totally familiar with electrical circuits and service manual.

Improper handling can result in electrical shock.

Turn off the power at the switchboard before beginning the installation.

Fire or electrical shock can result if the power is left on.

Do not install the equipment where it may get wet from rain or water splash.

Water in the equipment can result in fire, electrical shock or damage to the equipment.

CAUTION

Ground the equipment to prevent mutual interference.

Observe the following compass safe distances to prevent interference to a magnetic compass:

	Standard compass	Steering compass
MU-200C	2.5 m	1.4 m

Locate the MU-200C out of direct sunlight for optimum viewing.

When lifting the display unit, hold it together with the cover.

Grasping by the cover alone may allow the display unit to fall, resulting in possible injury or damage to the equipment.

TABLE OF CONTENTS

FOREWORD	iii
SYSTEM CONFIGURATION	iv
EQUIPMENT LISTS	v
1 INSTALLATION	1
1.1 Installing the Display Unit	1
2 WIRING	4
2.1 Wiring External Equipment	4
3 ADJUSTMENTS	7
3.1 Picture Adjustment.....	7
3.2 RGB Adjustment.....	9
3.3 Brilliance.....	9
4 OPERATION	10
5 MAINTENANCE, TROUBLESHOOTING	11
5.1 Maintenance.....	11
5.2 Troubleshooting.....	12
APPENDIX	AP-1
Parts Location	AP-1
Parts List	AP-2
Interconnection Diagram	AP-3
Modification for Switching from Landscape to Portrait Orientation	AP-4
SPECIFICATIONS	SP-1
PACKING LIST	
OUTLINE DRAWING	
INTERCONNECTION DIAGRAM	
SCHEMATIC DIAGRAMS	

FOREWORD

A Word to the Owner of the MU-200C

FURUNO Electric Company thanks you for purchasing the MU-200C 20.1" Multi-Purpose LCD Display. We are confident you will discover why the FURUNO name has become synonymous with quality and reliability.

For over 50 years FURUNO Electric Company has enjoyed an enviable reputation for quality and reliability throughout the world. This dedication to excellence is furthered by our extensive global network of agents and dealers.

Your equipment is designed and constructed to meet the rigorous demands of the marine environment. However, no machine can perform its intended function unless properly installed and maintained. Please carefully read and follow the operation, installation and maintenance procedures set forth in this manual.

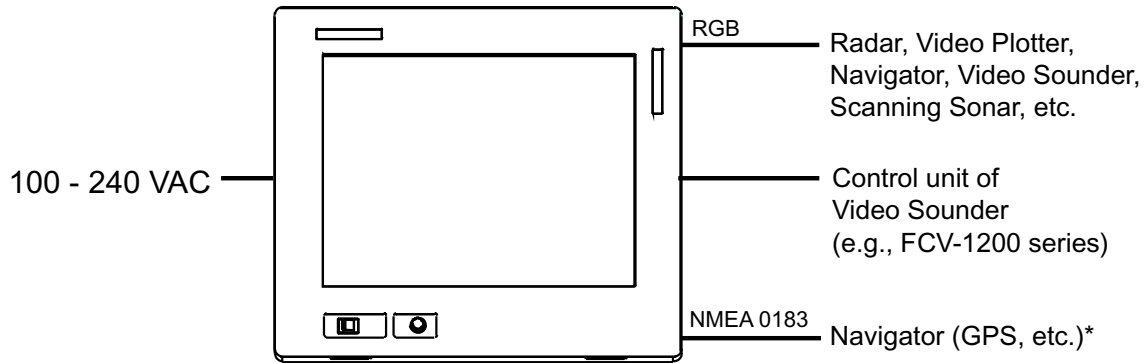
We would appreciate feedback from you, the end-user, about whether we are achieving our purposes.

Thank you for considering and purchasing FURUNO.

Features

- Main or remote display for radars, video sounders, sonars and position-fixing equipment. Compatible equipment: FR-2105B Series, FCV-1200 series, FCV-1500 series, FSV-24, GD-280/360/380, etc.
- High resolution display of 1280 X 1024 dot (SXGA), 640 X 480 dot (VGA)
- Brightness of more than 200 cd/m² for comfortable viewing day and night
- Landscape or portrait orientation
- Wide viewing angle of 160° for observation by more than one person

SYSTEM CONFIGURATION



Equipment Category: Protected

* = When using the FCV-1200 series, NMEA 0183 data may be input to the processor unit of the echo sounder, via the MU-200C.

Connectable equipment

Equipment	MU-200C Display Unit Type	
	Landscape	Portrait*
FR-2105B Series	Yes	No
FCV-1200 Series	Yes	Yes (Modification required)
FCV-1500 Series	No	Yes (Modification required)
FSV-24	Yes	No
GD/GP-280/380/680	Yes	No

*=Display should not be viewed with polarized sunglasses.

EQUIPMENT LISTS

Standard supply

Name	Type	Code No.	Qty	Remarks
Display Unit	MU-200C	-	1	
Spare Parts	SP10-02803	001-414-950	1 set	See list at end of manual
Installation Materials	CP10-05001	001-414-550	1 set	
Accessories	FP10-02501	001-414-490	1 set	

Optional equipment

Name	Type	Code No.	Qty	Remarks
Hood (Landscape)	FP10-02612	001-414-770	1	
Hood (Portrait)	FP10-02613	001-414-790	1	

This page is intentionally left blank.

1 INSTALLATION

Refer to the outline drawing at the end of the manual for mounting dimensions.

Note: The LCD is made of glass. Handle it with care.

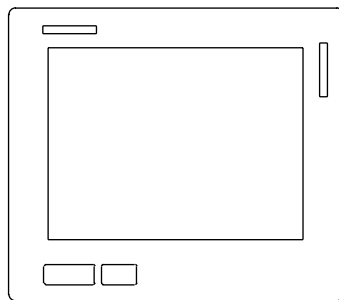
1.1 Installing the Display Unit

The display unit is designed to be flush mounted in a console. When selecting a mounting location, keep in mind the following points:

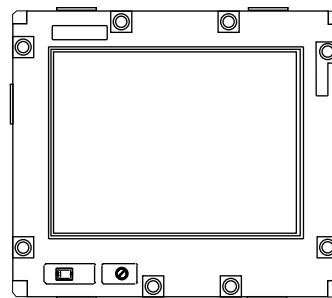
- Locate the unit out of direct sunlight.
- Select a location where the display can be easily viewed and the controls can be easily operated.
- Leave sufficient space around the unit for servicing and maintenance. See the outline drawing for recommended servicing space.
- The unit weighs 50.7 lbs (23 kg). Be sure the mounting location is strong enough to support the weight of the unit.
- Locate the unit away from areas subject to water splash and rain.

Procedure

1. Using the paper template supplied in the installation materials, make a cutout in the mounting location. (Modification of the LCD may be necessary depending on equipment used. See the table on page iv and “Modification for Switching from Landscape to Portrait Orientation” in the Appendix for details.)
2. Pull the display unit cover toward you to detach it.



Cover

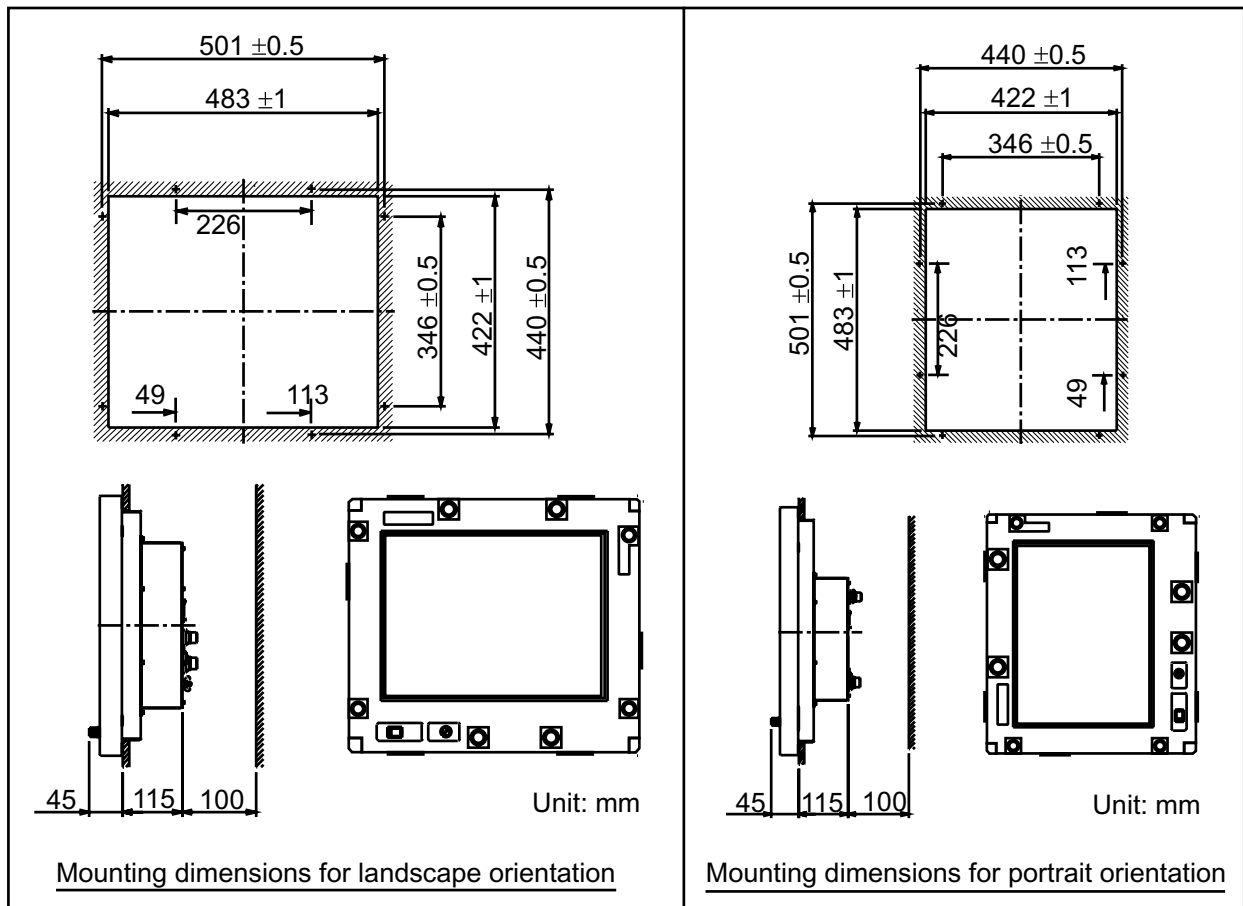


Display Unit

Display unit and cover

- Fasten the display unit to the mounting location with eight tapping screws (5X30).

Note: Hex head bolts may also be used to fasten the display unit. However, their length must be at least 30 mm.



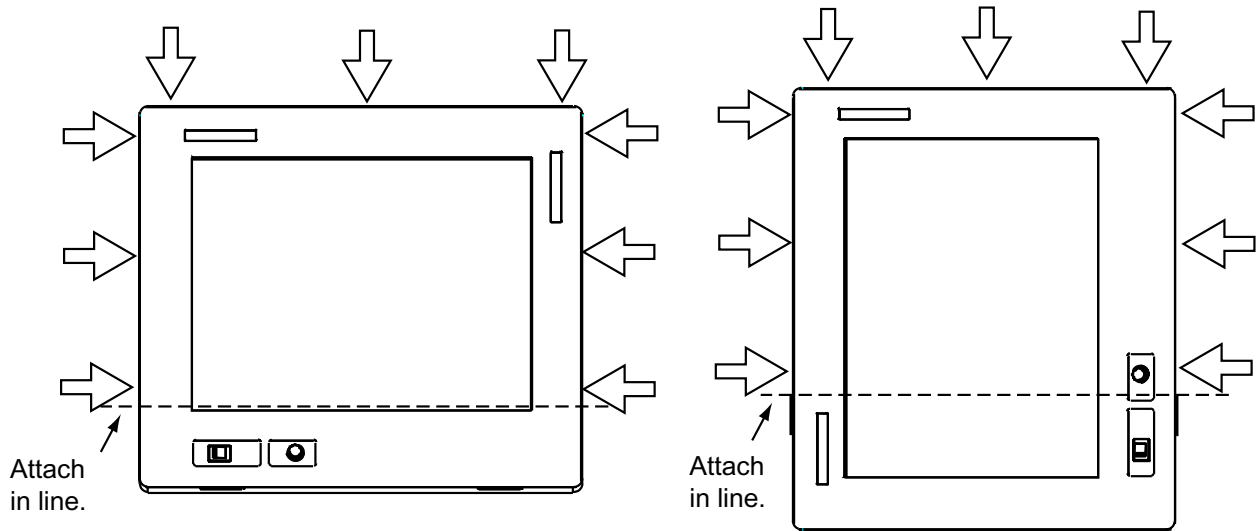
Mounting dimensions

- Reattach the cover.
- For the portrait model only, attach the FURUNO logo seal (supplied) at the top left corner. (Remove the logo seal at the bottom left corner.)

1.1.1 Hood (option)

A hood (portrait or landscape) is optionally available. Attach it to the display unit with Velcro tape as shown below.

1. Attach nine sets of Velcro tape to the display unit at the locations shown below, in as straight as possible.



Display unit, how to attach Velcro tapes

2. Attach the hood to the display unit.

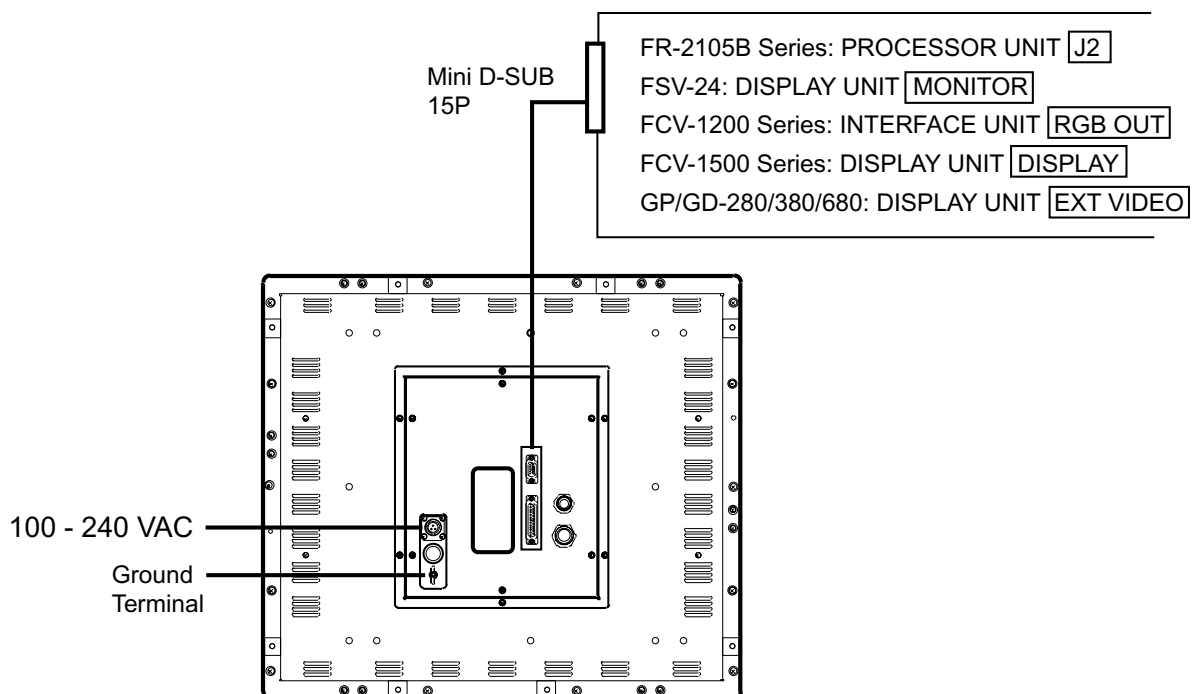
2 WIRING

2.1 Wiring External Equipment

Connect external equipment to the MU-200C by referring to the drawings in this section. A cable with connector at both ends is provided to connect equipment. For details, see the interconnection diagram on page S-1.

General-purpose monitor

To use the MU-200C as a general-purpose monitor, connect equipment with a mini D-SUB 15P connector. In this case do not connect a navigator to the NMEA port. Nav data is output through the D-SUB 25P connector.



Display unit, rear view, wiring using general-purpose video cables

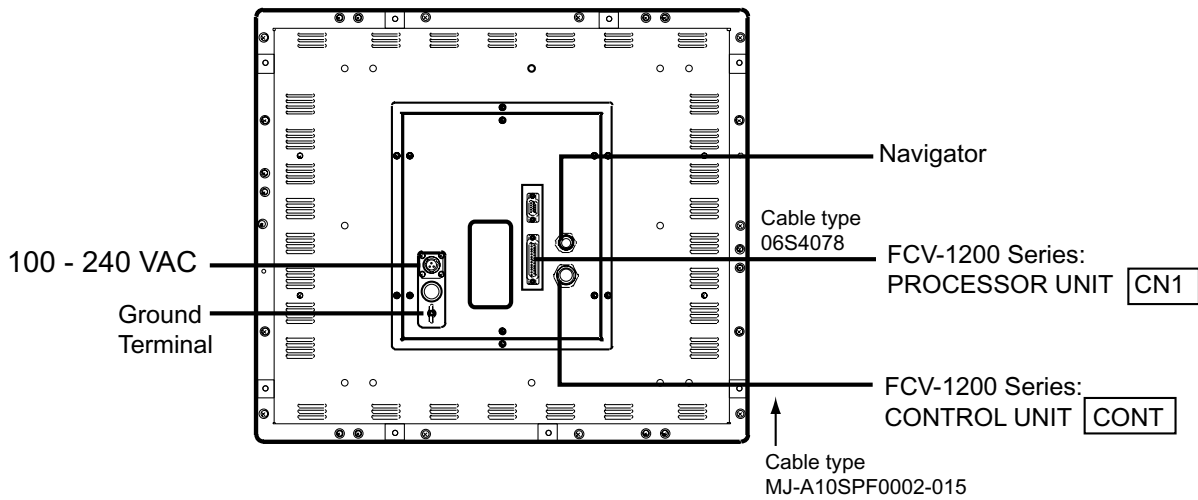
Note: Use the following cable or the equivalent:

Mini D-SUB 15P: EVNPS05-50 ft, male-female, (max. 15 m)

Manufacturer: BlackBox Japan

Connecting FCV-1200 series

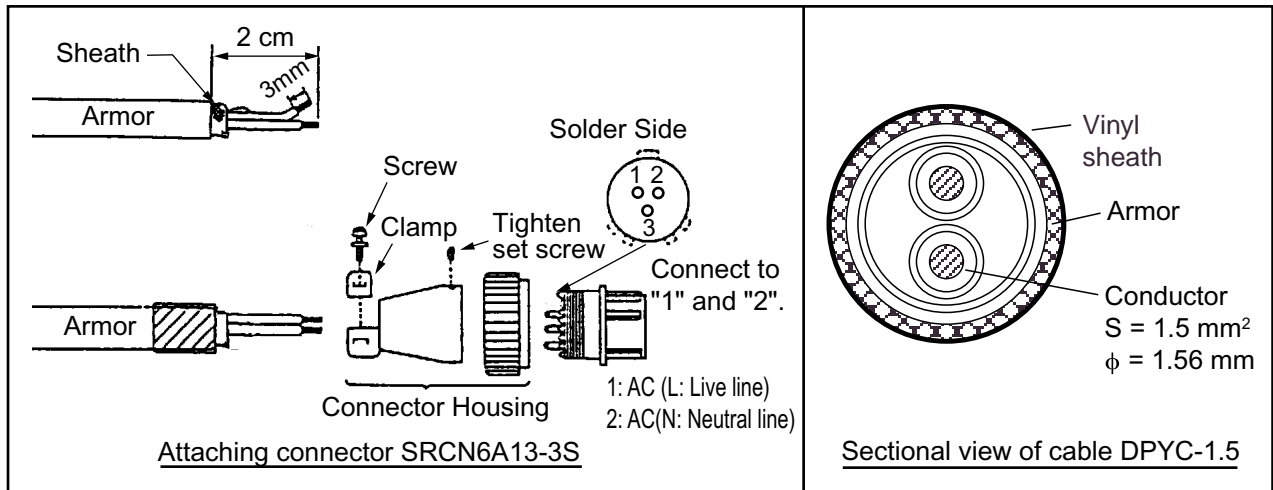
Using the cables designated below (or equivalent) to connect the FCV-1200 series makes the interface unit of the FCV-1200 series unnecessary. The mini D-SUB 15 P connector cannot be used to connect the FCV-1200 series.



Display unit, rear view, wiring using specialty cables

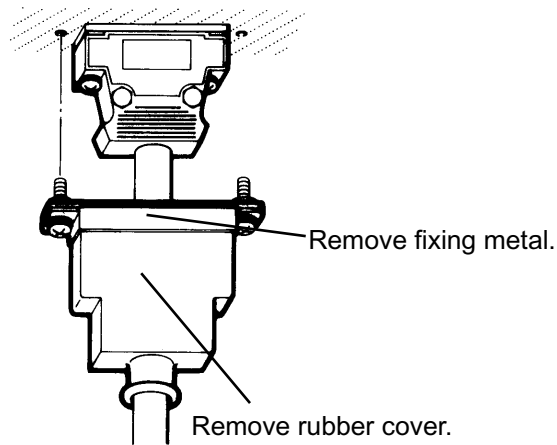
Notes on wiring

- The cover of the D-SUB connector of the cable 06S4078 may be removed to pass the cable through tubing, bulkhead, etc. Use vinyl tape to bind connector wiring and rubber cover. This allows the cable to be passed through a hole having a diameter of 30 mm.
- Attach connector SRCN6A13-3S (supplied in installation materials) to the power cable (cable DPYC-1.5 (Japan Industrial Standard) or equivalent).



How to attach connector SRCN6A13-3S; sectional view of power cable DPYC-1.5

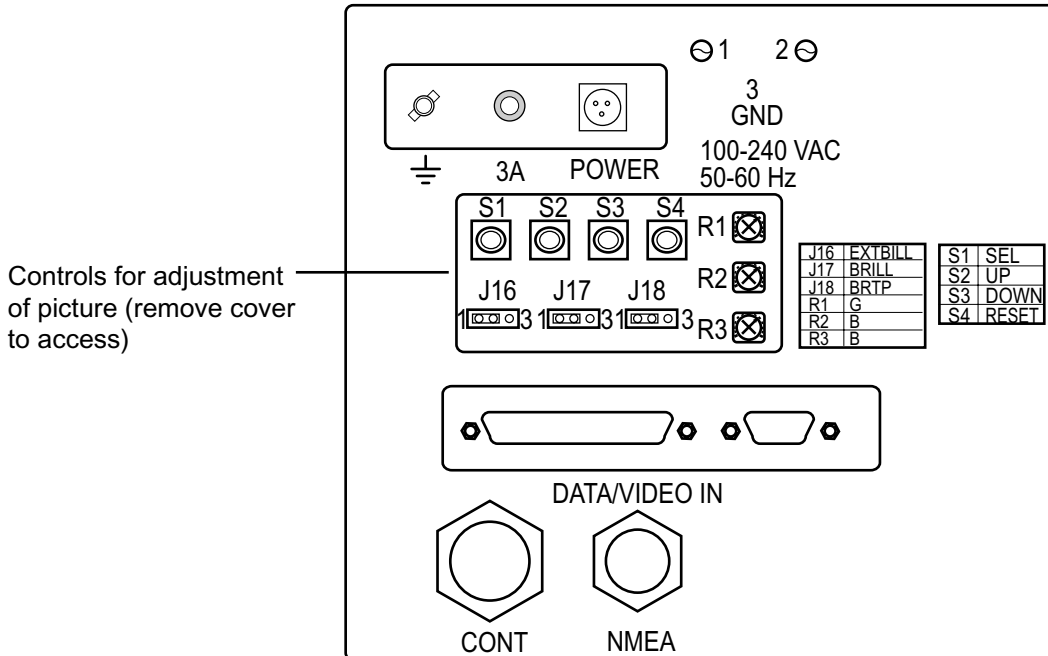
- Cable 06S4078 is of waterproof construction, however, the MU-200C is not waterproof (specification IPX0). Therefore, remove rubber cover and fixing metal from the display side of the cable.



D-SUB connector

3 ADJUSTMENTS

Controls for adjustment of the picture are provided on the rear of the display unit. Open the small cover to access the controls.



Rear panel

3.1 Picture Adjustment

Contrast and picture are adjusted with

[S1]: Opens OSD (On Screen character Display) menu; selects menu items. See the next page for description of OSD menu.

[S2]: Increases setting.

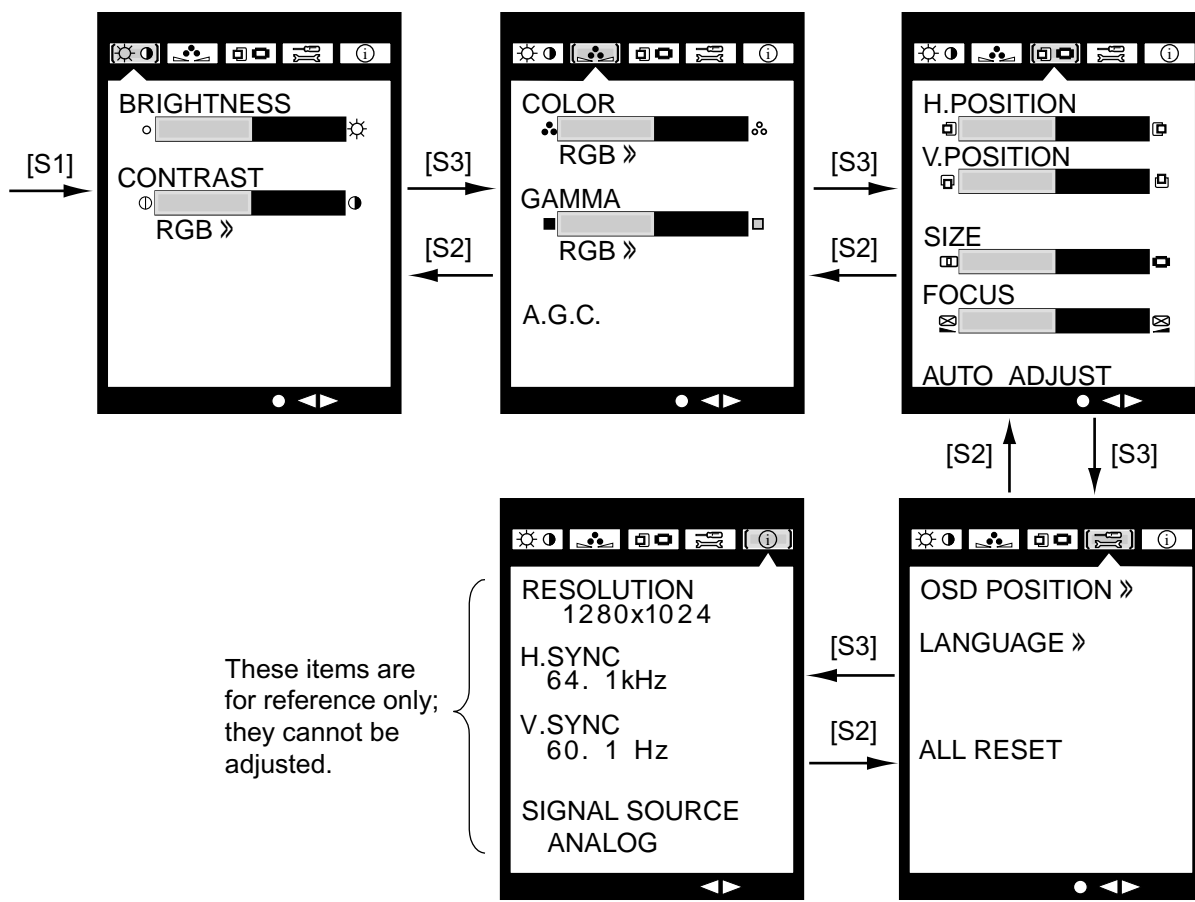
[S3]: Decreases setting.

[S4]: Initializes setting.

About the picture adjustment buttons

- [S2]/[S3] may be pressed and held down to increase/decrease setting more rapidly.
- Press buttons within ten seconds of each other. Otherwise, the previous condition is restored.
- Press the [S4] button more than two seconds to initialize setting.

OSD menu



OSD menu

Description of OSD menu

Description of OSD menu

No.	Item	Description
1	Brightness	Not used.
2	Contrast	Adjusts LCD contrast.
3	Color	Adjusts black level to match input signal level.
4	Gamma	Adjusts tone characteristics.
5	A. G. C. (Auto Gain Control)	Adjusts auto gain to match amplitude of input signal level.
6	H. Position	Adjusts horizontal position.
7	V. Position	Adjusts vertical position.
8	Size	Adjusts dot clock frequency to match input signal.
9	Focus	Adjusts clock delay.
10	Auto Adjust	Automatically adjusts position, size and clock.
11	OSD Position	Adjusts menu position.
12	Language	Chooses menu language from English, German, French and Spanish.
13	All Reset	Restores default settings for items 1-9, 11 and 12.
14	Information	Displays input signal information: Input signal resolution, horizontal synchronization signal and vertical synchronization signal frequencies.

3.2 RGB Adjustment

Color may be adjusted with the following potentiometers on the rear panel. Turn the potentiometer clockwise to increase color.

Model	Potentiometer Setting
FCV-1200 Series	Default setting
FSV-24, GD/GP-280/380/680, FCV-1500 Series, FR-2105B Series	Fully clockwise

- R1: Red
- R2: Green
- R3: Blue

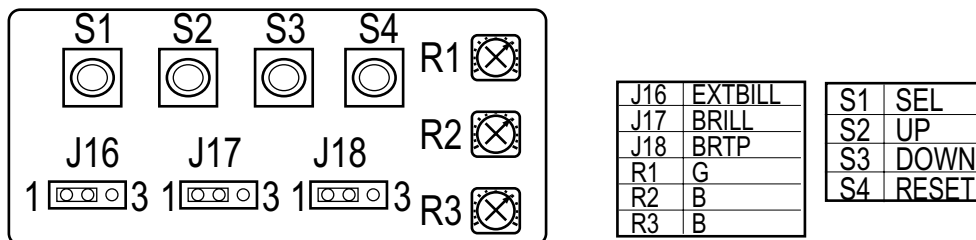
3.3 Brilliance

Brilliance of the display unit can be adjusted from the control unit of the FCV-1200 series by setting jumper block J17 as below.

J17: Brilliance control circuit selection

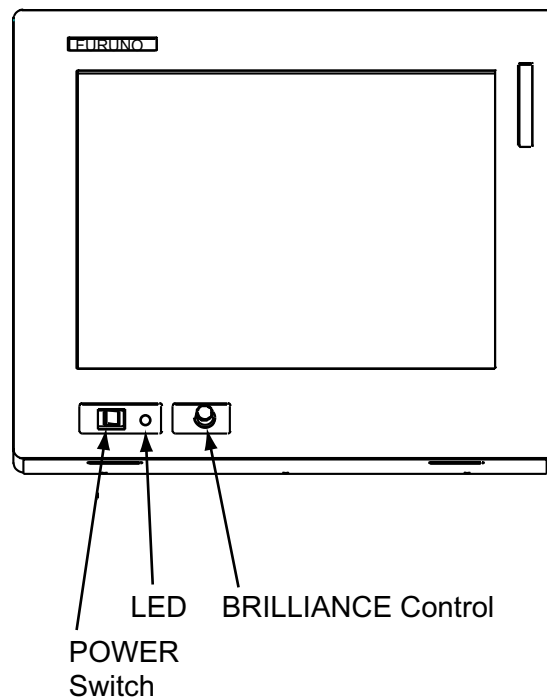
- 1-2: Brilliance is adjusted from the MU-200C (default setting)
- 2-3: Brilliance is adjusted from the control unit of the FCV-1200 series

Note: Do not change the setting of the J16 or J18. The default setting for both is "1-2".



Jumper blocks

4 OPERATION



Display unit

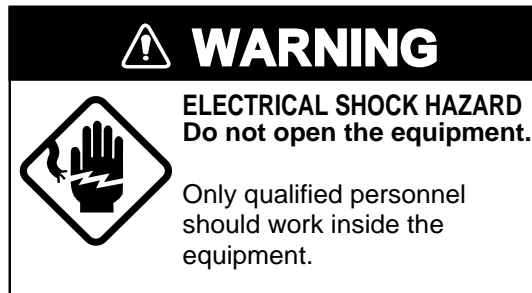
POWER switch: Turns the power on/off. The LED lamp lights in green when the unit is turned on and goes off when the unit is turned off.

To turn the MU-200C on and off from the control unit of a video sounder such as the FCV-1200 series, turn on the POWER switch of the MU-200C. Note that with the MU-200C turned on and the FCV-1200 turned off the LED on the MU-200C lights in red. This means that weak current is flowing to the MU-200C. To turn off the power completely, turn off the MU-200C.

BRILLIANCE control: Adjusts display brilliance. In some instances brilliance is controlled from the equipment connected (for example, FCV-1200 series).

LED: Shows display status:
Green: Display on
Red: Power save

5 MAINTENANCE, TROUBLESHOOTING



5.1 Maintenance

Routine maintenance

Regular maintenance is important for good performance. Check the following on a regular basis to keep the equipment in good operating condition.

- Check that the connectors at the rear of the display unit are tightly fastened.
- Check the ground wire and ground terminal for rust. Clean if necessary. Confirm that the ground wire is tightly fastened.
- Do not use chemical cleaners to clean any part of the display unit – they can remove paint and markings.
- Wipe the LCD carefully to prevent scratching, using tissue paper and an LCD cleaner. To remove dirt or salt deposits, use an LCD cleaner, wiping slowly with tissue paper so as to dissolve the dirt or salt. Change paper frequently so the salt or dirt will not scratch the LCD. Do not use solvents such as thinner, acetone or benzene for cleaning.

Fuse replacement

The 3 A 250 V fuse on the rear panel protects the equipment from internal fault and overvoltage. If the fuse blows, find the cause before replacing it. If the fuse blows again after replacement, request service.



5.2 Troubleshooting

The table below provides troubleshooting procedures to use when no picture appears. If you cannot restore the picture, do not attempt to check inside the equipment – there are no user serviceable parts inside. Refer any work to a qualified technician.

Troubleshooting table

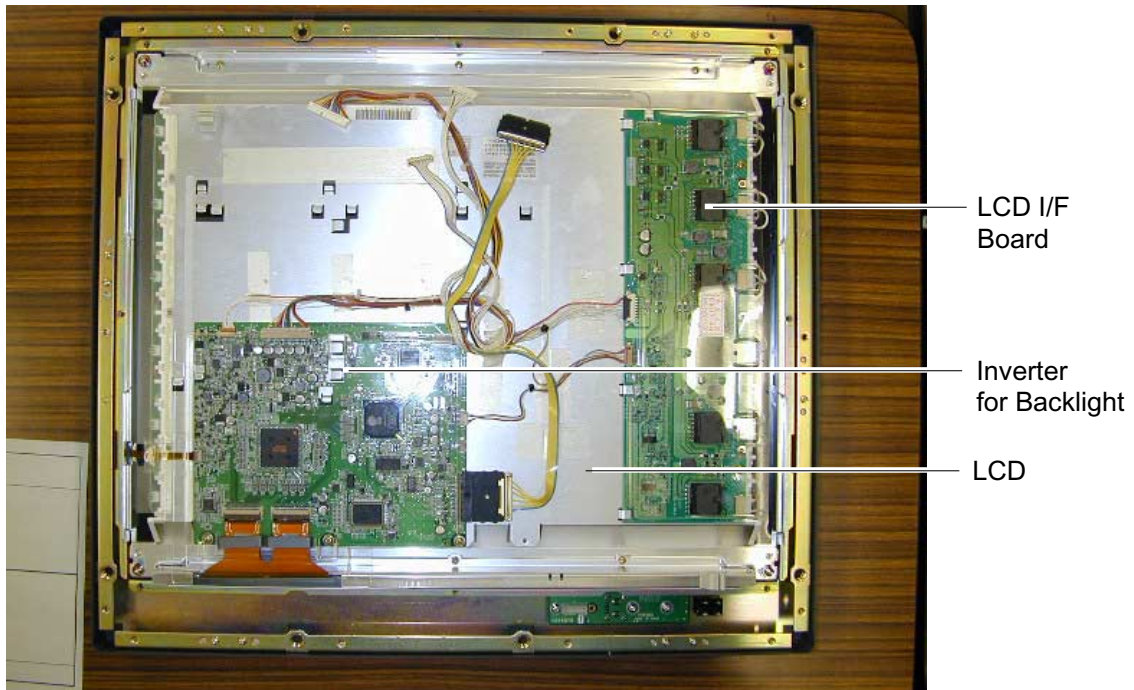
Reason for no picture	Remedy
Ship's mains voltage is too high.	Check voltage.
Fuse has blown.	Replace fuse.
Cable between MU-200C and external equipment has loosened.	Refasten cable.
Power cable has loosened.	Refasten cable.

APPENDIX

Parts Location



Display unit, rear cover removed



Note: LCD assy. manufactured by NEC (Nippon Electronics Corporation).

Display unit, rear cover removed, LCD assembly

Parts List

This equipment contains complex modules in which fault diagnosis and repair down to component level are not practical (IMO A.694(17)/8.3.1. Only some discrete components are used. FURUNO Electric Co. Ltd. believes identifying these components is of no value for shipborne maintenance; therefore, they are not listed in this manual. Major modules can be located on the parts location photo on page AP-1.

FURUNO

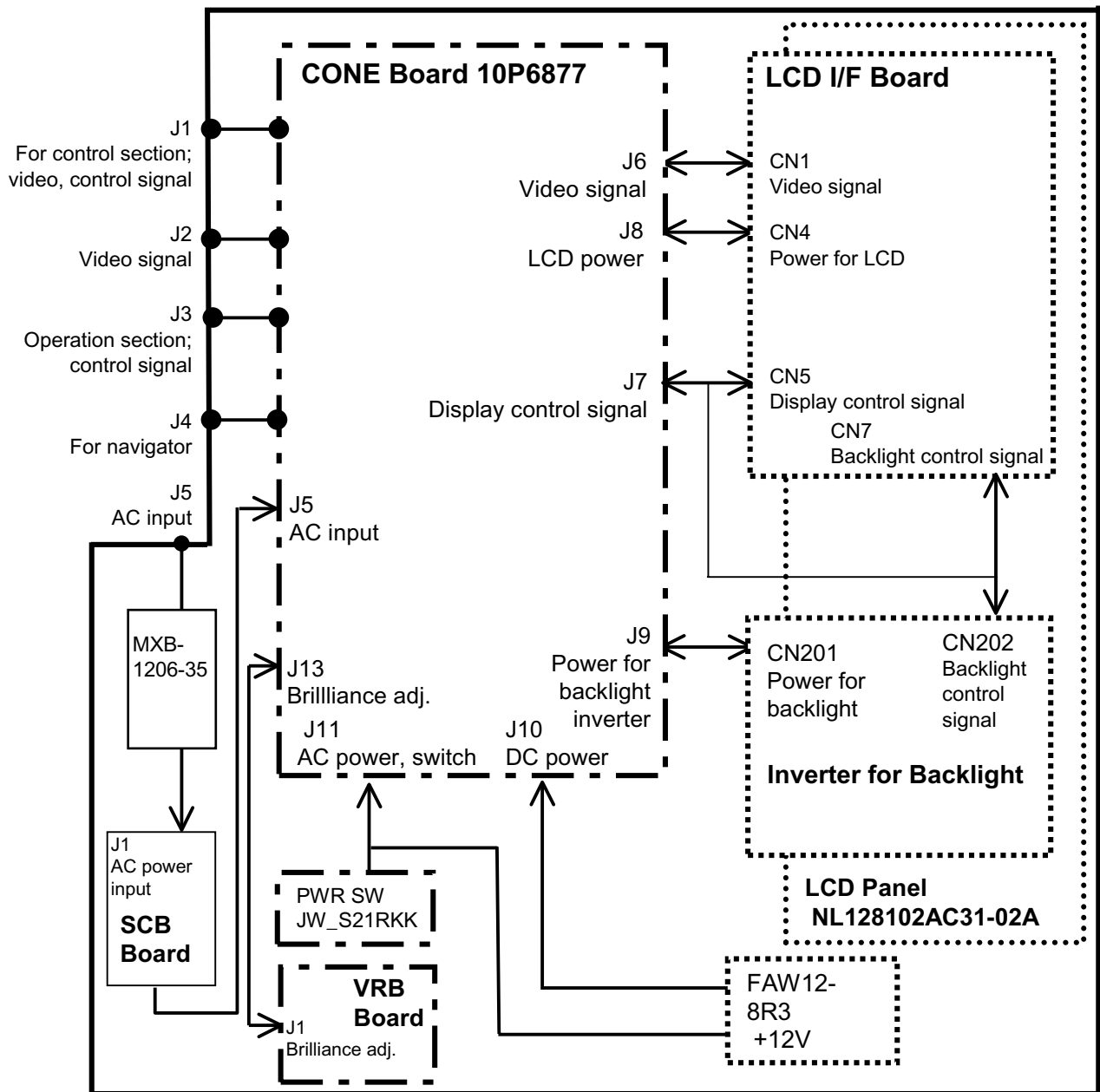
ELECTRICAL PARTS LIST

Dec. 2001

Model	MU-200C
Unit	MU-200C DISPLAY UNIT
Ref.Dwg.	Page
Blk.No.	

SYMBOL	TYPE	CODE No.	REMARKS	SHIPPABLE ASSEMBLY
PRINTED CIRCUIT BOARD				
	10P6878, VRB	001-414-610		X
	10P6879, SCB	001-414-620		X
	10P6877, CONE	001-414-630		X
ASSEMBLY				
	MU-200C	001-414-680	LCD	X
	MU-200C	001-414-650	FILTER	X

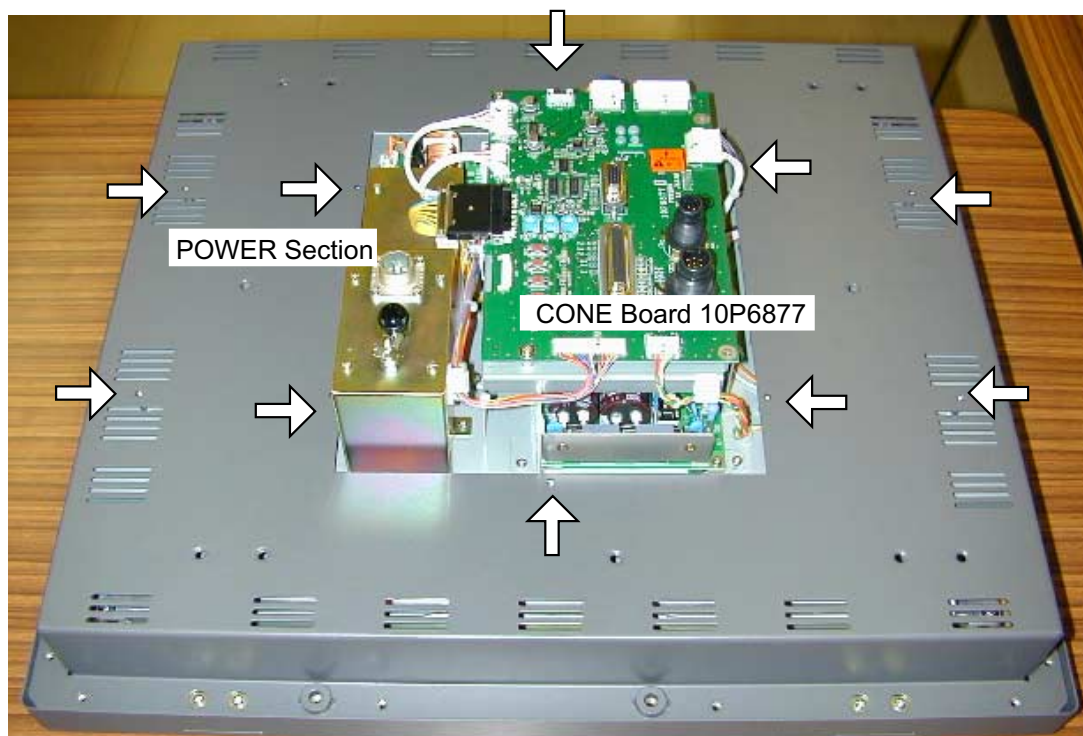
Interconnection Diagram



Modification for Switching from Landscape to Portrait Orientation

To use the MU-200C with the FCV-1200 series, it is necessary to turn the LCD assembly 180°.

1. Place the display unit on a workbench with the LCD side down.
2. Unfasten ten screws, four sets of connector spacers, and two nuts of waterproofing connectors to remove the cover near the power section and connectors.



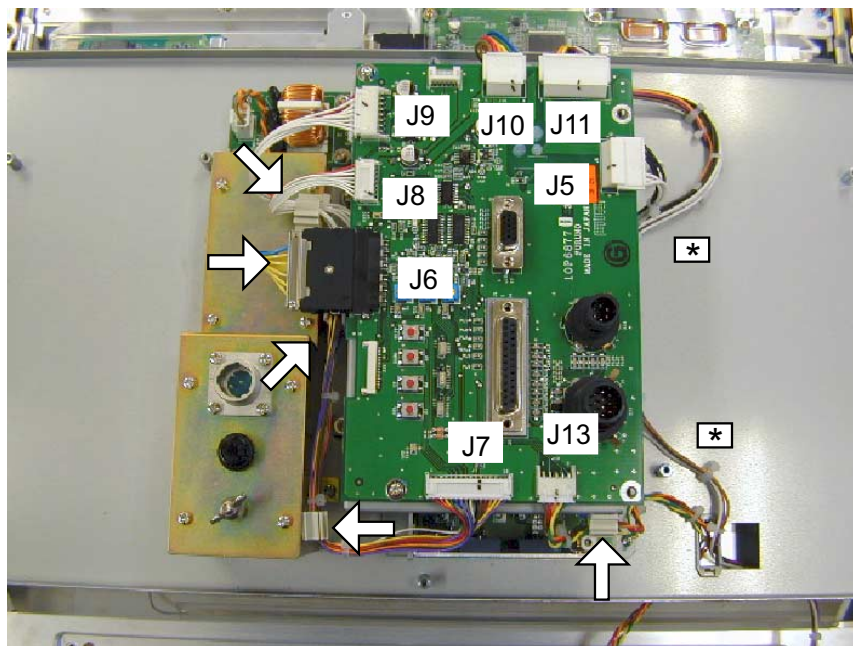
Display unit, rear view

3. Unfasten 14 screws to detach the rear cover.



Display unit, rear view

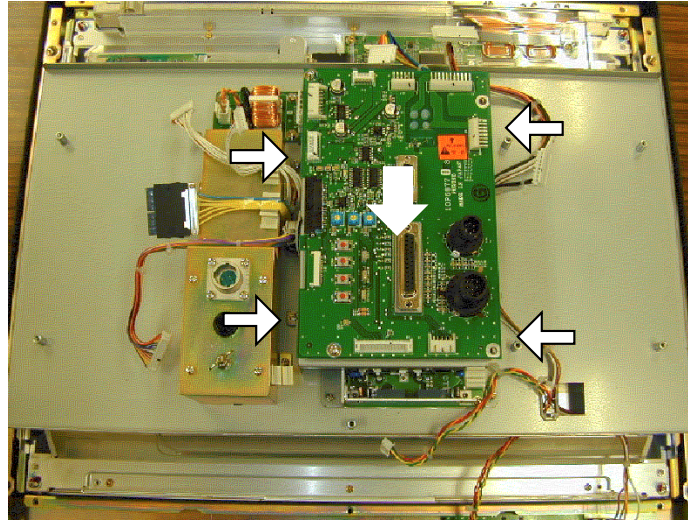
4. Release the cables from the clamps marked with the arrows in the figure below.



* Do not release the cable from the clamp near the power assy. chassis.

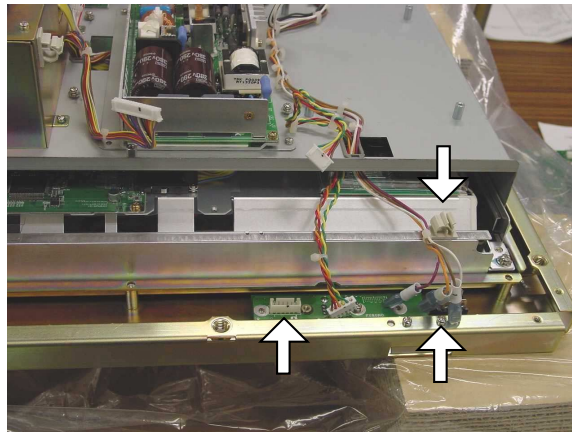
Power section/CONE board assembly 10P6877

5. Unfasten the four screws marked with the arrows in the figure below. Slide the CONE board assy. (10P6877) in the direction of the largest white arrow in the figure below to dismount it.



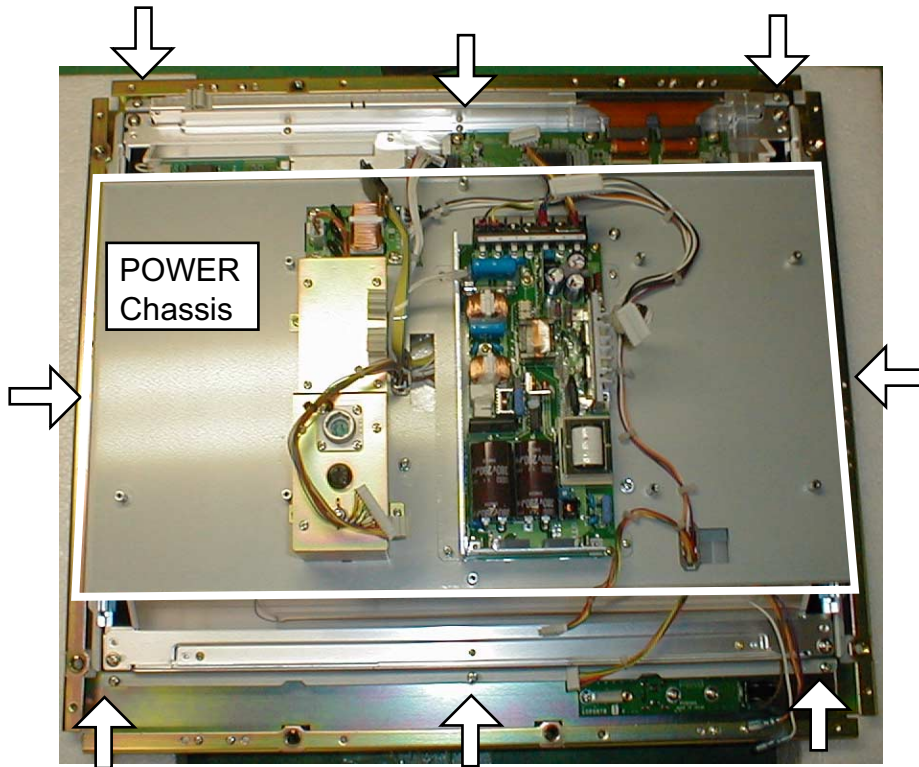
Power section/CONE board assy. (10P6877)

6. Disconnect the connectors marked with arrows, four power switch tab terminals and cable from CK clamp.

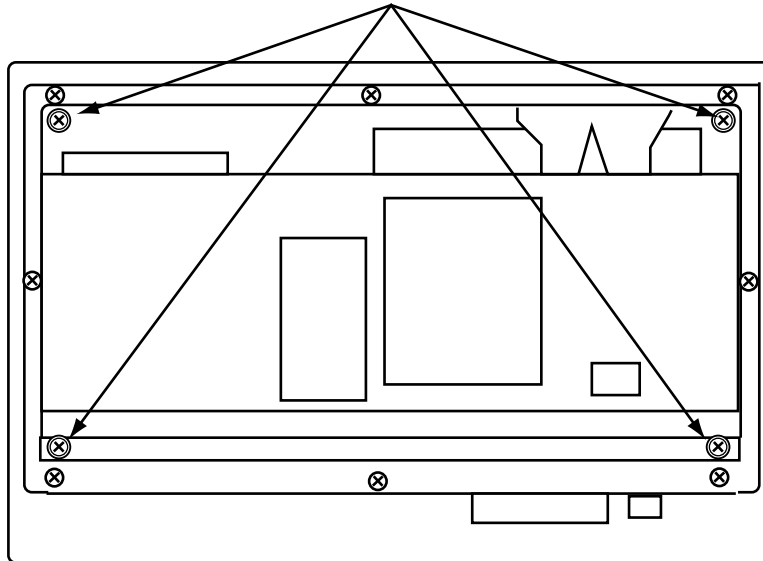


Power assembly

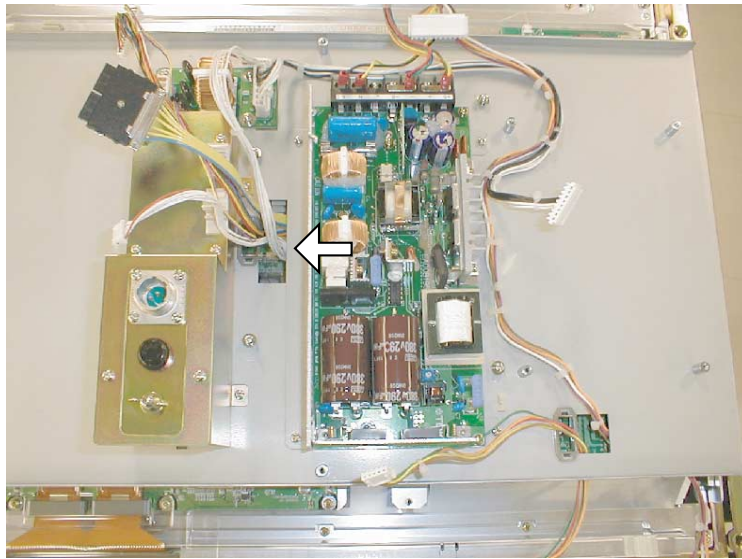
7. Unfasten eight screws marked with arrows in the figure below.



Do not loosen screws marked in red.
Doing so will allow dust to enter
between the LCD and filter.



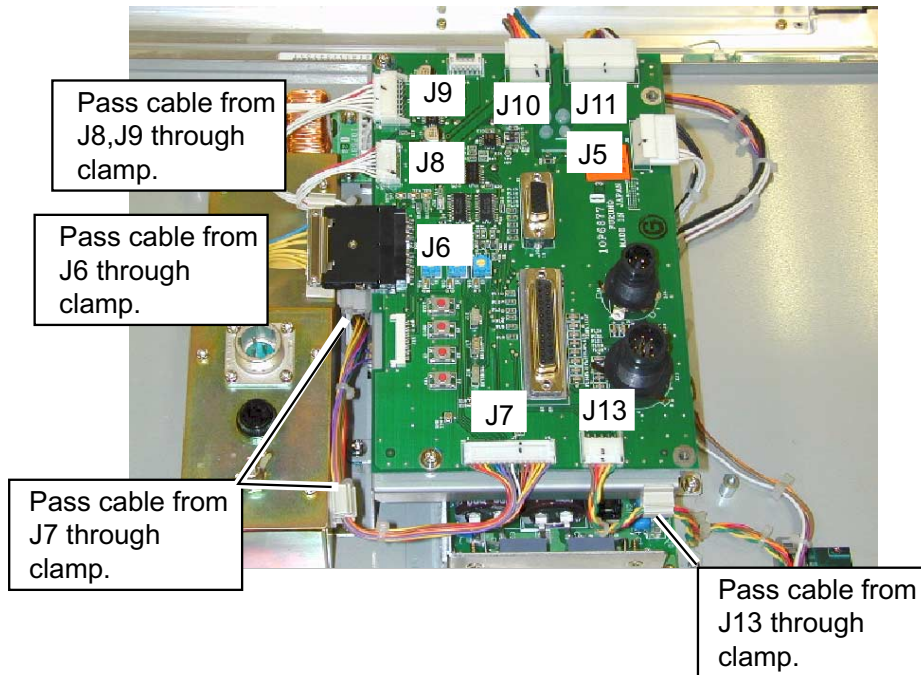
8. Turn the LCD assembly 180°.
9. Turn the power chassis 180°.



LCD assembly

10. Fasten the LCD assy. with the eight screws removed at step 7.
11. Fix the CONE Board (10P6877) with the four screws removed at step 5. (Torque: 0.78 ± 0.08 Nm; 8 ± 0.08 kgm)

12. Connect all connectors on the CONE Board (10P6877).



CONE Board (10P6877)

13. Fix the cable marked with a white arrow in the figure below with the clamp. Connect the power connector (marked with gray arrow) to J1 on the pcb 10P3879: 1, Brown; 3, Orange; 4, Purple, 6, White.



Display unit, rear view

14. Fix the rear cover with 14 screws (M4X8). (Torque: 1.47 ± 0.15 Nm; 15 ± 1.5 kgm)
15. Temporarily fasten the cover near the power section/connectors with 10 screws (M3X8).
16. Fix four connector spacers. (Torque: 0.39 ± 0.04 Nm; 4 ± 0.4 kgm)
17. Fasten inner six screws (M3X8) for the cover near power section/connectors. (Torque: 0.78 ± 0.08 Nm; 8 ± 0.8 kgm)
18. Fasten two waterproofing nuts. (Torque: 0.76 ± 0.02 Nm; 7.8 ± 0.2 kgm)
19. Fasten the remaining four screws for the cover near the power section/connectors. (Torque: 0.78 ± 0.08 Nm; 8 ± 0.8 kgm)
20. Attach FURUNO logo seal to top left corner of the display unit.

SPECIFICATIONS OF MULTI-PURPOSE LCD DISPLAY MU-200C

1. GENERAL

- 1.1 Display 20.1 inch color LCD, 399.4 x 319.5 mm
- 1.2 Brightness 200 cd/m² or more
- 1.3 Resolution VGA (640 x 480), SXGA (1280 x 1024)
- 1.4 Viewing Angle 160° (left/right 80°, up/down 80°)
- 1.5 Input Signal RGB: 0.7 Vp-p to 3.0 Vp-p, Synchronization: TTL level

2. POWER SUPPLY

- 2.1 Rated Voltage 100-240 VAC: 1.2-0.6 A, 1 phase, 50-60 Hz

3. ENVIRONMENTAL CONDITION

- 3.1 Ambient Temperature 0°C to +50°C
- 3.2 Relative Humidity 95% at 40°C
- 3.3 Waterproofing IPX0
- 3.4 Vibration IEC 60945

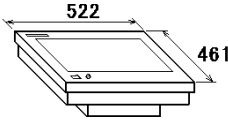
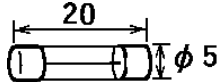

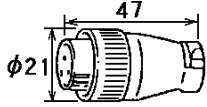
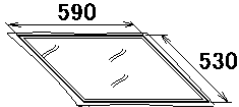
4. COATING COLOR

- 4.1 Main Unit N3.0

PACKING LIST

10CR-X-9851 -2 1/1

MU-200C

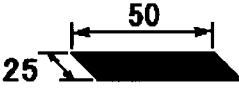
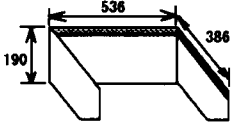
NAME	OUTLINE	DESCRIPTION/CODE No.	Q'TY
ユニット UNIT			
20.1型カラ-LCD表示器 MULTI-PURPOSE LCD DISPLAY		MU-200C-H-AC 000-012-619	1
予備品 SPARE PARTS SP10-02803			
ヒューズ FUSE		FGMB 3A 250V 000-145-721	2
付属品 ACCESSORIES FP10-02501			
ロゴシート LOGO SEAL		10-075-1052-0 100-294-900	1
工事材料 INSTALLATION MATERIALS CP10-05001			
コネクタ (SRCN) CONNECTOR		SRCN6A13-3S 000-508-665	1
その他工材 OTHER INSTALLATION MATERIALS			
装備用型紙 TEMPLATE		10-075-1171-0 100-294-600	1

(略図の寸法は、参考値です。 DIMENSIONS IN DRAWING FOR REFERENCE ONLY.)

PACKING LIST

10CR-X-9852 -0 1/1

MU-200C

NAME	OUTLINE	DESCRIPTION/CODE No.	Q'TY
付属品	ACCESSORIES	FP10-02612	
フアスタ HOOK LOOP FASTENER		10-075-1093-0 100-296-870	9
フト (ヨコ) HOOD		10-075-1191-1 100-294-651	1

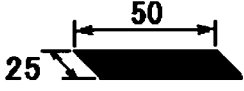
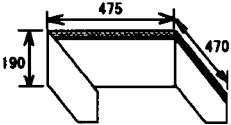
(略図の寸法は、参考値です。 DIMENSIONS IN DRAWING FOR REFERENCE ONLY.)

G2026-Z02-A

PACKING LIST

10CR-X-9853 -0 1/1

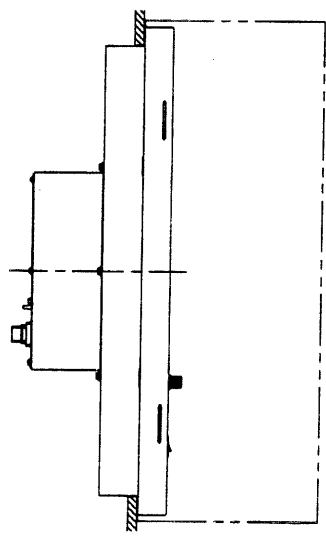
MU-200C

NAME	OUTLINE	DESCRIPTION/CODE No.	Q'TY
付属品 ACCESSORIES		FP10-02613	
ファスター HOOK LOOP FASTENER		10-075-1093-0 100-296-870	9
フート (フタ) HOOD		10-075-1192-1 100-294-661	1

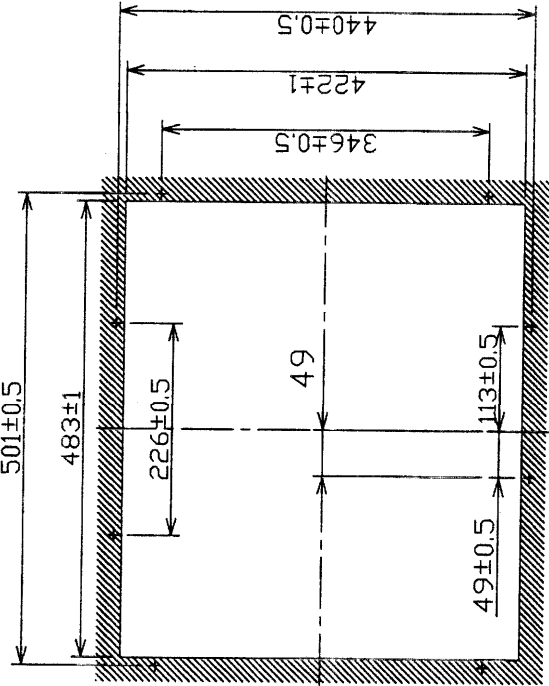
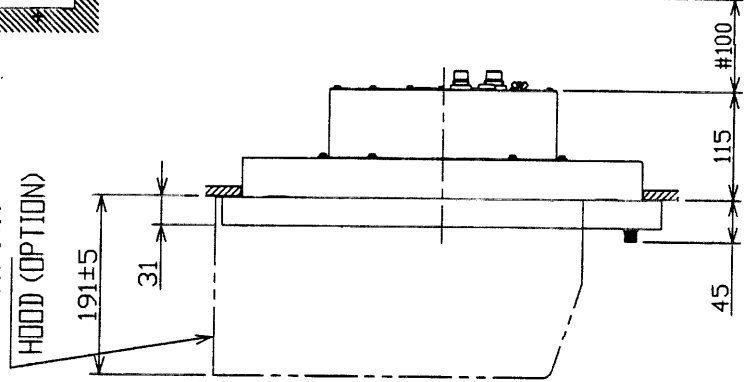
(略図の寸法は、参考値です。 DIMENSIONS IN DRAWING FOR REFERENCE ONLY.)

C2026-Z03-A

取付穴寸法図
CUTOUT DIMENSIONS

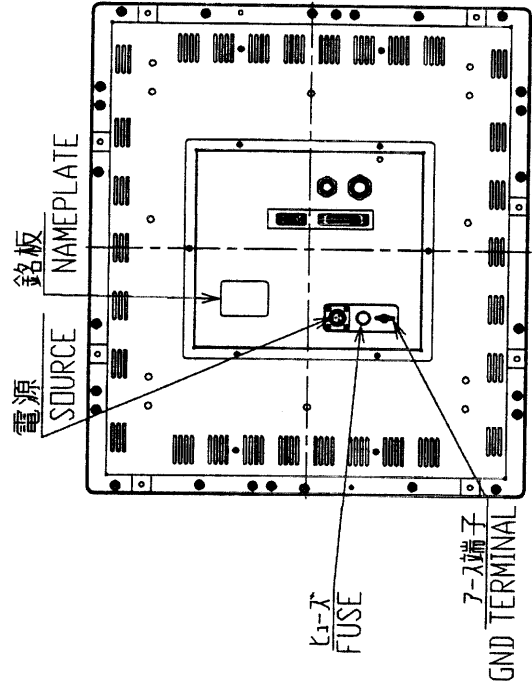


フード (オプション)
HOOD (OPTION)



寸法区分 (mm) DIMENSION	公差 (mm) TOLERANCE
L ≤ 50	±1.5
50 < L ≤ 100	±2.5
100 < L ≤ 500	±3
500 < L ≤ 1000	±4

表 1 TABLE 1

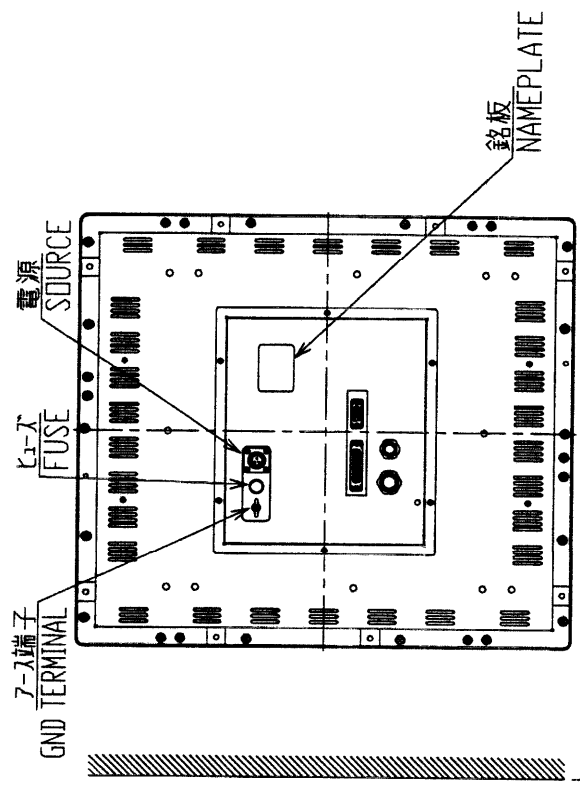
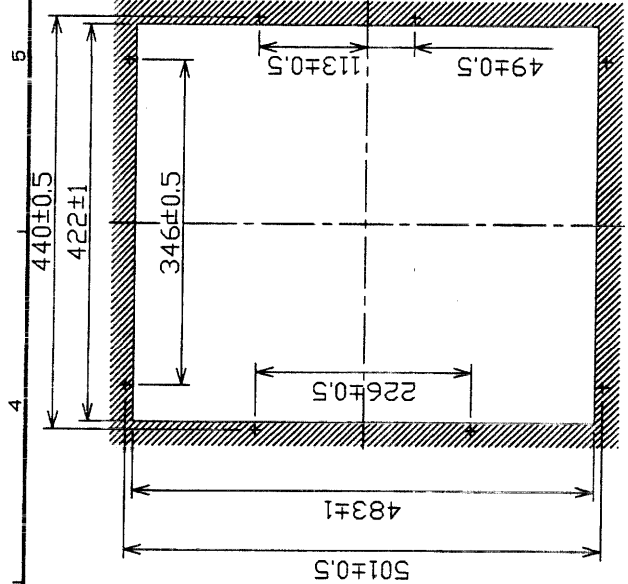


- 注 記
- 1) #印寸法は最小サービス空間寸法とする。
 - 2) 指定外の寸法公差は表 1 による。
 - 3) 取付用ネジは M5×30 トラスタップピンネジを使用のこと。
- NOTE
1. # INDICATED SERVICE CLEARANCE.
 2. TABLE 1 INDICATES TOLERANCE OF DIMENSIONS.
 3. USE M5X30 TAPPING SCREWS FOR FIXING THE UNIT.

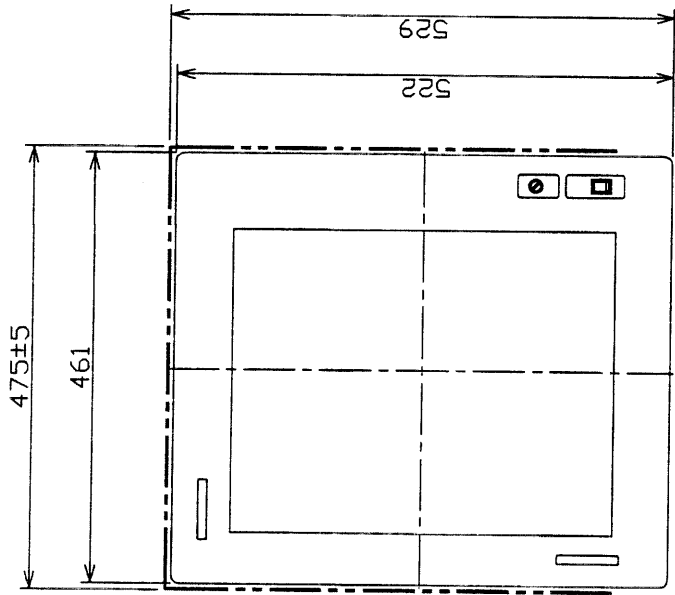
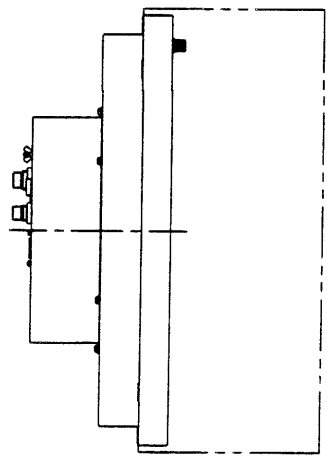
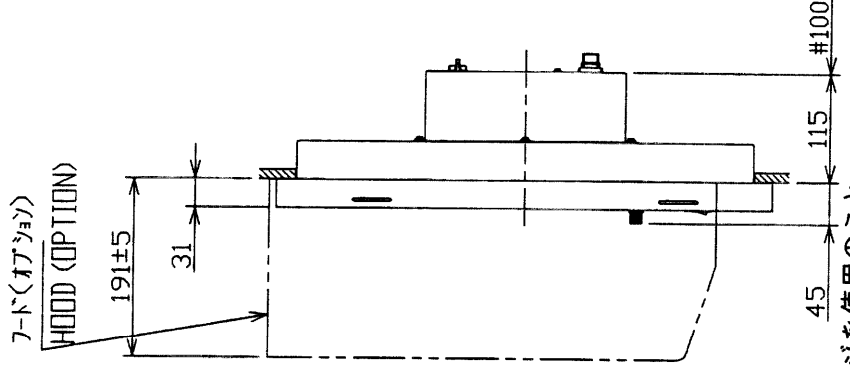
DRAWN Dec. 5 '01 I. YAMASAKI	TITLE MU-200C
CHECKED Dec. 5 '01 S. Ishikawa	名称 表示器 (構型)
APPROVED Dec. 5 '01 S. Ishikawa	外寸図
SCALE 1/8	NAME MONITOR UNIT (LANDSCAPE TYPE)
DWG No. C2026-601-B	OUTLINE DRAWING

寸法区分 (mm) DIMENSION	公差 (mm) TOLERANCE
L ≤ 50	± 1.5
50 < L ≤ 100	± 2.5
100 < L ≤ 500	± 3
500 < L ≤ 1000	± 4

表 1 TABLE 1

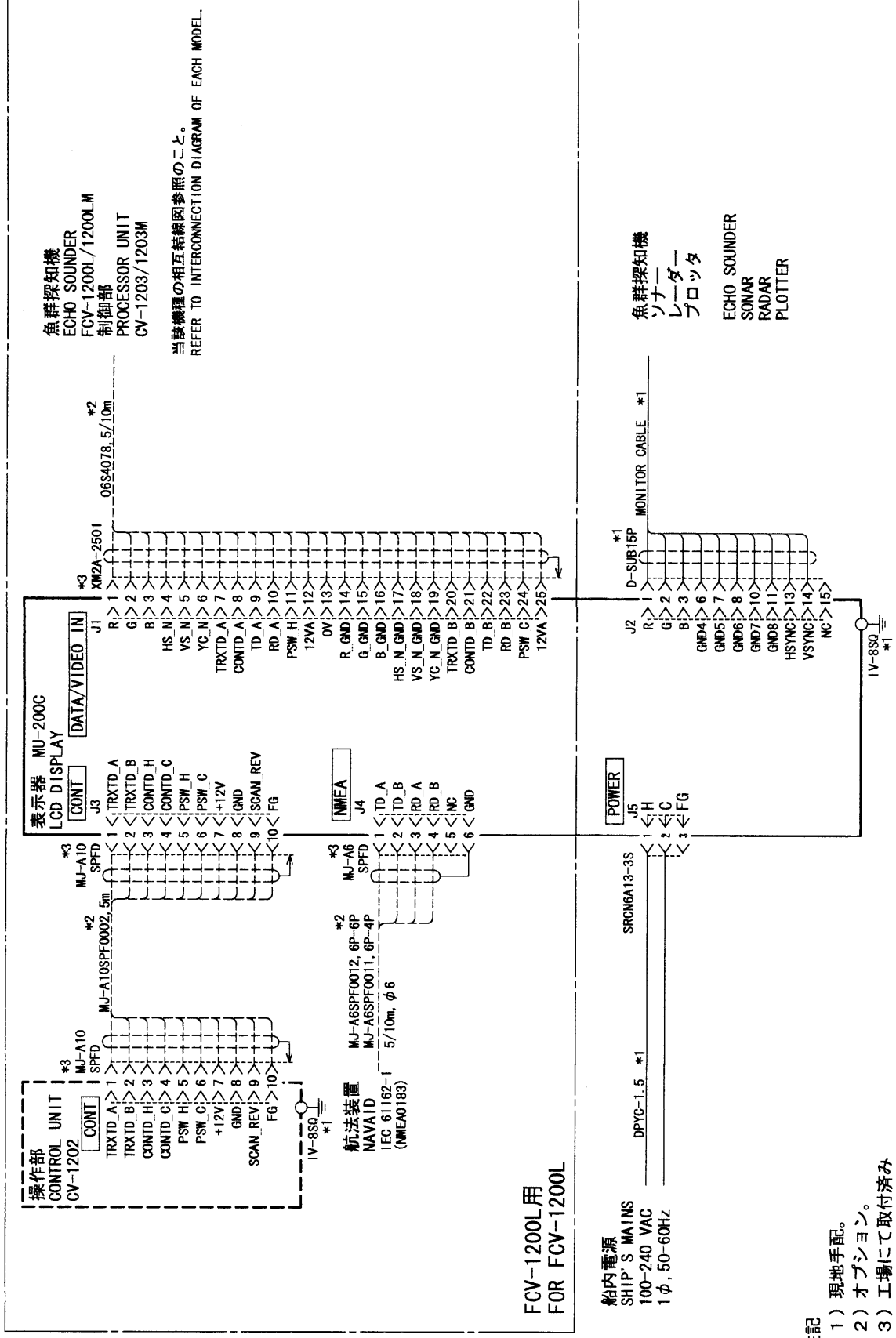


取付穴寸法図
CUTOUT DIMENSIONS



- 注記 1) #印寸法は最小サービスクリアランスとする。
 2) 指定外の寸法公差は表1による。
 3) 取付用ネジはM5×30トラスタップネジを使用のこと。
- NOTE 1. # RECOMMENDED SERVICE CLEARANCE.
 2. TABLE 1 INDICATES TOLERANCE OF DIMENSIONS.
 3. USE M5x30 TAPPING SCREWS FOR FIXING THE UNIT.

DRAWN Dec. 5 '01 T. YAMASAKI	TITLE MU-200C
CHECKED Dec. 5 '01 S. Goshima	名称 表示器 (縦型)
APPROVED Dec. 5 '01 S. Goshima	外寸図
SCALE 1/8	NAME MONITOR UNIT (PORTRAIT TYPE)
DWG No. C2026-G02-B	10-075-1116-0
	OUTLINE DRAWING

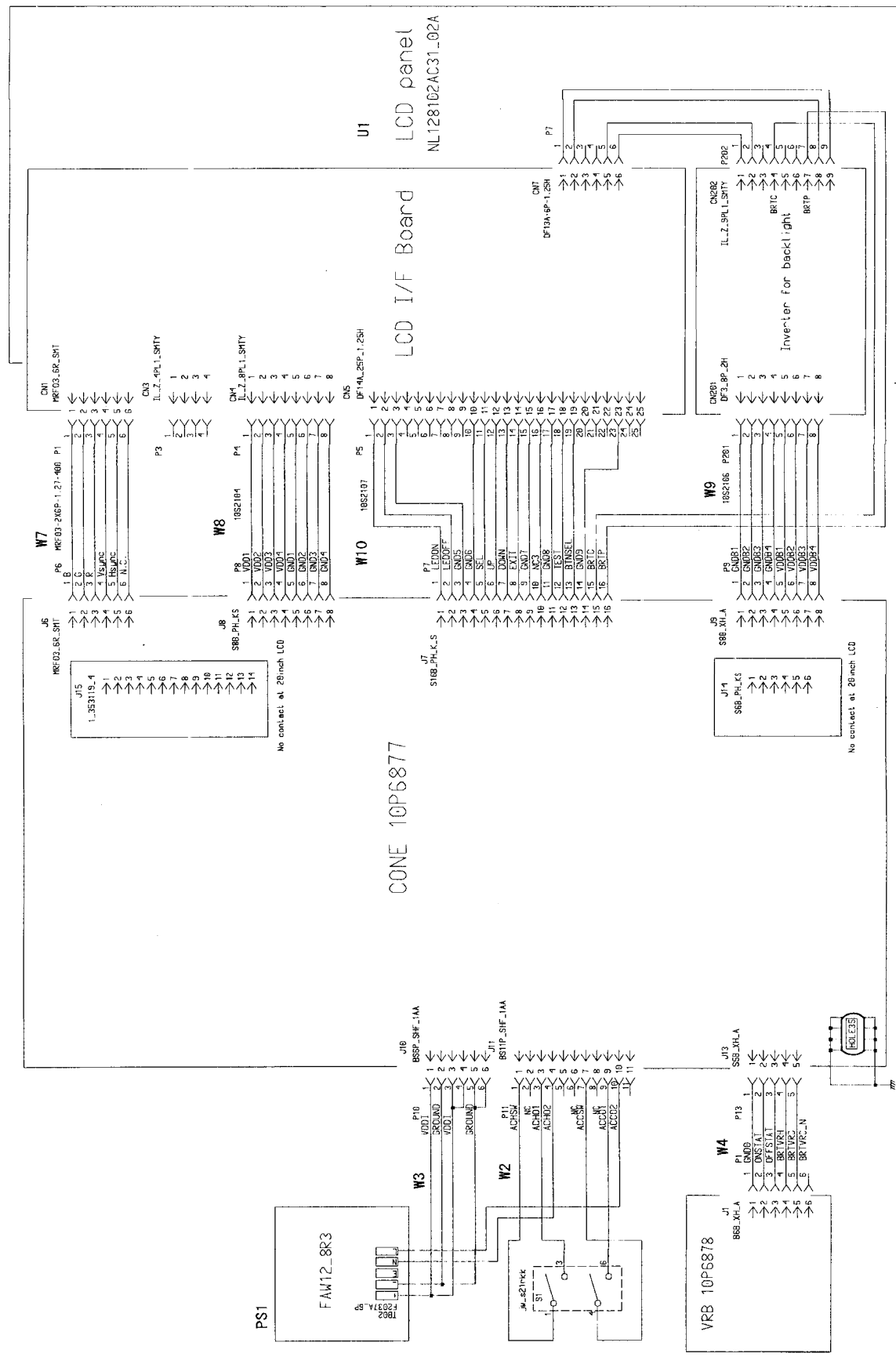


FCV-1200L用
FOR FCV-1200L

- 注記
- *1) 現地手配。
 - *2) オプション。
 - *3) 工場にて取付済み

- NOTE
- *1. LOCAL SUPPLY.
 - *2. OPTION.
 - *3. FITTED AT FACTORY.

DRAWN	28.02	T. YAMASAKI	TITLE	MU-2000
CHECKED			名称	20型カラーLCD表示器
APPROVED			NAME	相互結線図
DATE			NAME	MULTI-PURPOSE LCD DISPLAY
FIG. No.		C2026-001-B		INTERCONNECTION DIAGRAM

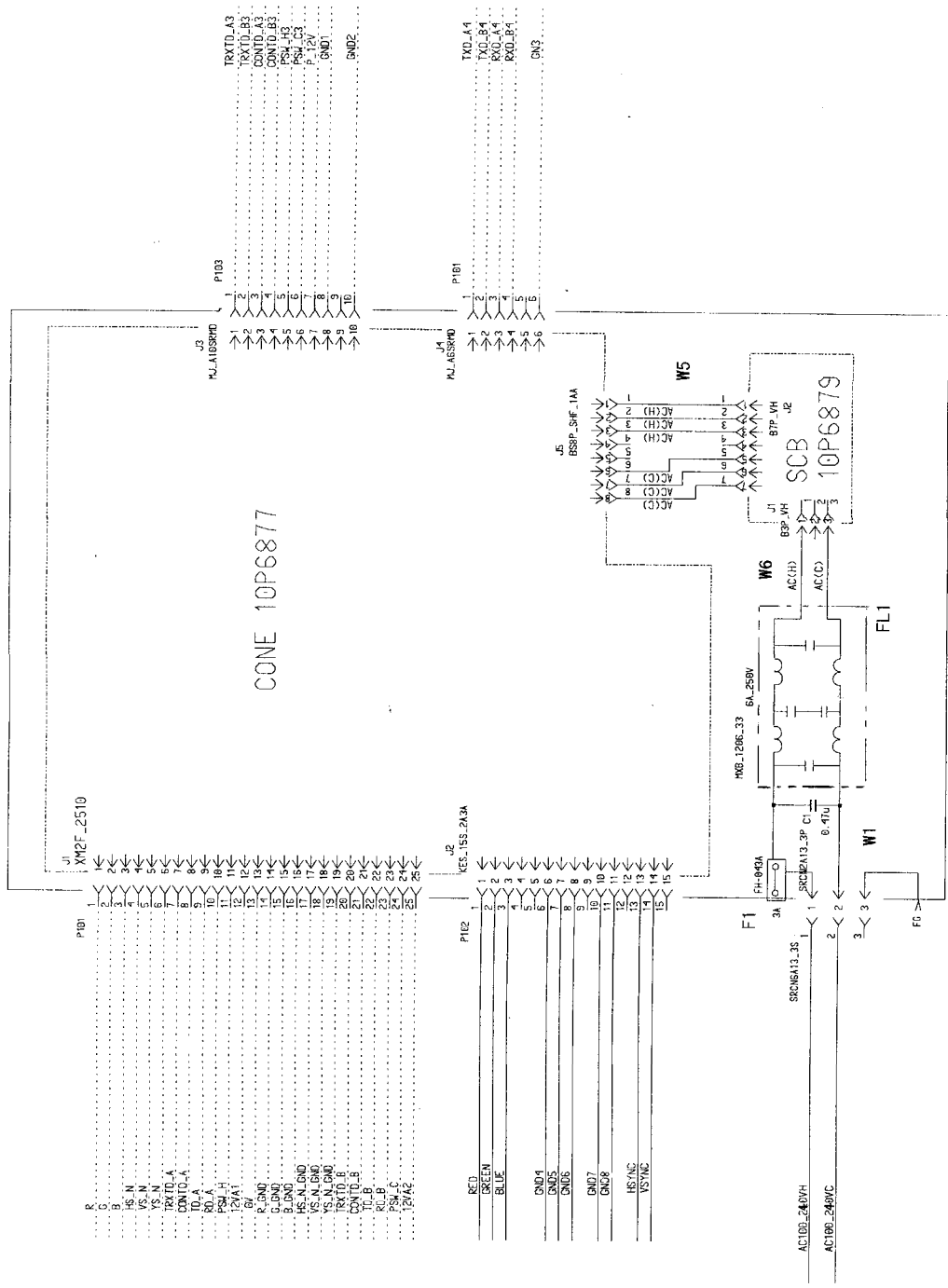


CONE 10P6877

DRAWN	07/12/26	T. YAMASAKI	TYPE	MU-200C (1/2)
CHECKED			名称	表示部
APPROVED	07/27/26	T. K.	回路図	
SCALE	1/1		NAME	MONITOR UNIT
			BLOCK No.	
			Dwg. No.	10-075-0003-2

SCHMATIC DIAGRAM

FURUNO ELECTRIC CO., LTD.



DRAWN	01/12/26 T. Yamashita	TYPE	MU-150C/200C (2/2)
CHECKED		名称	表示部
APPROVED		回路図	回路図
SCALE	1/1	NAME	MONITOR UNIT
		BLOCK No.	
Dwg. No.	C2026-K02-D		10-075-0002-2
SCHEMATIC DIAGRAM			