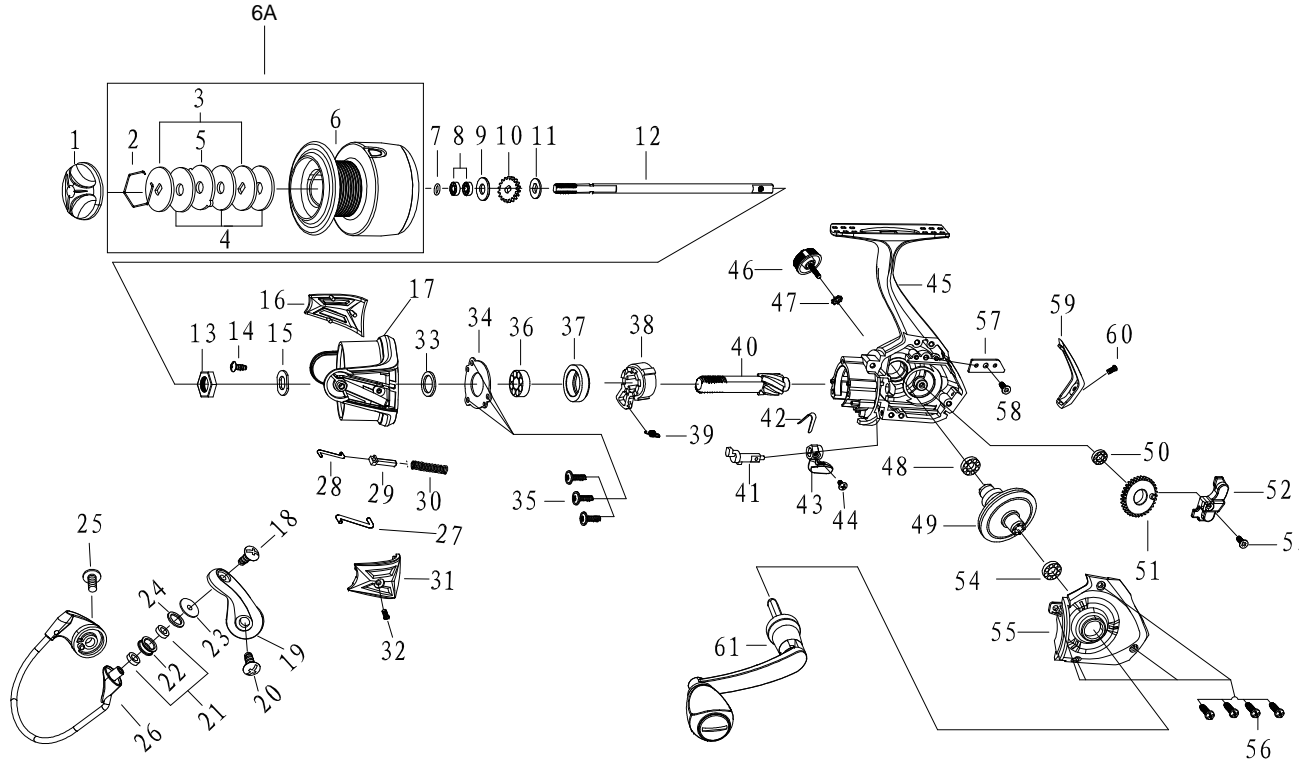




Model: KLXS2 5000
KLXS2 6000

KLXS2 5000-6000 00



ITEM	DESCRIPTION	SAP #		ITEM	DESCRIPTION	SAP #		ITEM	DESCRIPTION	SAP #		ITEM	DESCRIPTION	SAP #	
		5000	6000			5000	6000			5000	6000			5000	6000
1	DRAG KNOB ASSY	1512429		16	ROTOR COVER	1512434		32	SCREW	1361974		48	BUSHING	1287044	
2	RETAINER RING	1287009		17	ROTOR	1512435	1512436	33	WASHER	1287034		49	DRIVE GEAR	1287047	
3	KEY WASHER	1287010		18	SCREW	1260110		34	BALL BEARING RETAINER	1288410		50	BALL BEARING	1260084	
4	DRAG WASHER	1287011		19	BAIL ARM	1512437		35	SCREW	1260089		51	O/S GEAR	1512445	
5	EARED WASHER	1287012		20	SCREW	1260110		36	BALL BEARING	1260087		52	SLIDER	1287046	
6	SPOOL SUB-ASSY	1512430	1512431	21	BUSHING	1260113		37	BALL BEARING HOLDER	1287405		53	SCREW	1271427	
6A	SPOOL ASSY	1515353	1515354	22	LINE ROLLER	1362000		38	ONE WAY CLUTCH	1288468		54	BUSHING	1287044	
7	O RING	1512432		23	WASHER	1287007		39	CLUTCH SPRING	1260127		55	BODY COVER	1512446	1512447
8	BALL BEARING	1512433		24	LINE ROLLER WASHER	1260057		40	PINION GEAR	1287039		56	SCREW	1260089	
9	SPOOL CLICK RETAINER	1260050		25	SCREW	1260110		41	ANTI-REVERSE LEVER	1260098		57	O/S SLIDER RETAINER	1287648	
10	CLICKER GEAR	1287018		26	BAIL ASSY	1512438	1512439	42	ANTI-REVERSE SWITCH SPRING	1260101		58	SCREW	1260122	
11	CLICKER GEAR WASHER	1362013		27	TRIP PLUNGER	1362021	1393700	43	ANTI-REVERSE LEVER	1512441		59	REAR COVER	1512630	
12	MAIN SHAFT	1393688		28	BAIL ARM GUIDE	1362019		44	SCREW	1260100		60	SCREW	1260119	
13	ROTOR NUT	1287023		29	BAIL TRIGGER	1260063		45	BODY ASSY	1512442	1512443	61	HANDLE ASSY	1512448	
14	SCREW	1260122		30	BAIL SPRING	1362020		46	HANDLE SCREW CAP	1512444					
15	ROTOR NUT WASHER	1287024		31	ROTOR COVER	1512440		47	WASHER	1393664					