

# Wally Marshall™ SIGNATURE SERIES

WSP50, WSP75, WSP100

Wally Marshall Signature Series Spinning Reels are designed for  
**tough lightweight performance.**

Wally Marshall™  
SIGNATURE SERIES

## Reel Specifications

Model	Weight	Ball Bearings	Gear Ratio	Line Line Capacity	IPT
WSP50	6.0 OZ.	5 +1	5.2:1	150/4	23"
WSP75	6.2 OZ.	5 +1	5.2:1	120/6	23.5"
WSP100	6.7 OZ.	5 +1	5.2:1	120/8	24"

### FEATURES:

- Rugged graphite body and rotor
- Double anodized aluminum spool with gold accent lines
- Skeletal rotor system
- Strong and balanced aluminum bail
- Thin compact gear box
- Quality seven bearing system
- Zero-Reverse one-way clutch bearing
- Adjustable for right or left hand retrieve

**6** Bearing System

## Maintenance and Care

While applying lubricant to your Wally Marshall™ reel, avoid using multi-purpose oil. Use lightweight silicone based oils or greases made for fishing reels. Apply oil to all bearings, the crank shaft, and the worm gear. Apply grease to the bushings, pinion gears, drive gears, and crank gears.

After usage your reel should be inspected for dirt or sand and cleaned if excessive buildup is present. If your reel has come in contact with saltwater it is important to flush all parts with water, dry and re-lubricate your reel. Through diligent cleaning and maintenance your Wally Marshall™ reel will provide you with years of reliability and sound performance.

For professional cleaning and maintenance send your reel postage prepaid to:  
Lew's 3031 N. Martin Ave.  
Springfield, MO 65803  
Phone: 877-470-5397  
FAX: 1-417-881-5387  
lews.com

## One Year Limited Warranty

Wally Marshall™ Warrants its products<sup>1</sup> to withstand normal<sup>2</sup> use for the purpose designed and intended when manufactured for a period of one (1) year from the original retail sale date to the original retail consumer. Wally Marshall™ will at its option repair or replace<sup>3</sup> Wally Marshall™ products when required for the warranty period and return<sup>4</sup> the product to the owner at no additional<sup>5</sup> cost to the owner.

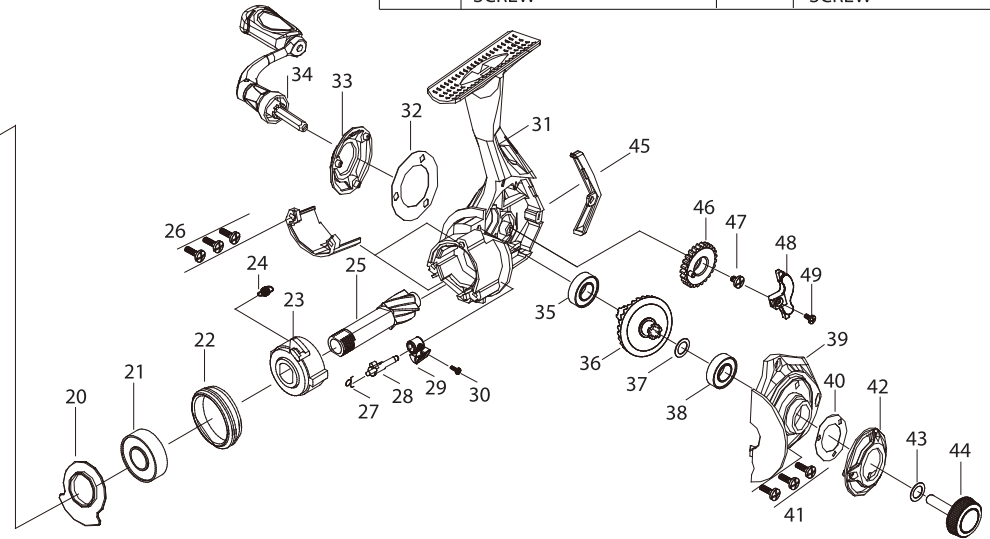
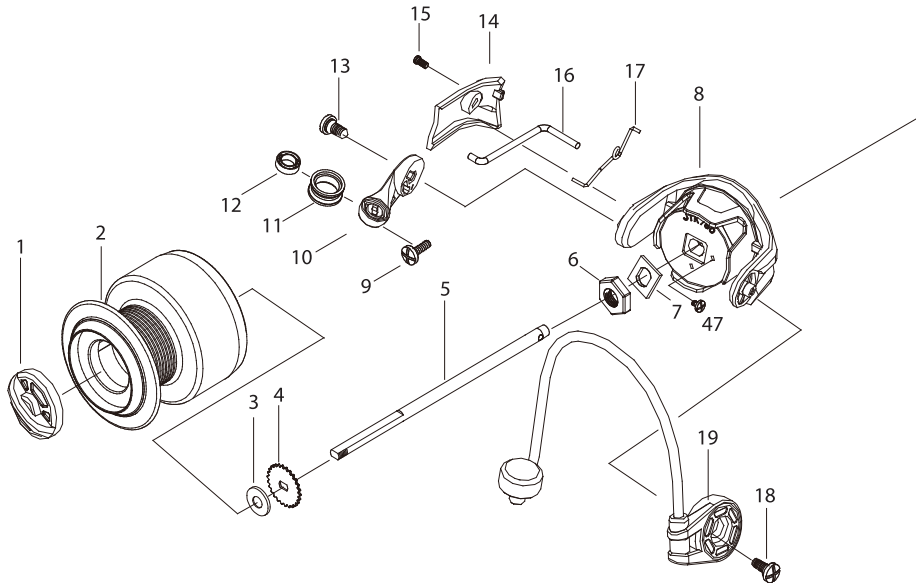
<sup>1</sup>Numerous products have been manufactured under variations of the Wally Marshall™ name and under the Wally Marshall™ Logo by multiple businesses over the past 50 years. This warranty is specifically for products manufactured on behalf of Wally Marshall™ of Springfield, Missouri USA since March 1, 2011. Wally Marshall™ products manufactured by or on behalf of other entities prior to March 1, 2011 are not covered by this warranty. In all circumstances, this Warranty is Limited in Value to the original retail value of the product and is limited to actual damage to the Wally Marshall™ product and only the Wally Marshall™ product. <sup>2</sup>Loss of a product, and loss/damage of a product or parts due to the attempted repair or servicing of a Wally Marshall™ product by any person or business other than Wally Marshall™ or Wally Marshall™ Authorized Warranty Service Agent, and damage caused by or resulting from abuse, misuse, lack of recommended maintenance, accident, acts of God, and shipping damages occurring in transit to Wally Marshall™ or Wally Marshall™ Authorized Agent are outside the scope of Wally Marshall™ Limited Warranty and will be repaired through Wally Marshall™ after warranty services at the expense of the consumer. <sup>3</sup>Any products replaced by Wally Marshall™ will be new or remanufactured by a Wally Marshall™ Authorized Agent with the same or next model upgrade product. <sup>4</sup>Wally Marshall™ will return warranted products to the consumer by reasonable means as determined by Wally Marshall™. <sup>5</sup>Express or expedited services are the responsibility of the consumer as is sending the product to Wally Marshall™ or Wally Marshall™ Authorized Agent, for Warranty Service. Wally Marshall™ and Wally Marshall™ Service Agents as authorized by Wally Marshall™ are the sole agents authorized to repair or replace Wally Marshall™ products under the terms of this warranty. Only written changes by an officer of Wally Marshall™ can alter the terms or conditions of this warranty.

This warranty gives you specific legal rights including additional rights extended by some states which do not allow certain exclusions and limitations. Any action brought against Wally Marshall™ for the purpose of settling a warranty dispute shall be brought and litigated in the State of Missouri, County of Greene.

# Wally Marshall™ SIGNATURE SERIES

## WSP50, WSP75, WSP100

For professional cleaning and maintenance  
send your reel postage prepaid to:  
Lew's 3031 N. Martin Ave.  
Springfield, MO 65803  
Phone: 877-470-5397  
FAX: 1-417-881-5387  
lews.com



KEY NO.	PARTS NAME	KEY NO.	PARTS NAME	KEY NO.	PARTS NAME
1	DRAG KNOB ASSEMBLY	12	PLASTIC BEARING	31	BODY
2	SPOOL ASSEMBLY	13	SCREW	32	CARBON CLOTH
3	WASHER	14	ROTOR CAP	33	BODY RING
4	CLICK GEAR	15	SCREW	34	HANDLE ASSEMBLY
5	MAIN SHAFT	16	BAIL TRIP SHAFT	35	BALL BEARING
6	ROTOR NUT	17	BAIL SPRING	36	DRIVE GEAR
7	WASHER	18	SCREW	37	WASHER
8	ROTOR	19	BAIL ASSEMBLY	38	BALL BEARING
9	SCREW	20	BALL BEARING RETAINER	39	BODY COVER
10	BALL ARM	21	BALL BEARING	40	CARBON CLOTH
11	LINE ROLLER	22	BALL BEARING HOLDER	41	SCREW
		23	ONE WAY CLUTCH BEARING	42	BODY COVER RING
		24	SPRING	43	WASHER
		25	PINION GEAR	44	HANDLE SCREW CAP
		26	SCREW	45	BODY CAP
		27	OWC BEARING SPRING	46	OSCILLATING GEAR
		28	ANTI-REVERSE LEVER	47	SCREW
		29	ANTI-REVERSE BUTTON	48	OSCILLATING SLIDER
		30	SCREW	49	SCREW