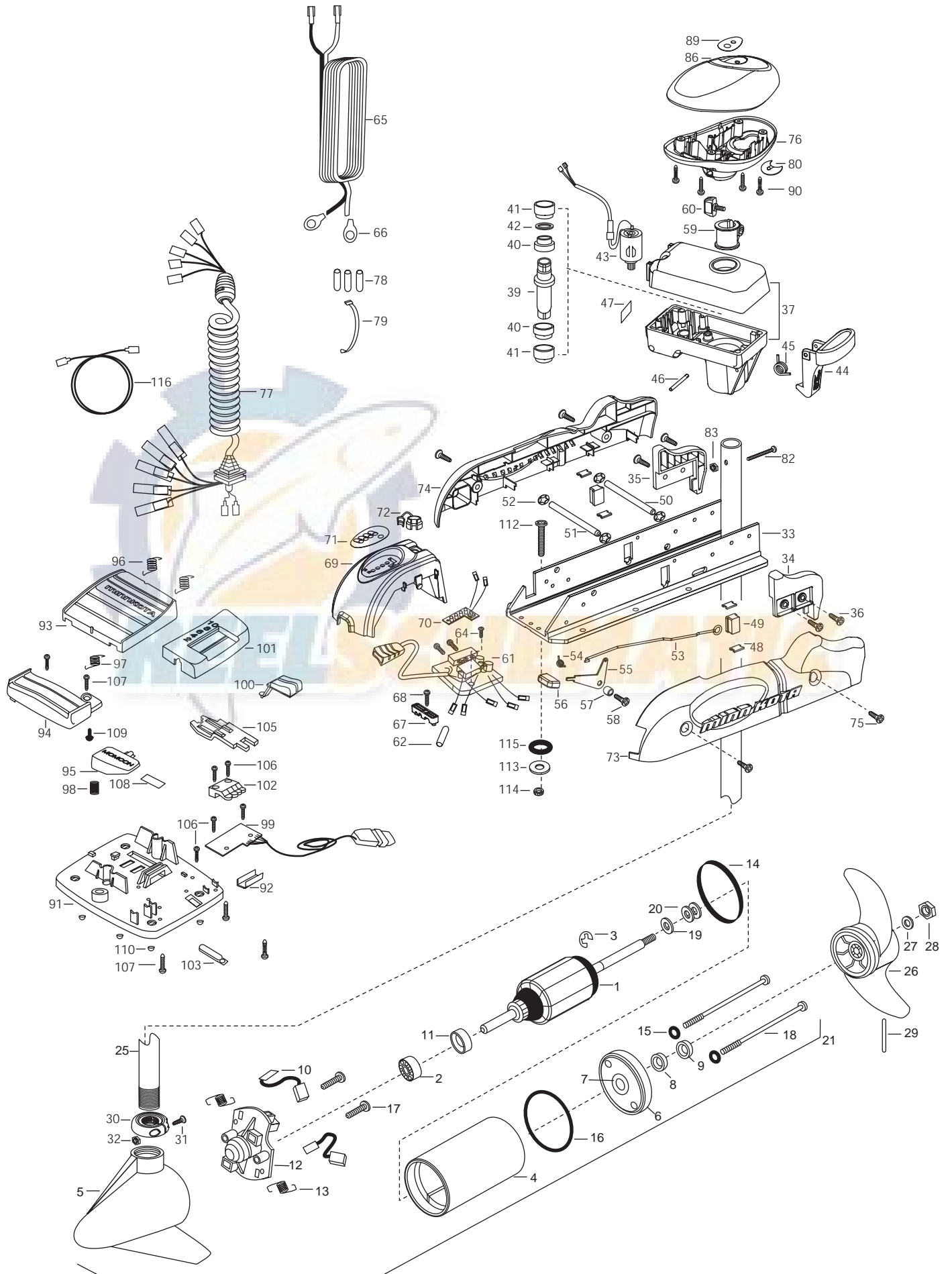


**55PD (& SONAR)**  
**55 LBS THRUST**  
**12 VOLT 45 AMPS**  
**48", 54", OR 60" SHAFT**



	1	92-100-013	ARMATURE ASSEMBLY 12V VARS TXT	37	2301845	DRIVE HOUSING PD/AP 2001	76	2302515	CONTROL BOX PD/AP
	2	140-010	BALL BEARING	■	2882011	BUSHING/ OUTSHAFT KIT	77	2991251	COIL CORD WSTRAIN RELIEF 54"
	3	788-015	RETAINING RING			(INCLUDES 39-42)		2991250	COIL CORD WSTRAIN RELIEF 48"
	4	431-101	HOUSING ASSEMBLY CENTER 3.62 TXT	*39	2302010	DRIVE HOUSING OUTPUT SHAFT		2991252	COIL CORD WSTRAIN RELIEF 60"
421-065	5	<del>421-165</del>	HOUSING BRUSH END 3.62 non-sonar	*40	2307304	BUSHING- INNER [2.EA]	78	2065400	WIRE INSULATOR-LGE 1-3/4 [3.EA]
		9421-165 or 9421-166	HOUSING SONAR 48" or 54"/60"	*41	2307305	BUSHING- OUTER [2.EA]	79	2256300	TIE WRAP-5" BLACK
	6	2-400-101	PLAIN END HOUSING ASSEMBLY 3.625	*42	2304603	O-RING	80	2224700	INSERT- PLUG
	7	144-049	BEARING - FLANGE (SERVICE ONLY)	43	2307045	MOTOR- DRIVE HOUSING HIGH SPD	82	2033400	SCREW-10-24 X 1-3/4 PPH Z/P
	8	880-003	**SEAL	44	2307205	LATCH HANDLE PD/AP	83	2013110	NUT-HEX 10-24 ZCP
	9	880-006	**SEAL WITH SHIELD	45	2302750	SPRING- LATCH TORSION PD/AP	86	2300235	CONTROL BOX COVER- POWERDRIVE
	10	188-036	BRUSH ASSEMBLY [2.EA]	46	2302607	PIN- DRIV-LOK GROOVE ZINC TYPE	89	2315661	DECAL- COVER 55PD
	11	725-050	BRUSH RETENTION- PAPER TUBE	47	2305514	DECAL-STOW/DEPLOY	90	2012100	SCREW-8-18 X 5/8 THD CUT [4.EA]
	12	738-036	BRUSH PLATE W/HOLDER	48	2305110	PAD-PIVOT SUPT [4.EA]	■	2774700	FOOT PEDAL ASSEMBLY
	13	975-040	SPRING - TORSION [2.EA]	49	2305101	PIVOT PAD- NEW MTR'L [2.EA]	91	2304511	FOOT PEDAL BASE
	14	337-036	**GASKET	50	2300500	PIN-LATCH	92	2308500	WEAR PLATE FOOT PDL
	15	701-008	**O-RING, THRU-BOLT [2.EA]	51	2300510	PIN-PIVOT	93	2304516	FOOT PEDAL-UPPER
	16	701-081	**O-RING	52	2013100	NUT-SPEED [4.EA]	94	2304520	FOOT PEDAL-LOWER
	17	830-007	SCREW-8-32 [2.EA]	53	2303612	ROD-RELEASE RT/AP S	95	2307210	LEVER MOM/CON-
	18	830-042	THRU-BOLT 10-32X8.83 [2.EA]	54	2302700	SPRING-RELEASE LEVER	96	2302730	SPRING-LONG-UPPER PEDAL [2.EA]
	19	990-067	WASHER- STEEL THRUST	55	2303710	LEVER-RELEASE	97	2302731	SPRING-SHORT-UPPER PEDAL
	20	990-070	WASHER - NYLATRON [2.EA]	56	2300101	RELEASE-KNOB	98	2302732	SPRING-LOWER PEDAL
	21	2099090	MOTOR ASSEMBLY 12V 3.62	57	2301700	SPACER-RELEASE LEVER	99	2304012	CONTROL BOARD ASSEMBLY-FT PDL
		2109090	MOTOR ASSEMBLY-SONAR 12V 3.62 VARS 48"&54"	58	2303430	SCREW-1/4-20 X 5/8	100	2300120	KNOB-SPEED SELECTOR
		2109091	MOTOR ASSEMBLY-SONAR 12V 3.62 VARS 60"	59	2031522	COLLAR- DRIVE (W/INSERT)	101	2300121	HOUSING SPEED SELECTOR
25		2032076	TUBE-CARBON COMPOSITE 54"	60	2011365	SCREW-COLLAR/NEW KNOB	102	2302840	ACTUATOR-BOARD
		2032075	TUBE-CARBON COMPOSITE 48"	61	2304041	CONTROL BOARD ASSEMBLY- 12V PD/AP	103	2302841	ACTUATOR-MOM/CON
		2032077	TUBE-CARBON COMPOSITE 60"	62	2355410	SHRINK TUBE-3/8 ODX2	105	2302842	ACTUATOR-STEERING
■		1378122	PROPELLER KIT	64	2332100	SCREW-8-32 X 3/8 [3.EA]	106	2302100	SCREW-6-20 X 1/2 [5.EA]
26		2091150	PROPELLER W/WEDGE	65	2090601	LEADWIRE IOGA 44"	107	2372100	SCREW-8-18 X 5/8 [5.EA]
27		2151726	WASHER-5/16 SS	66	2020700	TERMINAL RING [2.EA]	108	2266610	DECAL-ON/OFF SWITCH
28		2053101	NUT-PROP NYLOC	67	2222906	STRAIN RELIEF- BRACKET PD/AP	109	2335130	BUMPER ACTUATOR
29		2092600	PIN-DRIVE	68	2303430	SCREW-1/4-20 X 5/8	110	2994807	BAG ASSEMBLY- 4 RUBBER BUMPERS
30		2301545	COLLAR- LATCH PD/AP	69	2306555	HOUSING- CENTER PD/AP	■	2994803	BAG ASSEMBLY- (BOLT,NUT,WASHERS)
31		2303434	SCREW- 8-32X5/8 MACH PHCR	70	2034025	BATTERY GAUGE - 12 VOLT	*112	2153501	BOLT-MOUNTING-3500 W/STG [4.EA]
32		2303112	NUT 8-32 NYLOC SS	71	2306609	DECAL, BATTERY GAUGE	*113	2151726	WASHER-5/16 [4.EA]
33		2301932	EXTRUSION- BASE MACHINED	72	2302935	STRAIN RELIEF-DR. HOUSING	*114	2153100	NUT-5/16-18 MOUNTING [4.EA]
34		2303932	MOTOR REST- RIGHT LARGE 3-5/8	73	2303941	SIDEPLATE (RIGHT)PD MK	*115	2301720	WASHER-MOUNTING RUBBER [6.EA]
35		2303937	MOTOR REST- LEFT LARGE 3-5/8	74	2303946	SIDEPLATE(LEFT)PD MK	116	2211405	EXTENSION CABLE- SONAR
36		2303430	SCREW 1/4-20X5/8 SELF TAP [4.EA]	75	2303430	SCREW-1/4-20 X 5/8- [4.EA]			

\*\*Seal & Oring Kit P/N 2888460

This item is part of an assembly. This item cannot be sold separately due to machining and /or assembly that is required.

P/N 2314921 REV.E 8-01

# 55PD Wiring Diagram

