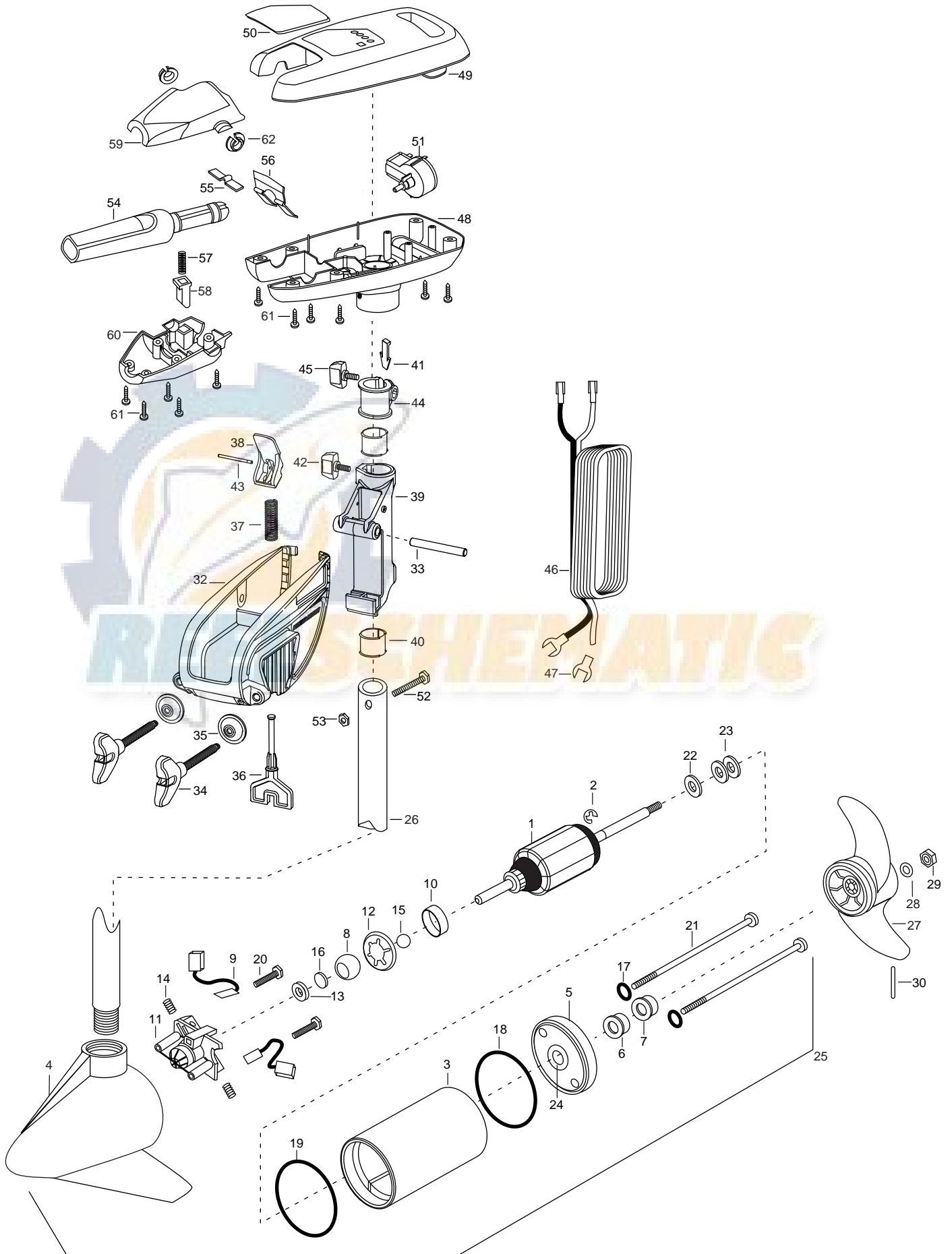


50 TURBO
32 LBS THRUST
12 VOLT 36 AMPS
36" SHAFT



1	2-100-178	ARMATURE ASSEMBLY 12V 3.25	■	2771818	BRACKET & HINGE ASSEMBLY RED KNOB
2	788-015	RETAINING RING	■	2771910	BRACKET W/CLAMP SCREW ASSEMBLY (INCL.32,34,35)
3	431-079	CENTER HOUSING ASSEMBLY 3.25 TXT	*32	2061910	BRACKET PLASTIC
4	2-300-132	BRUSH END HOUSING ASSEMBLY 3.25 SP.CO	33	2060510	PIN-HINGE- ENDURA
5	2-400-127	HOUSING- PLAIN END ASSEMBLY	*34	2061300	SCREW- CLAMP
6	880-003	**SEAL	*35	2011710	WASHER- CLAMP SCREW 1.5OD
7	880-006	**SEAL W/SHIELD	■	2881300	CLAMP SCREW, WASHER, RETAINER KIT
8	144-050	BEARING- SPHERICAL	36	2063605	T-BAR PLASTIC
9	188-052	BRUSH ASSEMBLY [2.EA]	37	2062706	SPRING- T-BAR ENDURA
10	725-033	BRUSH RETENTION- PAPER TUBE	38	2067201	LEVER- TILT BLACK
11	737-031	BRUSH PLATE W/HOLDER 3.25 ASSEMBLY INCLUDES 8,11,12,13	39	2061810	HINGE-PLASTIC
12	784-036	BEARING RETAINER	40	2037301	BUSHING-HINGE [2.EA]
13	991-025	WASHER- FELT	41	2062800	TENSION BLOCK- SNAP IN
14	975-032	SPRING- COMPRESSION	42	2011385	SCREW-TENSION/NEW KNOB
15	116-020	BALL- STEEL	43	2060515	PIN- TILT LEVER
16	303-039	THRUST DISC- METAL	44	2061520	COLLAR-DEPTH ((ENDURA)
17	701-007	**O-RING [2.EA]	45	2011365	SCREW-COLLAR W/NEW KNOB
18	701-039	**O-RING MK406460	46	2050609	LEADWIRE 10 GA SPADE TERM
19	701-041	**O-RING	47	2020702	TERMINAL- SPADE 10GA [2.EA]
20	830-001	SCREW- SELF THREAD 8-32X1.7 [2.EA]	48	2062551	CONTROL BOX-PLAS W/HAND
21	830-078	THRU BOLT 8-32X8.96 [2.EA]	49	2060281	CONTROL BOX COVER- BLK
22	990-067	WASHER- STEEL	50	2065609	DECAL COVER-50TA
23	990-070	WASHER- NYLATRON [2.EA]	51	2064023	SWITCH-FWD/REV COMBO-5 SP
24	144-049	BEARING- FLANGE- SERVICE ONLY	52	2033400	SCREW-10-24 X 1-3/4
25	2069041	MOTOR ASSEMBLY 12V 3.25 5SPC TXT	53	2013110	NUT-HEX ZINC/CAD PLATE
26	2032052	TUBE- COMPOSITE 36"	54	2990912	HANDLE ASSEMBLY W/U-JOINT 5SP
■	1378126	PROP KIT	55	2302742	SPRING-DETENT OFF SS
27	2061125	PROP- WEEDLESS WEDGE	56	2302743	SPRING-DETENT HANDLE
28	2151726	WASHER- 5/15 STD SS	57	2302745	SPRING-RELEASE BUTTON SS
29	2053101	NUT-PROP NYLOC 5/16 SS	58	2303720	RELEASE BUTTON-HANDLE
30	2092600	PIN-DRIVE SS	59	2060408	HANDLE- TOP HALF
			60	2060415	HANDLE- LOWER HALF
			61	2303412	SCREW-6-20 X 5/8 SELF TAP [11.EA]
			62	2060005	BEARING-HANDLE PIVOT [2.EA]

****Seal & Oring Kit P/N 2883460**

* This item is part of an assembly. This item cannot be sold separately due to machining and /or assembly that is required.

P/N 2034945 REV.D 8-01

