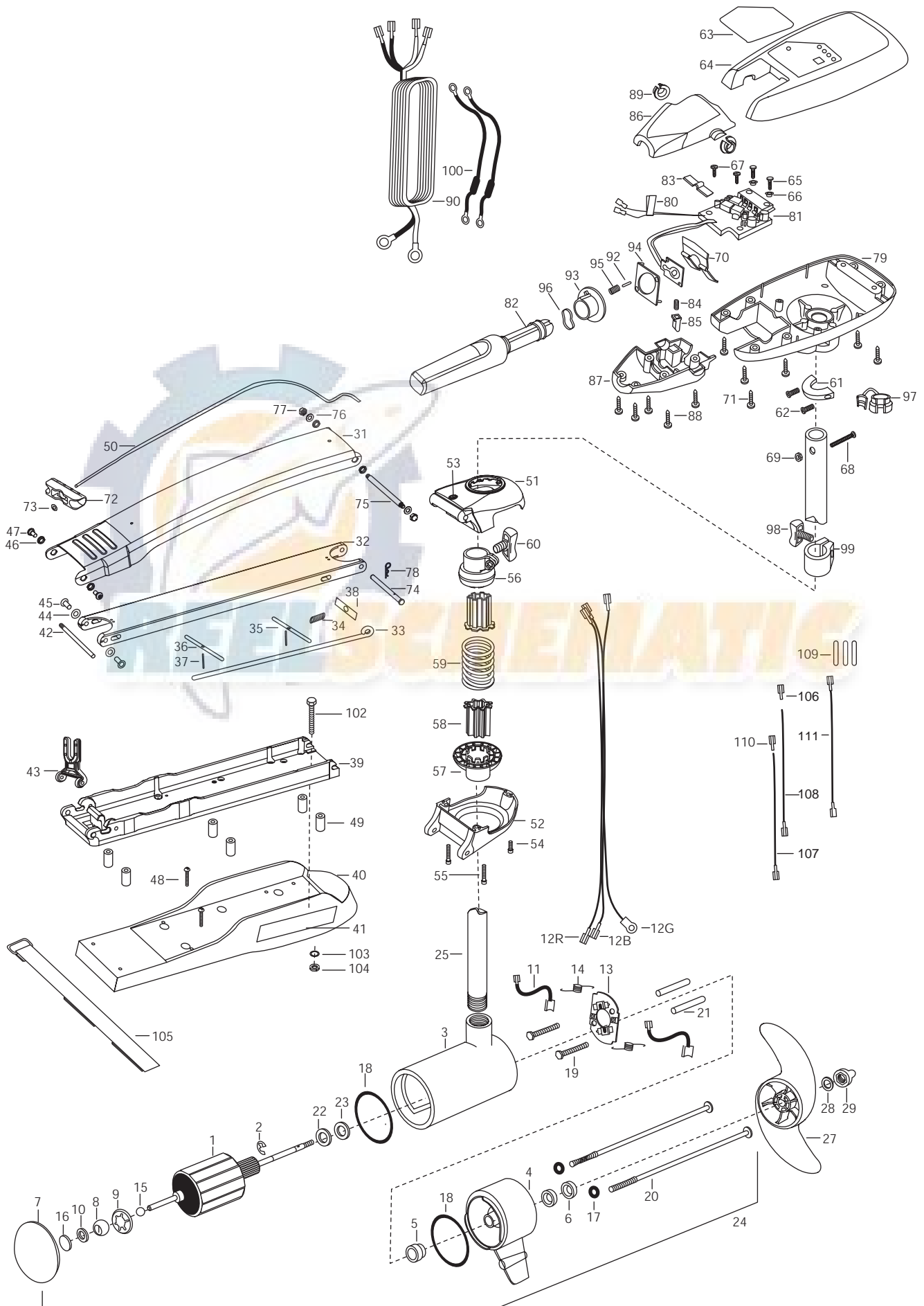


RT101/B  
101 LBS THRUST  
36 VOLT 37 AMPS  
52" or 62" SHAFT



|     |           |   |     |         |                                      |      |         |                                     |
|-----|-----------|---|-----|---------|--------------------------------------|------|---------|-------------------------------------|
| 1   | 2-100-110 | ARMATURE ASSEMBLY 36V VARS SW           | 36  | 2233603 | LOCK BAR, REAR - SS                  | 73   | 2151700 | WASHER-EYE SHAFT(.562 OD)           |
| 2   | 788-040   | RETAINING RING                          | 37  | 2152610 | SPRING-PIN (LOCKEAR) [2.EA]          | 74   | 2262606 | PIN- CLEVIS MAXXUM BWGRD SS         |
| 3   | 431-310   | CENTER HOUSING ASSEMBLY- 4.0 SW TXT WHT | 38  | 2262703 | SPRING STOP                          | 75   | 2262604 | PIN- BWGRD UPPER THREADED SS        |
| 4   | 2-300-340 | BRUSH END HOUSING ASSEMBLY 4 SW WHT     | 39  | 2993983 | BOWPLATE/INSRT ASSEMBLY STD-52"      | 76   | 2261722 | WASHER-FLAT 5/16 SS [2.EA]          |
| 5   | 144-017   | BEARING -FLANGE (SERVICE ONLY)          |     | 2993982 | BOWPLATE/INSRT ASSEMBLY LG- 62"      | 77   | 2223100 | NUT- TENSION 5/16-18 SS [2.EA]      |
| 6   | 880-025   | **SEAL [2.EA]                           | 40  | 2263914 | MOTOR REST STD-MAXXUM WHT-52"        | 78   | 2260800 | CLIP- HAIR SPRING SS MAX BG         |
| 7   | 2-400-341 | PLAIN END HOUSING ASSEMBLY 4.0 WHT      |     | 2263915 | MOTOR REST LONG-MAX WHT-62"          | 79   | 2062596 | CONTROL BOX SW .725 BORE WHT        |
| 8   | 144-021   | BEARING -SPHERICAL                      | 41  | 2065676 | DECAL- MOTOR REST RT W [2.EA]        | 80   | 2305810 | TAG-AIR SWITCH LEADS                |
| 9   | 784-025   | BEARING RETAINER                        | 42  | 2260505 | PIN-HINGE (HEADLESS) S/S             | 81   | 2264013 | CTRL BOARD ASSEMBLY-RT 101          |
| 10  | 991-040   | WASHER FELT                             | 43  | 2293811 | YOKE,MAX MNT-POLYPROPYLENE           | 82   | 2990915 | HANDLE ASSEMBLY W/O U-JOINT         |
| 11  | 188-094   | BRUSH 4" W/TERMINAL [2.EA]              | 44  | 2261708 | WASHER-3/8"X1/2"X.010 [2.EA]         | 83   | 2302742 | SPRING-DETENT (OFF) SS              |
| 12B | 640-017   | BRUSH WIRE BLACK 10 AWG 61              | 45  | 2236000 | BEARING NYLINER [2.EA]               | 84   | 2302745 | SPRING-RELEASE BUTTON SS            |
| 12R | 640-121   | BRUSH WIRE RED 10 AWG 62-1/2            | 46  | 2293501 | BUSHING, STAINLESS STEEL [4.EA]      | 85   | 2303720 | RELEASE BUTTON-HANDLE               |
| 12G | 640-303   | GROUND WIRE GREEN 18 AWG 61 GPT         | 47  | 2263500 | BOLT, SHOULDER (MAXXUM) [2.EA]       | 86   | 2060411 | HANDLE (TOP HALF)MAXXUM             |
| 13  | 738-004   | BRUSH PLATE -4" TERMINAL                | 48  | 2263434 | SCREW-#8-18 K 1" PPH S/S -52" [2.EA] | 87   | 2060415 | HANDLE (LOWER HALF)                 |
| 14  | 975-041   | SPRING -TORSION [2.EA]                  | 49  | 2261505 | SPACER, MOTOR REST-52" [6.EA]        | 88   | 2303412 | SCREW-#6-20 X 5/8 SELF TAP [5.EA]   |
| 15  | 116-025   | BALL -STEEL                             | 50  | 2251601 | ROPE (40'), MAXXUM MOUNT             | 89   | 2060005 | BEARING-HANDLE PIVOT [2.EA]         |
| 16  | 303-043   | THRUST DISC- METAL                      | ■   | 2994833 | BAG ASSEMBLY,MAX STABILIZER KIT      | 90   | 2090600 | LEADWIRE (10 GA) RINGS              |
| 17  | 701-009   | **O-RING -THRU BOLT [2.EA]              | ■   | 2991846 | BOWGUARD ASSEMBLY SW WHT HCT         | 92   | 2302600 | PIN-ACTUATOR                        |
| 18  | 701-043   | **O-RING [2.EA]                         | 51  | 2261968 | BRKT BASE TOP/EYLET SW WHT           | 93   | 2302850 | ACTUATOR-CAM                        |
| 19  | 830-027   | SCREW -SELF THREADED 10-32 X 2"[2.EA]   | 52  | 2991877 | BRKT BTM/BEARING SW WHT              | 94   | 2302851 | ACTUATOR-FWD/REV                    |
| 20  | 830-096   | THRU BOLT 12-24 X 11.56" SS [2.EA]      | 53  | 2772352 | EYELET KIT - ROPE                    | 95   | 2302740 | SPRING- (ACTUATOR)                  |
| 21  | 973-025   | SPACER -BRUSH PLATE [2.EA]              | 54  | 9954533 | SCREW-1/4-20 K 3/4 SS                | 96   | 2302741 | SPRING-CAM (ZNC PLTD STEEL          |
| 22  | 990-051   | WASHER-STEEL THRUST                     | 55  | 2263404 | SCREW-1/4-20X2 1/4 SCHP SS [2.EA]    | 97   | 2052900 | STRAIN RELIEF-C.CORD/SPC            |
| 23  | 990-052   | WASHER- NYLATRON                        | ■   | 2884701 | SLEEVE/INSERT KIT INCL. 59,60,61     | 98   | 2011366 | SCREW-COLLAR/NEW KNOB SS            |
| 24  | 2317053   | MOTOR ASSEMBLY 36V 4.0 VARS SW 101 WHT  | *56 | 2261525 | SPRING-SLEEVE UPPER                  | 99   | 2031520 | COLLAR-DEPTH (W/O INSERT)           |
| 25  | 2032034   | TUBE- COMPOSITE 52" WHT                 | *57 | 2261535 | SPRING SLEEVE, LOWER                 | 100  | 2998200 | CIRCUIT BREAKER ASSEMBLY,36V [2.EA] |
|     | 2032085   | TUBE-COMPOSITE 62" WHT                  | *58 | 2264702 | INSERT-TUBE (2 PER) B.MNT            | ■    | 2994832 | BAG ASSEMBLY MAX101 -62"            |
| ■   | 1378130   | PROPELLER KIT                           | 59  | 2262705 | SPRING, BOWGUARD, SS                 | ■    | 2994830 | BAG ASSEMBLY-INCL. 106,107,108      |
| 27  | 2331130   | PROPELLER- WEEDLESS WEDGE               | 60  | 2011366 | SCREW-COLLAR/NEW KNOB SS             | *102 | 2263431 | SCREW 1/4-20 K 3.5 PPH [6.EA]       |
| 28  | 2091701   | WASHER- PROP LARGE MAX101               | 61  | 2061517 | COLLAR-CTRL BOX SW WHT               | *103 | 2261713 | WASHER-1/4 FLAT S/S [6.EA]          |
| 29  | 2198401   | ANODE-ZINC 4.0 LWR UNIT                 | 62  | 2223430 | SCREW-#8X3/4 PPH TYPE 25 SS [2.EA]   | *104 | 2263103 | NUT-1/4-20 NYLOCK-JAM S/S [6.EA]    |
| ■   | 2771843   | MOUNT,BOW ASSEMBLY, SW STD WHT W/BG     | 63  | 2095683 | DECAL-COVER, RT101/B/S HC            | 105  | 2263802 | STRAP-HOLD DWN 30.5" VELCRO         |
|     | 2771844   | MOUNT,BOW ASSEMBLY, SW LG-62" W/BG WHT  | 64  | 2300219 | COVER- CONTROL BOX RIPTIDE WHT       |      |         |                                     |
| 31  | 2264244   | ARM-UPPER STD SW TXT WHT -52"           | 65  | 2301310 | SCREW-#8-18 X 1/2 SS [2.EA]          |      |         | 62" SHAFT ONLY _____                |
|     | 2264249   | ARM-UPPER LONG SW TXT WHT -62"          | 66  | 2301710 | WASHER-INSUL. (TRANSFBAR) [2.EA]     | 106  | 2030710 | CONNECTOR BUTT [2.EA]               |
| 32  | 2994310   | ARM-LOWER ASSEMBLY STD SW WHT-52"       | 67  | 2372100 | SCREW-#8-18 X 5/8 THDT SS [2.EA]     | 107  | 2030317 | WIRE EXTENSION 18" RED              |
|     | 2994320   | ARM-LOWER ASSEMBLY LNG SW WHT -62"      | 68  | 2263406 | SCREW-#10-24 X 2 SS                  | 108  | 2030316 | WIRE EXTENSION 18" BLACK            |
| 33  | 2153603   | EYE SHAFT-2LOCKBAR STD-52"              | 69  | 2333101 | NUT-#10-24 NYLOCK SS                 | 109  | 2375400 | SHRINK TUBE 1/4 X1-3/4" [3.EA]      |
|     | 2153605   | EYE SHAFT-2LOCKBAR LONG- 62"            | 70  | 2302743 | SPRING-DETENT (HANDLE-TILT)          | 110  | 2030711 | CONNECTOR BUTT                      |
| 34  | 2152701   | SPRING-(LOCKBAR) SS                     | 71  | 2303412 | SCREW-#6-20 X 5/8 SELF TAP [6.EA]    | 111  | 2030315 | WIRE EXTENSION 18"-18 GA GREEN      |
| 35  | 2233601   | LOCKBAR SS (NEW 500)                    | 72  | 2150400 | PULL-GRIP                            |      |         |                                     |

\*\*Seal & Oring Kit P/N 2889460

\* This item is part of an assembly. This item cannot be sold separately due to machining and /or assembly that is required.

p/n 2194926 REV. B 1-02

# RT101/B/HC 36 VOLT

