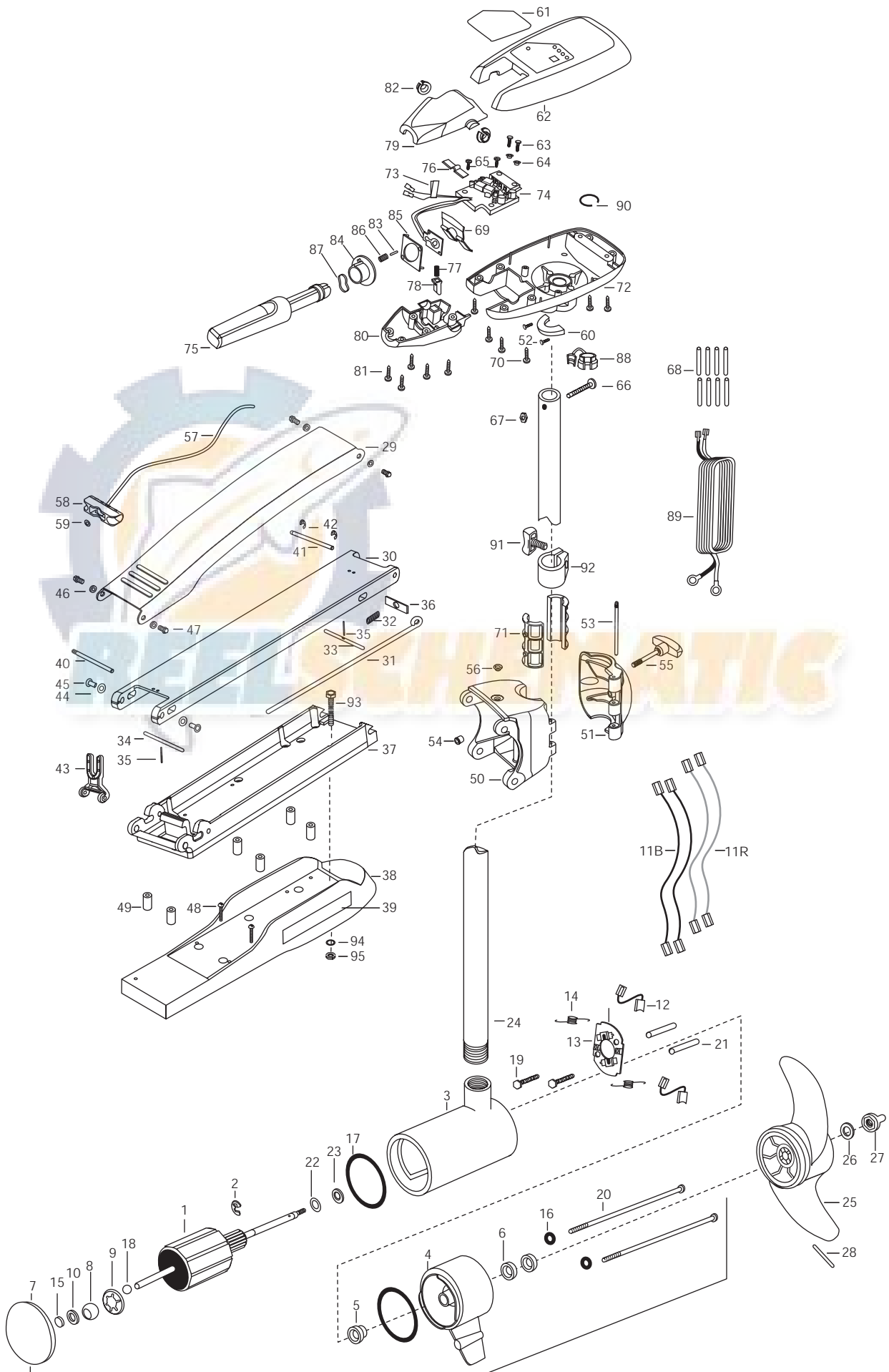


RT74/B (Hinge Door version)
74 LBS THRUST
24 VOLT 45 AMPS
52" SHAFT



1	2-100-103	ARMATURE ASSEMBLY 24V 4	31	2153603	EYE SHAFT-2 LOCKBAR STD SS	65	2372100	SCREW-#8-18 X 5/8 THD (SS) [2.EA]
2	788-040	RETAINING RING	32	2152701	SPRING-(LOCKBAR) SS	66	2263406	SCREW-#10-24 X 2" SS PPH
3	2-200-397	HOUSING ASSEMBLY CENTER	33	2233601	LOCKBAR (SS) (NEW 500)	67	2333101	NUT-HEX 10-24 UNC-2B NYLOC
4	2-300-340	BRUSH END HOUSING ASSEMBLY	34	2233603	LOCK BAR, REAR S/S	68	2305400	SHRINK TUBE-3/8 OD X 1-1 [8.EA]
5	144-017	BEARING- FLANGE	35	2152610	SPRING-PIN (LOCKBAR) [2.EA]	69	2302743	SPRING-DETENT -HANDLE-TILT
6	880-025	**SEAL [2.EA]	36	2262703	SPRING STOP	70	2303412	SCREW-6-20 X 5/8 SELF TAP [6.EA]
7	2-400-341	PLAIN END HOUSING ASSEMBLY	37	2993983	BOWPLATE/INSRT ASSEMBLY,STD,SW	71	2151532	HINGE-SLEEVE HALF-AT [2.EA]
8	144-021	BEARING- SPHERICAL	38	2263914	MOTOR REST STD MAXXUM WHT	72	2062597	CONTROL BOX- SW WHT .875 BORE
9	784-025	BEARING RETAINER	39	2065676	DECAL- MOTOR REST RT W [2.EA]	73	2305810	TAG-AIR SWITCH LEADS
10	991-040	WASHER- FELT	40	2260505	PIN-HINGE (HEADLESS) S/S	74	2344007	CONTROL BOARD ASSEMBLY
11B	640-017	BRUSH LEAD- BLACK WIRES [2.EA]	41	2260512	HINGE PIN (MAX,A/T) S/S	75	2990915	HANDLE ASSEMBLY W/O U-JOINT
11R	640-121	BRUSH LEAD- RED WIRES [2.EA]	42	2263011	E-RING 3/8 DIA. SHAFT [2.EA]	76	2302742	SPRING-DETENT(OFF) SS
12	188-094	BRUSH [2.EA]	43	2293811	YOKE,MAX MNT-POLYPROPYLENE	77	2302745	SPRING-RELEASE BUTTON SS
13	738-004	BRUSH PLATE- 4" TERMINAL	44	2261708	WASHER-3/8X1/2X.010 (SS) [2.EA]	78	2303720	RELEASE BUTTON-HANDLE
14	975-041	SPRING- TORSION [2.EA]	45	2236000	BEARING NYLINER [2.EA]	79	2060411	HANDLE (TOP HALF)
15	303-043	THRUST DISC- METAL	46	2293501	BUSHING, STAINLESS STEEL [4.EA]	80	2060415	HANDLE (LOWER HALF)
16	701-009	**O-RING- THRU BOLT [2.EA]	47	2263500	BOLT, SHOULDER [4.EA]	81	2303412	SCREW-6-20 X 5/8 SELF TAP [5.EA]
17	701-043	**O-RING [2.EA]	48	2263434	SCREW, 8-18 X 1' PPH SS [2.EA]	82	2060005	BEARING-HANDLE PIVOT [2.EA]
18	116-025	BALL- STEEL	49	2261505	SPACER, MOTOR REST [6.EA]	83	2302600	PIN-ACTUATOR
19	830-027	SCREW- SELF-THREAD 10-32X2 [2.EA]	50	2991863	HINGE BASE/INSERT ASSEMBLY,SW,	84	2302850	ACTUATOR-CAM
20	830-094	THRU BOLT 12-24 x 10.31 [2.EA]	51	2261859	HINGE DOOR- SW TEX WHT	85	2302851	ACTUATOR-FWD/REV
21	973-025	SPACER - BRUSHPLATE [2.EA]	52	2223430	SCREW- #8X3/4 PPH TYPE 25 SS [2.EA]	86	2302740	SPRING- (ACTUATOR)
22	990-051	WASHER- STEEL THRUST	53	2262642	PIN-HINGE DOOR, RT HNG/DOOR	87	2302741	SPRING-CAM (ZNC PLTD STEEL)
23	990-052	WASHER- NYLATRON	54	2264706	INSERT-HINGE BASE (STD MT)	88	2332900	STRAIN RELIEF-C.CORD/SP.C
■	2317044	MOTOR ASSEMBLY 24V 4 VARS SW 74/ INCL.1-23	55	2260186	KNOB-HINGE COVER SW S/S	89	2330600	LEADWIRE (10 GA-4) (RINGS)
24	2032034	TUBE-CARBON COMPOSITE 52 WHT	56	2232315	EYELET-ROPE STAINLESS STEEL	90	2303001	RING-PIG
25	1378129	PROPELLER KIT	57	2251601	ROPE (40"),	91	2011366	SCREW-COLLAR/NEW KNOB (SS)
26	2091701	WASHER-PROP (LARGE)	58	2150400	PULL-GRIP	92	2031520	COLLAR-DEPTH (W/O INSERT)
27	2198401	ANODE-ZINC 4.0 LWR UNIT	59	2151700	WASHER-EYE SHAFT(.562 OD)	■	2994830	BAG ASSEMBLY
28	2092600	PIN-DRIVE	60	2061517	COLLAR-CTRL BOX WHT	93	2263431	SCREW 1/4-20 X 3.5 PPH [6.EA]
■	2991886	MOUNT,BOW ASSEMBLY,SW STD HNGD	61	2095682	DECAL-COVER, RT74/B/S HC	94	2261713	WASHER-1/4 FLAT S/S [6.EA]
29	2264244	ARM-UPPER STD SW TEXTURED WHT	62	2300219	COVER- CONTROL BOX RIPTIDE WHITE	95	2263103	NUT-1/4-20 NYLOCK-JAM S/S [6.EA]
30	2994310	ARM-LOWER ASSEMBLY ,STD SW WHT	63	2301310	SCREW-8-18 X 1/2 SS [2.EA]			
			64	2301710	WASHER-INSUL. (TRANSF.BAR) [2.EA]			

**Seal & Oring Kit P/N 2889460

* This item is part of an assembly. This item cannot be sold separately due to machining and /or assembly that is required.

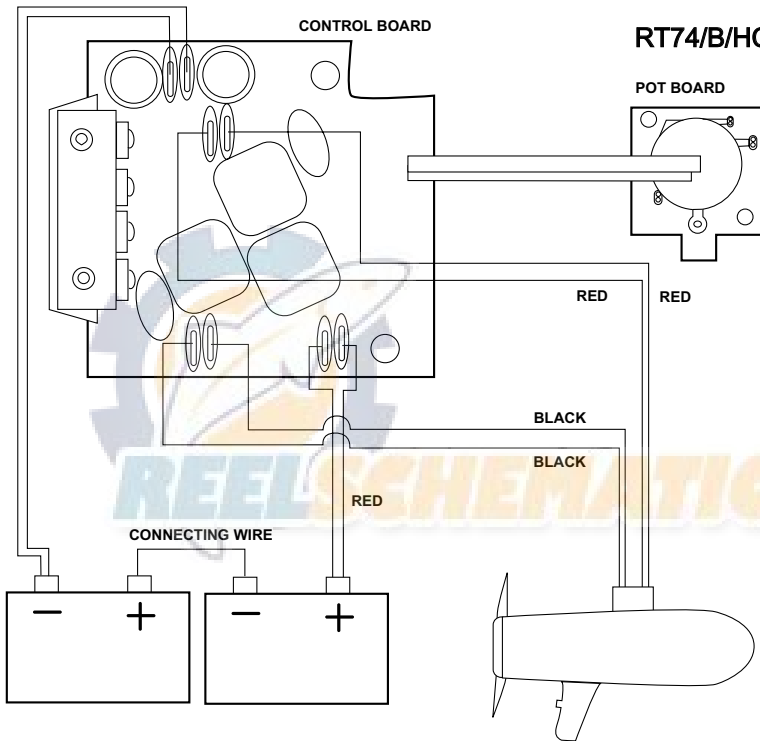
p/n 2194924 REV. B 1-02

BLACK

CONTROL BOARD

RT74/B/HC 24 VOLT

POT BOARD



RED

RED

BLACK

BLACK

RED

CONNECTING WIRE