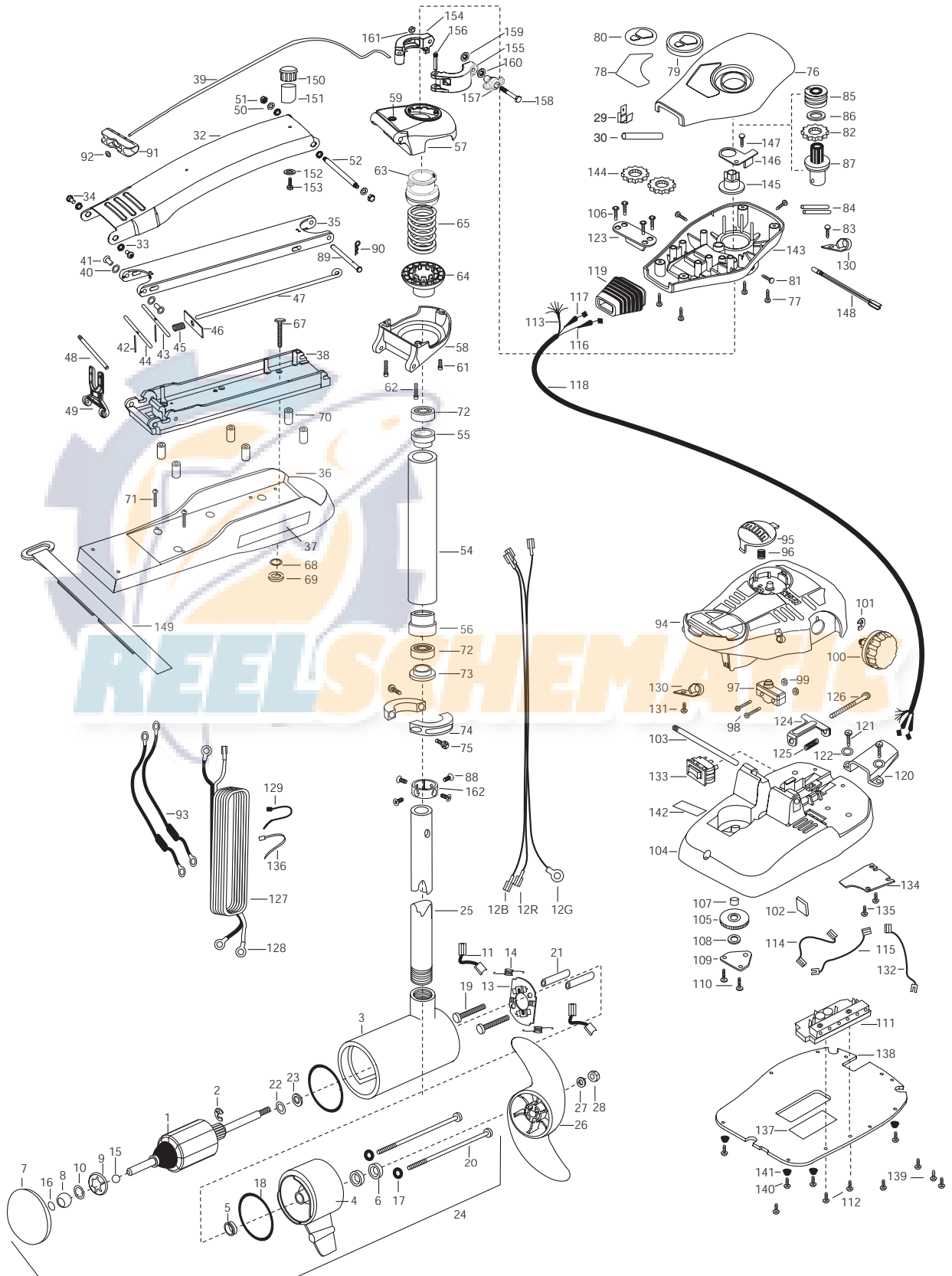


MAXXUM 101
101 lbs Thrust
36 Volt 37 Amps
42" SHAFT

for use with motors with serial numbers beginning MKAE
3-year warranty from the date of purchase



| | | | | | | | | |
|-----|-----------|--|-----|---------|---|------|---------|------------------------------------|
| 1 | 2-100-110 | ARMATURE ASSEMBLY 36V 4 VARS TXT | 54 | 2272069 | TUBE OUTER -21" 4 HOLES | 110 | 2301310 | SCREW-8-18 X 1/2" SS [2.EA] |
| 2 | 788-040 | RETAINING RING | 55 | 2266260 | BEARING RACE- 565T | 111 | 2264012 | CONTROL BOARD ASSEMBLY- MAX101 |
| 3 | 431-110 | CENTER HOUSING ASSEMBLY 4.0 FW TXT 101 | 56 | 2266220 | BEARING RACE-STEEL | 112 | 2053414 | SCREW 8-32 X 1/2 TRI-LOBE [2.EA] |
| 4 | 2-300-160 | BRUSH END HOUSING ASSEMBLY 4.0 FW TXT | ■ | 2991824 | BOWGUARD ASSEMBLY-FT CT FW | 113 | 2261218 | WIRE HARNESS MAX 101 |
| 5 | 144-017 | BEARING -FLANGE (SERVICE ONLY) | 57 | 2772315 | BEARING BASE TOP/EYELET | 114 | 2260325 | WIRE,BLK W/GRN STRIPE 11 1/4" |
| 6 | 880-025 | **SEAL [2.EA] | 58 | 2991993 | BRACKET BOTTOM/BEARING ASSEMBLY | 115 | 2260326 | WIRE,RED W/YEL STRIPE 16 1/2" |
| 7 | 2-400-160 | PLAIN END HOUSING ASSEMBLY 4.0 | 59 | 2772352 | EYELET KIT -ROPE | 116 | 2267500 | CABLE ASSEMBLY-RIGHT 5' |
| 8 | 144-021 | BEARING -SPHERICAL | 61 | 2263402 | SCREW 1/4-20 X 3/4" ZINC | 117 | 2267510 | CABLE ASSEMBLY-LEFT 5' |
| 9 | 784-025 | BEARING RETAINER | 62 | 2263404 | SCREW, 1/4-20 X 2-1/4" SHCP [2.EA] | 118 | 2265430 | CABLE JACKET 5' |
| 10 | 991-040 | FELT WASHER | 63 | 2071541 | SPRING-SLEEVE UPPER | 119 | 2265110 | BOOT-CONTROL BOX |
| 11 | 186-094 | BRUSH 4" [2.EA] | 64 | 2071535 | SPRING SLEEVE, LOWER | 120 | 2265115 | BOOT-FOOT PEDAL BASE |
| 12B | 640-014 | BRUSH WIRE- BLACK 10 AWG 54 1/2 | 65 | 2262706 | SPRING, BOWGUARD, NIK | 121 | 2372100 | SCREW-8-18 X 5/8",THDT [2.EA] |
| 12R | 640-118 | BRUSH WIRE- RED 10 AWG 56 XLP | ■ | 2994830 | BAG ASSEMBLY-MAXXUM | 122 | 2261714 | WASHER-MAXXUM FT PDL [2.EA] |
| 12G | 640-302 | GROUND WIRE- GREEN 10 AWG 54 1/2 | *67 | 2263431 | SCREW 1/4-20 X 3.5" PPH [6.EA] | 123 | 2261901 | BRACKET-CONDUIT AT/MAX |
| 13 | 738-004 | BRUSH PLATE - 4" TERMINAL | *68 | 2261713 | WASHER-1/4" FLAT S/S [6.EA] | 124 | 2263210 | BRACKET-CONDUIT ADJUST |
| 14 | 975-041 | SPRING -TORSION [2.EA] | *69 | 2263103 | NUT -NYLOCK JAM 1/4-20 S/S [6.EA] | 125 | 2262720 | SPRING-CONDUIT ADJUST |
| 15 | 116-025 | BALL-STEEL | 70 | 2261505 | SPACER, MOTOR REST [6.EA] | 126 | 2263463 | SCREW-1/4-20 X 2" STL PPH |
| 16 | 303-043 | THRUST DISC- METAL | 71 | 2263434 | SCREW, 8-18 X 1" PPH [2.EA] | 127 | 2261227 | LEADWIRE A/T VARIABLE |
| 17 | 701-009 | **O-RING -THRU BOLT [2.EA] | 72 | 2266000 | BEARING, BALL-STEEL [2.EA] | 128 | 2020700 | TERMINAL RING, 3/8" [2.EA] |
| 18 | 701-043 | **O-RING [2.EA] | 73 | 2266115 | BEARING CONE | 129 | 2256300 | TIE WRAP-5.5" BLACK |
| 19 | 830-027 | SCREW -SELF TREADED 10-32 X 2" [2.EA] | 74 | 2261619 | COLLAR HALF-ZINC-2 PER | 130 | 2263201 | CLAMP WIRE HARNESS MICRO [2.EA] |
| 20 | 830-096 | THRU BOLT 12-24 X 11.56" SS [2.EA] | 75 | 2263452 | SCREW- 1/4-20X3/4 SHCP SS [2.EA] | 131 | 2332103 | SCREW-6-20 X 3/8" THD |
| 21 | 973-025 | SPACER -BRUSH PLATE [2.EA] | 76 | 2260283 | CONTROL BOX COVER-MAX | 132 | 2260312 | WIRE,BLK W/WHT STRIPE 19 1/4" |
| 22 | 990-051 | WASHER-THRUST, STEEL | 77 | 2372100 | SCREW-8-18 X 5/8" THD SS [4.EA] | 133 | 2254031 | SWITCH-MOM/OFF/COM |
| 23 | 990-052 | WASHER- NYLATRON | 78 | 2265539 | DECAL COVER, MAXXUM 101 | 134 | 2266412 | SWITCH PLATE, FT PEDAL |
| 24 | 2317050 | MOTOR ASSEMBLY 36V 4 VARS TXT | 79 | 2260150 | POINTER DISC TRNSLCNT | 135 | 2332103 | SCREW-6-20 X 3/8" THD [2.EA] |
| 25 | 2032003 | TUBE (COMP) W/CSK HOLE 43 3/4 | 80 | 2265800 | DECAL-INDICATOR | 136 | 2256301 | TIE WRAP-5.5" WHITE [2.EA] |
| ■ | 1378130 | PROPELLER KIT (includes 26-28) | 81 | 2053414 | SCREW-8-32 X 1/2" TRI-LOBE [3.EA] | 137 | 2365109 | INSULATING PAD 2.4 X 4.7" |
| 26 | 2331130 | PROPELLER (W.WEDGE) | 82 | 2267800 | GEAR INDICATOR | 138 | 2264511 | BOTTOM PLATE, MAX 101 |
| 27 | 2091701 | WASHER-PROP (LARGE) MAX 101 | 83 | 2301310 | SCREW-8-18 X 1/2" SS | 139 | 9953104 | SCREW-8 X 1/2" SS [5.EA] |
| 28 | 2093101 | NUT-PROP (LARGE) MAX 101 | 84 | 2355410 | SHRINK TUBE-3/8 OD X 2" [2.EA] | 140 | 2263455 | SCREW #12-14 X 1/2" THR FRM [4.EA] |
| 29 | 2020713 | TERMINAL- ADAPTOR MAX50/S | 85 | 2232360 | PULLEY-CABLE DRUM | 141 | 2265126 | BUMPER PAD, FOOT PEDAL [4.EA] |
| 30 | 2335400 | SHRINK TUBE 1/4ODX2" | 86 | 2261730 | WASHER-NYLON A/T | 142 | 2266610 | DECAL-ON/OFF SWITCH |
| ■ | 2771840 | MOUNT, BOW ASSEMBLY, FW STD MAX 101 | 87 | 2996247 | TOP BEARING RACE /PINION DRIVE ASSEMBLY | 143 | 2262535 | CONTROL BOX-PLASTIC |
| 32 | 2264241 | ARM-UPPER FW STD | 88 | 2223468 | SCREW-8-32 X 7/16" ZINC PLATE [4.EA] | 144 | 2267800 | GEAR-INDICATOR [2.EA] |
| 33 | 2293501 | BUSHING, STAINLESS STEEL [4.EA] | 89 | 2262607 | PIN- CLEVIS ZN PL | 145 | 2262220 | INDICATOR-DRIVE |
| 34 | 2263500 | BOLT, SHOULDER [2.EA] | 90 | 2260801 | SPRING CLIP ZN PL | 146 | 2261905 | BRACKET/INDICATOR |
| 35 | 2994307 | ARM-LOWER ASSEMBLY, STD, FW EXT | 91 | 2150400 | PULL-GRIP | 147 | 2301310 | SCREW-8-18 X 1/2" SS |
| 36 | 2263912 | MOTOR REST STD, MAXXUM | 92 | 2151700 | WASHER-EYE SHAFT .562" | 148 | 2264015 | LIGHT/INDICATOR |
| 37 | 2265514 | DECAL- MOTOR REST [2.EA] | 93 | 2998200 | CIRCUIT BREAKER ASSEMBLY 36V-101 [2.EA] | 149 | 2263802 | STRAP- HOLD DOWN 30.5 VELCRO] |
| 38 | 2773987 | BOWPLATE/INSERT- STD FW | 94 | 2790002 | FOOT PEDAL/PLUG ASSEMBLY | ■ | 2994833 | BAG ASSEMBLY- MAXXUM STABILIZER |
| 39 | 2251601 | ROPE 40" MAXXUM | 95 | 2263700 | PUSH-BUTTON FOOT PEDAL | *150 | 2268400 | SHAFT- SUPPORT |
| 40 | 2261708 | WASHER-3/8 X 1/2 X.010" SS [2.EA] | 96 | 2302732 | SPRING-LOWER PEDAL SS | *151 | 2268401 | BUMPER- SHAFT |
| 41 | 2236000 | BEARING NYLINER [2.EA] | 97 | 2264023 | SWITCH-SEALED ASSEMBLY | *152 | 2263465 | SCREW 1/4-10X1" HDD Z/P |
| 42 | 2152610 | SPRING-PIN (LOCKBAR) [2.EA] | 98 | 2262114 | SCREW-MOUNTING/SWITCH [2.EA] | *153 | 2261716 | WASHER- CONICAL ID.28 SS |
| 43 | 2233600 | LOCK BAR- (BOW MOUNT) | 99 | 2233100 | NUT-SWITCH MOUNT [2.EA] | ■ | 2991550 | CLAMP COLLAR ASSEMBLY |
| 44 | 2233602 | LOCK BAR, REAR - ZINC | 100 | 2260160 | KNOB-SPEED CONTROL | 154 | 2071550 | CLAMP COLLAR "A" |
| 45 | 2152700 | SPRING -LOCKBAR | 101 | 2263000 | E-RING TRU-ARC#5133-43 | 155 | 2071555 | CLAMP COLLAR "B" |
| 46 | 2262703 | SPRING STOP | 102 | 2266413 | TENSION SCREW PLATE FT | 156 | 2072621 | PIN-KNURLED |
| 47 | 2153602 | EYE SHAFT -2LOCKBAR STD PLTD | 103 | 2260511 | PIN-PIVOT A/T FT PDL | 157 | 2070120 | KNOB-CLAMP COLLAR |
| 48 | 2260506 | HINGE-PIN HEADLESS ZINC | 104 | 2992102 | FOOT PEDAL BASE/PIN ASSEMBLY | 158 | 2073412 | SCREW 1/4-28 X 2 3/4" SS |
| 49 | 2293811 | YOKE, MAXXUM MOUNT POLYPROPYLENE | 105 | 2262300 | PULLEY FOOT PEDAL | 159 | 2071718 | WASHER #10 NYLON RETAINING |
| 50 | 2261722 | WASHER SS [2.EA] | 106 | 2223430 | SCREW- #8 X3/4" PPH TYPE 25 SS [4.EA] | 160 | 2071716 | WASHER - FLAT SS |
| 51 | 2263100 | NUT- TENSION 5/16-18 SS [2.EA] | 107 | 2260000 | BEARING-PULLEY | 161 | 2073102 | NUT - HEX 1/4 - 28 SS |
| 52 | 2262605 | PIN- BWGRD UPPER THREADED ZP | 108 | 2261705 | WASHER-NYLATRON A/T | 162 | 2071560 | SPLIT COLLAR |
| ■ | 2772012 | TUBE W/BEARING RACE ASSEMBLY | 109 | 2266400 | COVER-PULLEY STAMPING | | | |

** Seal & Oring Kit P/N 2889460

* This item is part of an assembly. This item cannot be sold separately due to machining and /or assembly that is required.

P/N 2264933 REV.E

7-01

