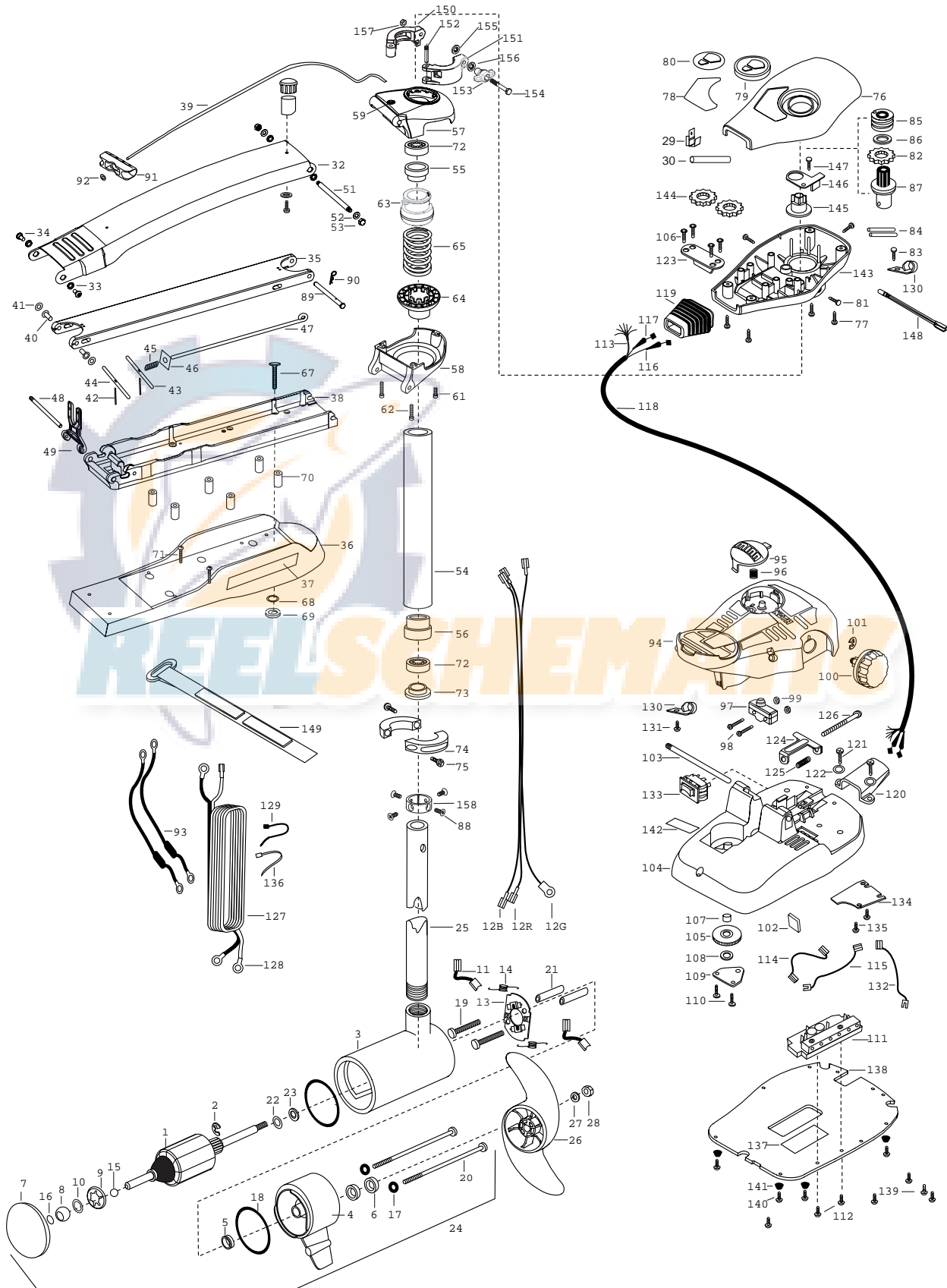


MAXXUM 101
101 lbs Thrust
36 Volt 37 Amps
52 & 62" SHAFT

for use with motors with serial numbers beginning MKAE
3-year warranty from the date of purchase



1	2-100-110	ARMATURE ASSEMBLY 36V 4 VARS FW 101#	2772014	TUBE W/BEARING RACE ASSEMBLY 62"	110	2301310	SCREW-8-18 X 1/2" SS [2.EA]
2	788-040	RETAINING RING	54 2272067	TUBE OUTER -24" 4 HOLES 52"	111	2264012	CONTROL BOARD ASSEMBLY- MAX101
3	431-110	CENTER HOUSING ASSEMBLY 4.0 FW TXT MAX	2272068	TUBE OUTER -34" 4 HOLES 62"	112	2053414	SCREW 8-32 X 1/2 TRI-LOBE [2.EA]
4	2-300-160	BRUSH END HOUSING ASSEMBLY 4.0 FW TXT	55 2266260	BEARING RACE- 565T	113	2261218	WIRE HARNESS MAX 101
5	144-017	BEARING -FLANGE (SERVICE ONLY)	56 2266220	BEARING RACE-STEEL	114	2260325	WIRE,BLK W/GRN STRIPE 11 1/4"
6	880-025	**SEAL [2.EA]	■ 2991824	BOWGUARD ASSEMBLY-FT CTRL,MAX	115	2260326	WIRE,RED W/YEL STRIPE 16 1/2"
7	2-400-160	PLAIN END HOUSING ASSEMBLY 4.0	57 2772315	BRACKET BASE TOP/EYELET ASSEMBLY	116	2267500	CABLE ASSEMBLY-RIGHT 5'
8	144-021	BEARING -SPHERICAL	58 2771993	BRACKET BOTTOM/BEARING ASSEMBLY	117	2267510	CABLE ASSEMBLY-LEFT 5'
9	784-025	BEARING RETAINER	59 2772352	EYELET-ROPE KIT	118	2265430	CABLE JACKET 5'
10	991-040	FELT WASHER	61 2263402	SCREW 1/4-20 X 3/4" ZINC	119	2265110	BOOT-CONTROL BOX
11	188-094	BRUSH 4"W/TERMINAL [2.EA]	62 2263404	SCREW, 1/4-20 X 2-1/4" SHCP [2.EA]	120	2265115	BOOT-FOOT PEDAL BASE
12B	640-017	BRUSH WIRE- BLACK 10 AWG 61 XLP	63 2071541	SPRING-SLEEVE UPPER	121	2372100	SCREW-8-18 X 5/8",THDT [2.EA]
12R	640-121	BRUSH WIRE- RED 10 AWG 62-1/2	64 2071535	SPRING SLEEVE, LOWER	122	2261714	WASHER-MAXXUM FT PDL [2.EA]
12G	640-303	GROUND WIRE- GREEN 10 AWG 61	65 2262706	SPRING, BOWGUARD, NIK	123	2261901	BRACKET-CONDUIT AT/MAX
13	738-004	BRUSH PLATE - 4" TERMINAL	■ 2994830	BAG ASSEMBLY-MAXXUM	124	2263210	BRACKET-CONDUIT ADJUST
14	975-041	SPRING -TORSION [2.EA]	*67 2263431	SCREW 1/4-20 X 3.5" PPH [6.EA]	125	2262720	SPRING-CONDUIT ADJUST
15	116-025	BALL-STEEL	*68 2261713	WASHER-1/4" FLAT S/S [6.EA]	126	2263463	SCREW-1/4-20 X 2" STL PPH
16	303-043	THRUST DISC- METAL	*69 2263103	NUT -NYLOCK JAM 1/4-20 S/S [6.EA]	127	2261227	LEADWIRE A/T VARIABLE
17	701-009	**O-RING -THRU BOLT [2.EA]	■ 2994832	BAG ASSEMBLY	128	2020700	TERMINAL RING, 3/8" [2.EA]
18	701-043	**O-RING (2 REQ'D)	70 2261505	SPACER, MOTOR REST [6.EA]	129	2256300	TIE WRAP-5.5" BLACK
19	830-027	SCREW -SELF TREADED 10-32 X 2" [2.EA]	71 2263434	SCREW, 8-18 X 1" PPH [2.EA]	130	2263201	CLAMP WIRE HARNESS MICRO [2.EA]
20	830-096	THRU BOLT 12-24 X 11.56" SS [2.EA]	72 2266000	BEARING, BALL-STEEL [2.EA]	131	2332103	SCREW-6-20 X 3/8" THD
21	973-025	SPACER -BRUSH PLATE [2.EA]	73 2266115	BEARING CONE	132	2260312	WIRE,BLK W/WHT STRIPE 19 1/4"
22	990-051	WASHER-THRUST, STEEL	74 2261619	COLLAR HALF-ZINC-2 PER	133	2254031	SWITCH-MOM/OFF/COM
23	990-052	WASHER- NYLATRON	75 2263452	SCREW- 1/4-20X3/4 SHCP SS [2.EA]	134	2266412	SWITCH PLATE, FT PEDAL
24	2317051	MOTOR ASSEMBLY 36V VARS TXT	76 2260283	CONTROL BOX COVER-MAX	135	2332103	SCREW-6-20 X 3/8" THD [2.EA]
25	2032006	TUBE (COMP) W/CSK HOLE 52"	77 2372100	SCREW-8-18 X 5/8" THDT [4.EA]	136	2256301	TIE WRAP-5.5" WHITE [2.EA]
	2032007	TUBE (COMP) W/CSK HOLE 62"	78 2265539	DECAL COVER, MAXXUM 101	137	2365109	INSULATING PAD 2.4 X 4.7"
■	1378130	PROPELLER KIT (includes 26-28)	79 2260150	POINTER DISC TRNSLCNT	138	2264511	BOTTOM PLATE, MAX 101
26	2331130	PROPELLER (W.WEDGE)	80 2265800	DECAL-INDICATOR	139	9953104	SCREW-8 X 1/2" SS [5.EA]
27	2091701	WASHER-PROP (LARGE) MAX 101	81 2053414	SCREW-8-32 X 1/2" TRI-LOBE [3.EA]	140	2263455	SCREW #12-14 X 1/2" THR FRM [4.EA]
28	2093101	NUT-PROP (LARGE) MAX 101	82 2267800	GEAR INDICATOR	141	2265126	BUMPER PAD, FOOT PEDAL [4.EA]
29	2020713	TERMINAL- ADAPTOR MAX50/S	83 2301310	SCREW-8-18 X 1/2" SS	142	2266610	DECAL-ON/OFF SWITCH
30	2335400	SHRINK TUBE 1/4ODX2"	84 2355410	SHRINK TUBE-3/8 OD X 2" [2.EA]	143	2262535	CONTROL BOX-PLASTIC
■	2771864	MOUNT, BOW ASSEMBLY W/BWGRD FW MAX	85 2232360	PULLEY-CABLE DRUM	144	2267800	GEAR-INDICATOR [2.EA]
32	2264246	ARM-UPPER FW LG	86 2261730	WASHER-NYLON A/T	145	2262220	INDICATOR-DRIVE
33	2293501	BUSHING, STAINLESS STEEL [4.EA]	87 2996247	TOP BEARING RACE /PINION DRIVE ASSEMBLY	146	2261905	BRACKET/INDICATOR
34	2263500	BOLT, SHOULDER [2.EA]	88 2223468	SCREW-8-32 X 7/16" ZINC PLATE [4.EA]	147	2301310	SCREW-8-18 X 1/2" SS
35	2774317	ARM-LOWER ASSEMBLY, LG, FW EXTR	89 2262607	PIN - CLEVIS ZP MAX BG	148	2264015	LIGHT/INDICATOR
36	2263913	MOTOR REST LONG, MAXXUM	90 2260801	CLIP-SPRING ZP MAX BG	149	2263802	STRAP- HOLD DOWN 30.5 VELCRO
37	2265514	DECAL- MOTOR REST [2.EA]	91 2150400	PULL-GRIP	■ 2991550	2991550	CLAMP COLLAR ASSEMBLY
38	2773986	BOWPLATE,LG FW /INSERT	92 2151700	WASHER-EYE SHAFT .562"	150	2071550	CLAMP COLLAR "A"
39	2251601	ROPE 40" MAXXUM	93 2998200	CIRCUIT BREAKER ASSEMBLY 36V-101 [2.EA]	151	2071555	CLAMP COLLAR "B"
40	2261708	WASHER-3/8 X 1/2 X.010" SS [2.EA]	94 2790002	FOOT PEDAL/PLUG ASSEMBLY	152	2072621	PIN-KNURLED
41	2236000	BEARING NYLINER [2.EA]	95 2263700	PUSH-BUTTON FOOT PEDAL	153	2070120	KNOB-CLAMP COLLAR
42	2152610	SPRING-PIN (LOCKBAR) [2.EA]	96 2302732	SPRING-LOWER PEDAL SS	154	2073412	SCREW 1/4-28 X 2 3/4" SS
43	2233600	LOCK BAR- (BOW MOUNT)	97 2264023	SWITCH-SEALED ASSEMBLY	155	2071718	WASHER #10 NYLON RETAINING
44	2233602	LOCK BAR, REAR - ZINC	98 2262114	SCREW-MOUNTING/SWITCH [2.EA]	156	2071716	WASHER - FLAT SS
45	2152700	SPRING -LOCKBAR	99 2233100	NUT-SWITCH MOUNT [2.EA]	157	2073102	NUT - HEX 1/4 - 28 SS
46	2262703	SPRING STOP	100 2260160	KNOB-SPEED CONTROL	158	2071560	SPLIT COLLAR
47	2153604	EYE SHAFT -2LOCKBAR STD PLTD	101 2263000	E-RING TRU-ARC#5133-43			NOT SHOWN-- 62" SHAFT ONLY
48	2260506	HINGE-PIN HEADLESS ZINC	102 2266413	TENSION SCREW PLATE FT			2030710 CONNECTOR BUTT [2.EA]
49	2293811	YOKE, MAXXUM MOUNT POLYPROPYLENE	103 2260511	PIN-PIVOT A/T FT PDL			2030711 CONNECTOR BUTT
■	2994833	BAG ASSEMBLY- MAXXUM STABILIZER	104 2992102	FOOT PEDAL BASE/PIN ASSEMBLY			2030315 WIRE EXTENSION 18" GREEN
51	2262605	PIN- BWGRD UPPER THREADED ZP	105 2262300	PULLEY FOOT PEDAL			2030317 WIRE EXTENSION 18" RED
52	2261722	WASHER FLAT [2.EA]	106 2223430	SCREW- #8 X3/4" PPH TYPE 25 SS [4.EA]			2030316 WIRE EXTENSION 18" BLACK
53	2223100	NUT-TENSION 5/16-18 SS [2.EA]	107 2260000	BEARING-PULLEY			2375400 SHRINK TUBE 1/4 X1-3/4" [2.EA]
■	2772016	TUBE W/BEARING RACE ASSEMBLY 52"	108 2261705	WASHER-NYLATRON A/T			
			109 2266400	COVER-PULLEY STAMPING			

**Seal & Oring Kit P/N 2889460

* This item is part of an assembly. This item cannot be sold separately due to machining and /or assembly that is required.

P/N 2264932 REV.C

7-01

