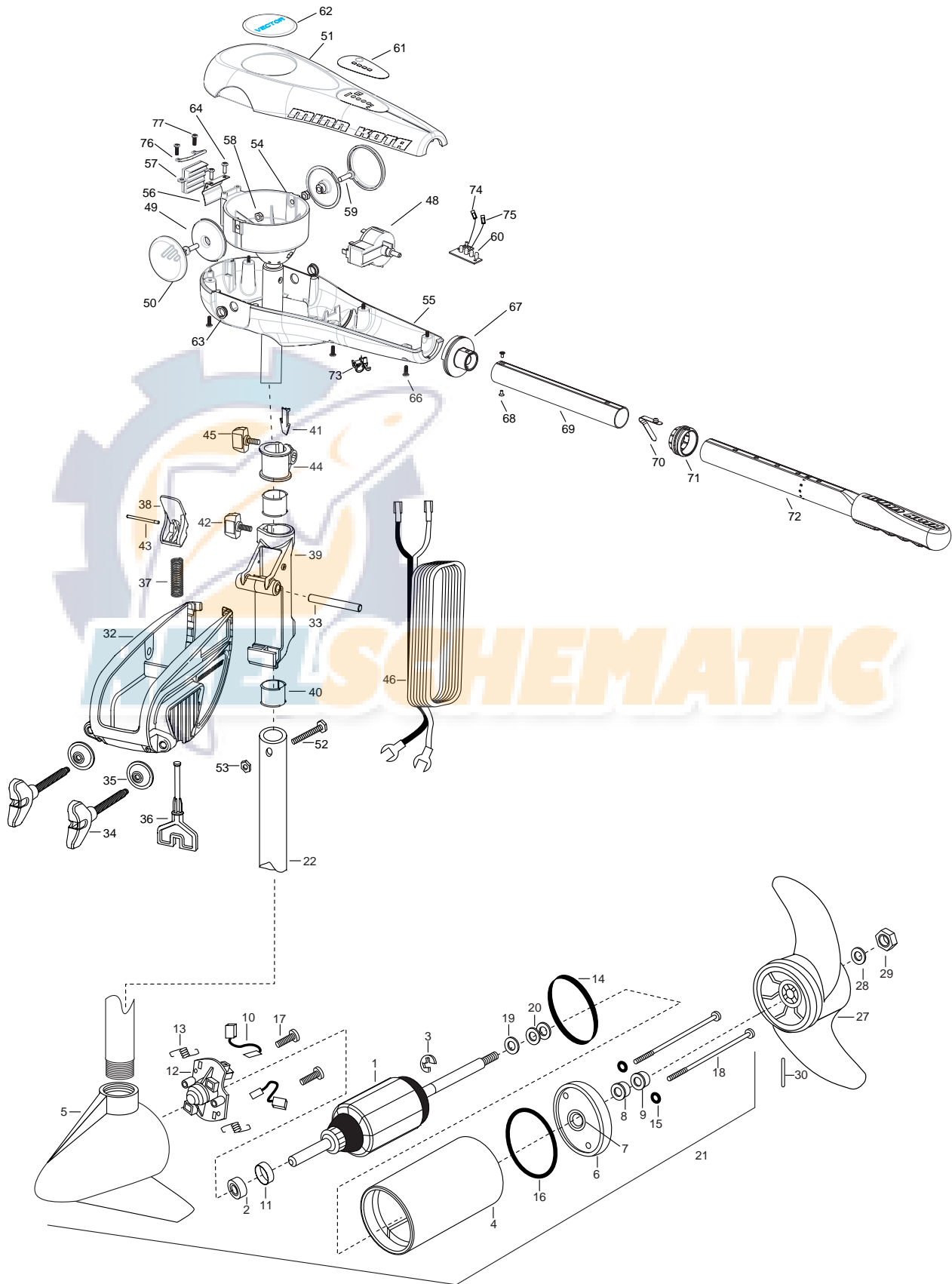


**VECTOR 40
LEVER LOCK BRACKET
40 LBS. THRUST
12 VOLT 42 AMPS
36" SHAFT**

for use with motors with serial numbrs beginning MKAE
2-year warranty from the date of purchase



1	2-100-178	ARMATURE ASSEMBLY 12V 3.25	36	2063605	T-BAR PLASTIC
2	788-015	RETAINING RING	37	2062706	SPRING- T-BAR ENDURA
3	2-200-09	CENTER HOUSING ASSEMBLY 3.25 TXT	38	2067201	LEVER- TILT BLACK
4	2-300-132	BRUSH END HOUSING ASSEMBLY 3.25 SP.CO	39	2061810	HINGE-PLASTIC
5	2-400-127	HOUSING- PLAIN END ASSEMBLY	40	2037301	BUSHING-HINGE [2.EA]
6	880-003	**SEAL	41	2062800	TENSION BLOCK- SNAP IN
7	880-006	**SEAL W/SHIELD	42	2011385	SCREW-TENSION/NEW KNOB
8	144-050	BEARING- SPHERICAL	43	2060515	PIN- TILT LEVER
9	188-052	BRUSH ASSEMBLY [2.EA]	44	2061520	COLLAR-DEPTH ((ENDURA)
10	725-033	BRUSH RETENTION- PAPER TUBE	45	2011365	SCREW-COLLAR W/NEW KNOB
11	737-031	BRUSH PLATE W/HOLDER 3.25 ASSEMBLY INCLUDES 8,11,12,13	46	2050609	LEADWIRE 10 GA SPADE TERM
12	784-036	BEARING RETAINER	48	2064023	SWITCH - 5 SPD.
13	991-025	WASHER- FELT	49	2070110	PIVOT KNOB [2 EA.]
14	975-032	SPRING- COMPRESSION	50	2070115	COVER PIVOT KNOB [2 EA.]
15	116-020	BALL- STEEL	51	2070211	CONTROL BOX COVER
16	303-039	THRUST DISC- METAL	52	2033401	SCREW 10-24 X 1-3/4"
17	701-007	**O-RING [2.EA]	53	2013110	NUT-HEX ZINC/CAD PLATE
18	701-039	**O-RING MK406460	54	2071520	YOKE PIVOT
19	701-041	**O-RING	55	2072501	CONTROL BOX
20	830-001	SCREW- SELF THREAD 8-32X1.7 [2.EA]	56	2072705	SPRING DETENT
21	830-078	THRU BOLT 8-32X8.96 [2.EA]	57	2072810	DETENT BLOCK, TILT
22	990-067	WASHER- STEEL	58	2073100	NUT-1/4-20" NYLOC [2 EA.]
23	990-070	WASHER- NYLATRON [2.EA]	59	2073408	SCREW 1/4-20 [2 EA.]
24	144-049	BEARING- FLANGE- SERVICE ONLY	60	2074070	BATTERY METER
25	2069041	MOTOR ASSEMBLY 12V 3.25 5SPC TXT	61	2075600	DECAL-COVER 40T VECTOR
26	2032052	TUBE- COMPOSITE 36"	62	2075605	DECAL-COVER PLUG
■	1378121	PROP KIT (includes 27-30)	63	2077316	BUSHING PIVOT [2 EA.]
27	2061122	PROP- WEEDLESS WEDGE	64	2372100	SCREW 8-18 X 1/2" [2 EA.]
28	2151726	WASHER- 5/15 STD SS	66	2012100	SCREW 8-18 X 5/8" [6 EA.]
29	2053101	NUT-PROP NYLOC 5/16 SS	67	2070407	PIVOT HANDLE
30	2092600	PIN-DRIVE SS	68	2072102	SCREW #6 X 1/4"
■	2991815	BRACKET & HINGE ASSEMBLY RED KNOB	69	2070425	HANDLE TUBE
■	2771910	BRACKET W/CLAMP SCREW ASSEMBLY (INCL.32,34,35)	70	2070411	LATCH-BUTTON
*32	2061910	BRACKET PLASTIC	71	2070010	BEARING
33	2060510	PIN-HINGE- ENDURA	72	2990941	HANDLE ASSEMBLY-EXT.
*34	2061300	SCREW- CLAMP	73	2052900	STRAIN RELIEF
*35	2011710	WASHER- CLAMP SCREW 1.50D	74	2070304	WIRE BATTERY METER BLACK
■	2881300	CLAMP SCREW, WASHER, RETAINER KIT	75	2070305	WIRE BATTERY METER RED
			76	2072815	BRACKET - TILT STOP
			77	2332101	SCREW #8-32 X 1/2" SS [2 EA.]

**Seal & Oring Kit P/N 2883460 * This item is part of an assembly. This item cannot be sold separately due to machining and /or assembly that is required.

12 Volt system

