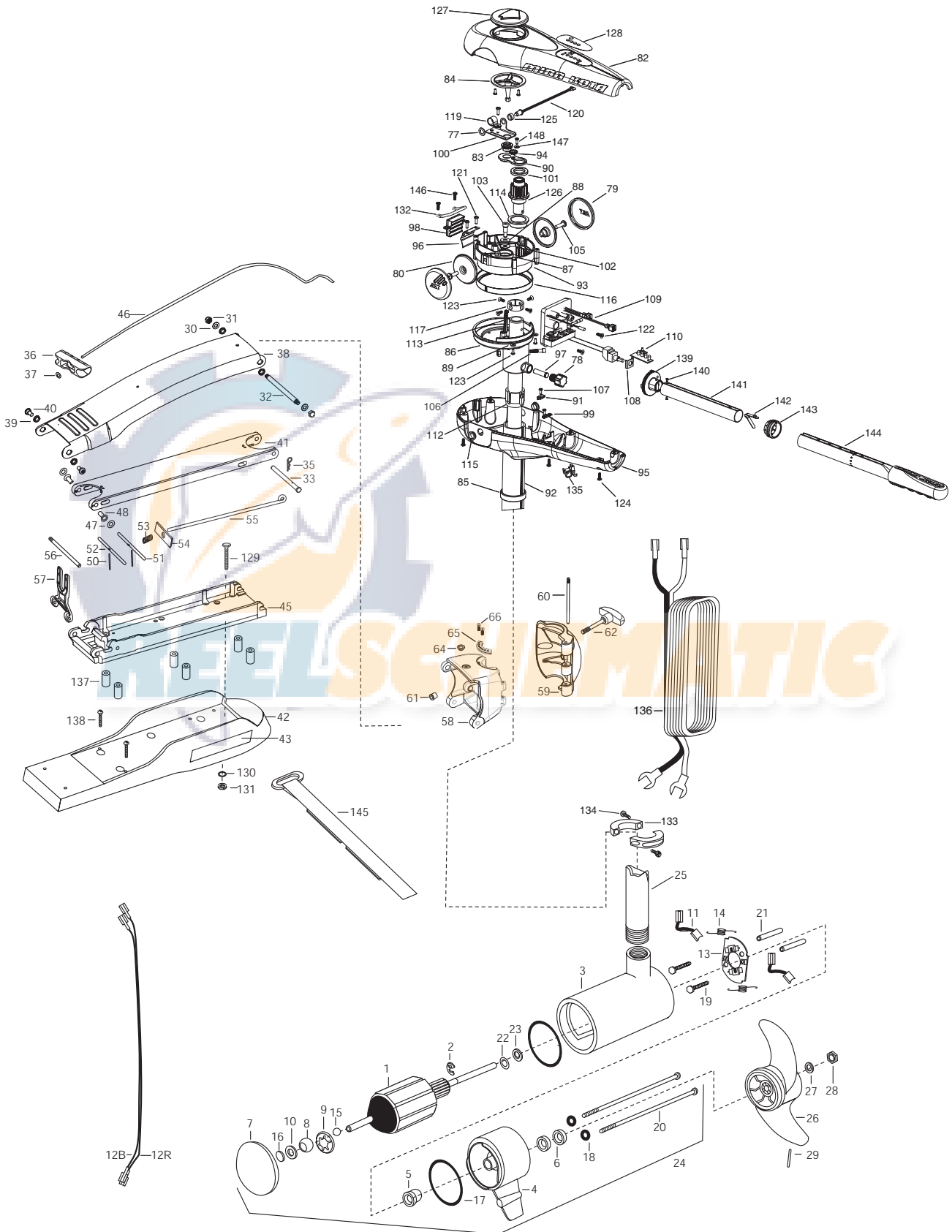


**RT74/B/H - 3X STEERING
LATCH AND DOOR MOUNT
74 LBS THRUST
24 VOLT
52" SHAFT**

for use with motors with serial numbers beginning MKAE
3-year warranty from the date of purchase



1	2-100-103	ARMATURE ASSEMBLY 24V 4"	47	2261707	WASHER-3/8X1/2X.010" SS [2.EA]	106	2073410	SCREW
2	788-040	RETAINING RING	48	2236000	BEARING NYLINER-[2.EA]	107	2073414	SCREW 6-32 PPH [2 EA.]
3	2-200-397	CENTER HOUSING ASSEMBLY 4.0 TXT	50	2152612	SPRING-PIN LOCKBAR [2.EA]	108	2074000	POT CLIP
4	2-300-340	BRUSH END HOUSING ASSEMBLY	51	2233621	LOCK BAR- BOW MOUNT	109	2074061	CONTROL BOARD ASSEMBLY
5	144-017	BEARING- FLANGE (SERVICE ONLY)	52	2233623	LOCK BAR, REAR - SS	110	2074081	BATTERY METER
6	880-025	SEAL [2.EA]	53	2152701	SPRING-LOCKBAR SS	112	2075100	TENSION SLEEVE
7	2-400-341	PLAIN END HOUSING ASSEMBLY	54	2262703	SPRING STOP	113	2076701	KEY - TUBE
8	144-021	BEARING SPHERICAL	55	2153603	EYE SHAFT-2LOCKBAR STD-SS	114	2077305	BEARING UPPER
9	784-025	BEARING RETAINER	56	2260505	HINGE-PIN HEADLESS-SS	115	2077316	BUSHING-PIVOT [2 EA.]
10	991-040	WASHER- FELT	57	2293811	YOKE,MAX MNT-POLYPROPYLENE	116	2077320	BEARING - GEAR CARRIER
11	186-094	BRUSH [2.EA]	■	2881828	HINGE/BASE ASSEMBLY	117	2071560	COLLAR TUBE
12B	640-021	LEADWIRE-BLACK 10 AWG 68 1/2"	58	2991828	HINGE BASE/INSERT ASSEMBLY SW	118	2223468	SCREW 8-32 [4 EA.]
12R	640-126	LEADWIRE-RED 10 AWG 70"	59	2261859	HINGE DOOR- SW TEXT WHITE	119	2263201	CLAMP WIRE HARNESS
13	738-040	BRUSH PLATE 4"	60	2262642	PIN-HINGE DOOR, RT HNG/DOOR	120	2264015	LIGHT INDICATOR
14	975-041	SPRING- TORSION [2.EA]	61	2264706	INSERT HINGE BASE (STD MNT)	121	2372100	SCREW 8-18 SS [2 EA.]
15	116-025	BALL- STEEL	62	2260186	KNOB-HINGE COVER SW SS	122	2332101	SCREW 8-32 SS [4 EA.]
16	303-043	THRUST DISC- METAL	64	2262315	EYELET-ROPE SS	123	2303412	SCREW 6-20 [2 EA.]
17	701-043	**O-RING [2.EA]	■	2994845	ORIENTATION RING BAG ASSEMBLY	124	2303412	SCREW 6-20 X 5/8" [6 EA.]
18	701-009	**O-RING - THRU BOLT [2.EA]			(INCLUDES ITEMS 65,66 AND HEX WRENCH)	125	2071525	SPACER-INDICATOR LIGHT
19	830-027	SCREW -SELF THREAD 10-32X2 [2.EA]	65	2072825	ORIENTATION RING	126	2992205	PINION - MAIN
20	830-094	THRU BOLT 12-24X10.31 [2.EA]	66	2073416	SCREW #8-32 X 1/2" SSCS [2 EA.]	127	2998601	INDICATOR ASSEMBLY
21	973-025	SPACER- BRUSH PLATE [2.EA]	77	2013100	SPEED NUT	128	2075616	DECAL COVER RT 74 W/3X
22	990-051	WASHER- STEEL	78	2070105	KNOB-TENSION SLEEVE	■	2994830	BAG ASSEMBLY - MAXXUM VECTOR
23	990-052	WASHER- NYLATRON	80	2070110	PIVOT KNOB [2 EA.]	*129	2263431	1/4-20X3.5" PPH [6.EA]
24	2317046	MOTOR ASSEMBLY 24V 4" VARS TXT006	79	2070118	COVER-PIVOT KNOB[2 EA.]	*130	2261713	WASHER 1/4 FLAT SS [6.EA]
25	2072011	TUBE- COMPOSITE 3:1 52"	82	2070206	COVER 3:1	*131	2263103	NUT 1/4-20 NYLOC-JAM SS [6.EA]
■	1378129	PROPELLER KIT	83	2070800	COUPLER SOCKET	132	2072815	BRACKET-TILT STOP
26	2331120	PROPELLER W/WEDGE	84	2070810	COUPLER DRIVE	133	2261622	COLLAR HALF [2EA.]
27	2091701	WASHER-5/16 SS	85	2071500	LOWER COLLAR SUPPORT	134	2263453	SCREW 1/4-20 X 1" [2 EA.]
28	2198401	ANODE	86	2071513	YOKE-PIVOT	135	2052900	STRAIN RELIEF
29	2092600	PIN-DRIVE	87	2071710	WASHER NYLATRON [2 EA.]	136	2090650	LEADWIRE
30	2261707	WASHER 1/4 [2.EA]	88	2071712	WASHER SS	■	2994832	BAG ASSEMBLY
31	2223100	NUT- TENSION 5/16-18 SS [2 .EA]	89	2071714	WASHER FLAT #6 [2 EA.]	*137	2261505	SPACER, MOTOR REST
32	2262604	PIN- BWGRD UPPER THREADED	90	2071900	IDLER PLATE	*138	2263434	SCREW 8-18 X 1" PPH SS [2 EA.]
33	2262606	CLEVIS PIN ZP MAXXUM BWGRD	91	2071905	BRACKET- SENSOR	139	2990404	PIVOT HANDLE ASSEMBLY
35	2260800	SPRING CLIP	92	2072091	OUTER TUBE 3:1 52"	140	2072102	SCREW #6 X 1/4" [2 EA.]
36	2150400	PULL-GRIP	93	2072210	GEAR CARRIER	141	2070425	HANDLE TUBE
37	2151700	WASHER-EYE SHAFT(.562 OD)	94	2072215	GEAR- IDLER	142	2070411	LATCH-BUTTON
■	2771828	HINGE BASE/BOWMOUNT ASSEMBLY	95	2072502	CONTROL BOX	143	2070010	BEARING
■	2991857	MOUNT, BOW ASSEMBLY	96	2072705	SPRING DETENT	144	2990930A	HANDLE ASSEMBLY-EXT.
38	2264244	ARM-UPPER, SW,STD., WHITE	97	2072710	SPRING TENSION SLEEVE	145	2263804	STRAP-HOLD DOWN
39	2293501	BUSHING, STAINLESS STEEL [4.EA]	98	2072810	DETENT BLOCK-TILT	146	2332101	SCREW #8-32 X 1/2" SS [2 EA.]
40	2263500	BOLT- SHOULDER (MAXXUM) [2.EA]	99	2072811	DETENT BLOCK-SWITCH	147	2071720	#4 WASHER SS
41	2994310	ARM-LOWER ASSEMBLY,STD., WHITE	100	2072900	RETAINER COUPLER	148	2373440	#4 SCREW SS
42	2263914	MOTOR REST STD. MAXXUM	101	2073000	RING PRELOAD			
43	2065676	DECAL-MAXXUM,MOTOR REST [2.EA]	102	2073100	HEX NUT - NYLOC [3 EA.]			
45	2993983	BOWPLATE,STD. FW-MACH/INSERT	103	2073400	SCREW 5/16" X 1/2" SHOULDER			
46	2251601	ROPE (40'), MAXXUM MOUNT	105	2073408	SCREW [2 EA.]			

****Seal & Oring Kit P/N 2889460**

* This item is part of an assembly. This item cannot be sold separately due to machining and /or assembly that is required.

P/N 2074904

REV.C 5-04

