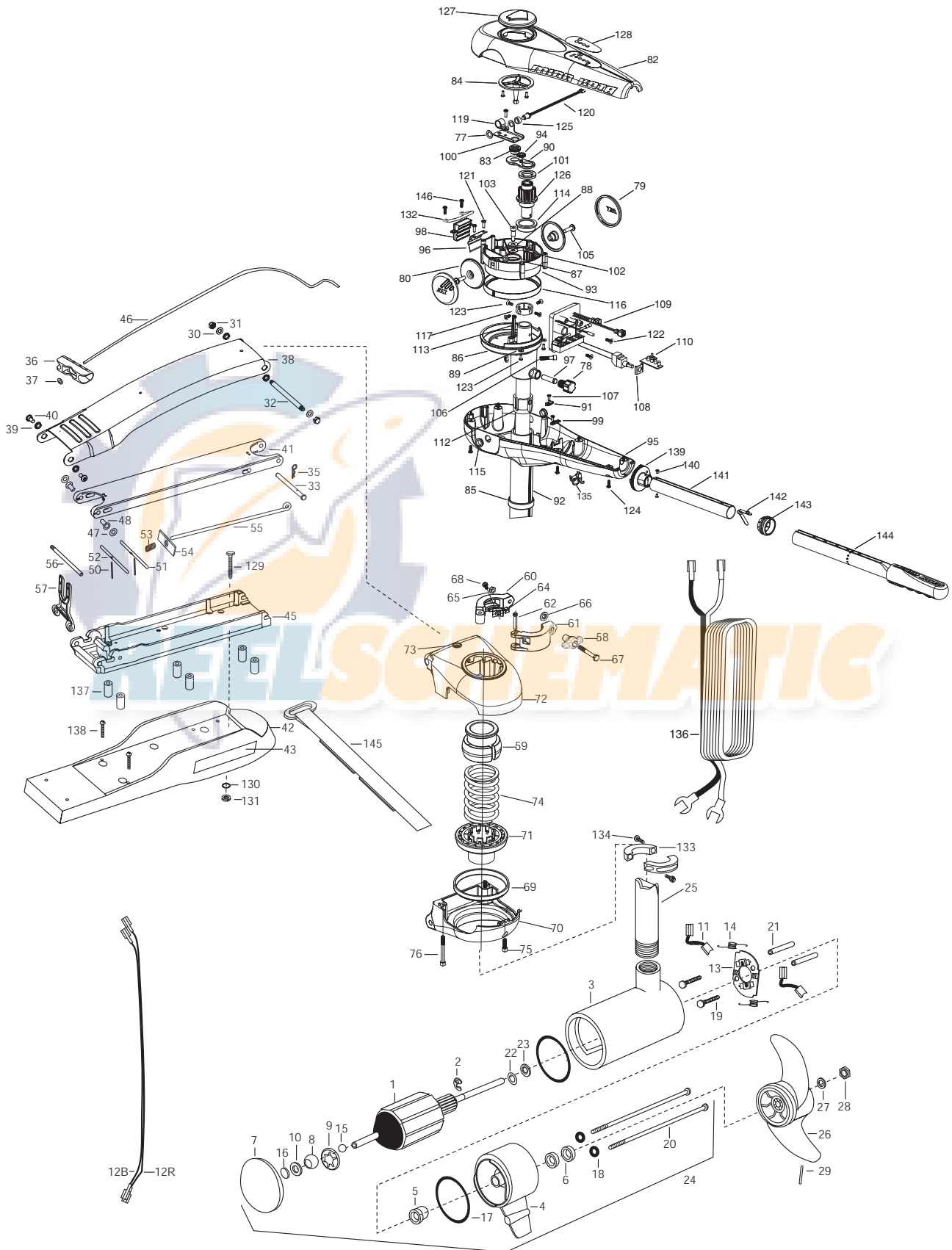


RT74/B/H - 3X STEERING
BOWGUARD 360° MOUNT
74 LBS THRUST
24 VOLT 45 AMPS
52" SHAFT

for use with motors with serial numbers beginning MKAE
3-year warranty from the date of purchase



| | | | | | | | | |
|-----|-----------|-------------------------------------|-----|---------|---------------------------------|------|---------|--------------------------------|
| 1 | 2-100-103 | ARMATURE ASSEMBLY 24V 4" | 50 | 2152612 | SPRING-PIN LOCKBAR [2.EA] | 98 | 2072810 | DETENT BLOCK-TILT |
| 2 | 788-040 | RETAINING RING | 51 | 2233621 | LOCK BAR-BOW MOUNT | 99 | 2072811 | DETENT BLOCK-SWITCH |
| 3 | 2-200-397 | CENTER HOUSING ASSEMBLY 4.0 TXT | 52 | 2233623 | LOCK BAR, REAR - SS | 100 | 2072900 | RETAINER COUPLER |
| 4 | 2-300-340 | BRUSH END HOUSING ASSEMBLY | 53 | 2152701 | SPRING-LOCKBAR-SS | 101 | 2073000 | RING PRELOAD |
| 5 | 144-017 | BEARING-FLANGE (SERVICE ONLY) | 54 | 2262703 | SPRING STOP | 102 | 2073100 | HEX NUT - NYLOC |
| 6 | 880-025 | **SEAL [2.EA] | 55 | 2153603 | EYE SHAFT-2LOCKBAR-SS | 103 | 2073400 | SCREW 5/16" X 1/2" SHOULDER |
| 7 | 2-400-341 | PLAIN END HOUSING ASSEMBLY | 56 | 2260505 | HINGE-PIN HEADLESS-SS | 105 | 2073408 | SCREW [2 EA.] |
| 8 | 144-021 | BEARING SPHERICAL | 57 | 2293811 | YOKE,MAX MNT-POLYPROPYLENE | 106 | 2073410 | SCREW |
| 9 | 784-025 | BEARING RETAINER | ■ | 2991894 | BOWGUARD ASSEMBLY | 107 | 2073414 | SCREW 6-32 PPH [2 EA.] |
| 10 | 991-040 | WASHER- FELT | 58 | 2070120 | KNOB CLAMP COLLAR | 108 | 2074000 | POT CLIP |
| 11 | 186-094 | BRUSH [2.EA] | 59 | 2071541 | SPRING SLEEVE-UPPER | 109 | 2074061 | CONTROL BOARD ASSEMBLY |
| 12B | 640-021 | LEADWIRE-BLACK 10 AWG 68 1/2" (52") | ■ | 2991555 | COLLAR/CLAMP ASSEMBLY | 110 | 2074081 | BATTERY METER |
| 12R | 640-126 | LEADWIRE-RED 10 AWG 74" (52") | 60 | 2071550 | COLLAR CLAMP "A" | 112 | 2075100 | TENSION SLEEVE |
| 13 | 738-004 | BRUSH PLATE 4" | 61 | 2071555 | COLLAR CLAMP "B" | 113 | 2076700 | KEY - TUBE |
| 14 | 975-041 | SPRING- TORSION [2.EA] | 62 | 2072621 | PIN KNURLED | 114 | 2077305 | BEARING UPPER |
| 15 | 116-025 | BALL- STEEL | 64 | 2072821 | ORIENTATION BLOCK | 115 | 2077316 | BUSHING-PIVOT [2 EA.] |
| 16 | 303-043 | THRUST DISC- METAL | 65 | 2073100 | NUT - NYLOC | 116 | 2077320 | BEARING - GEAR CARRIER |
| 17 | 701-043 | **O-RING [2.EA] | 66 | 2071718 | WASHER NYLON | 117 | 2071560 | COLLAR TUBE |
| 18 | 701-009 | **O-RING - THRU BOLT [2.EA] | 67 | 2073412 | SCREW 1/4 - 28"HHC | 118 | 2223468 | SCREW 5/16" X 4 EA.] |
| 19 | 830-027 | SCREW -SELF THREAD 10-32X2 [2.EA] | 68 | 2223454 | SCREW 10-32 SS | 119 | 2263201 | CLAMP WIRE HARNESS |
| 20 | 830-094 | THRU BOLT 12-24X10.31 [2.EA] | ■ | 2991877 | BRACKET/BEARING ASSEMBLY | 120 | 2264015 | LIGHT INDICATOR |
| 21 | 973-025 | SPACER- BRUSH PLATE [2.EA] | *69 | 2261531 | BEARING | 121 | 2372100 | SCREW 8-18 SS [2 EA.] |
| 22 | 990-051 | WASHER- STEEL | *70 | 2262048 | BRACKET BASE BOTTOM | 122 | 2332101 | SCREW 8-32 SS [2 EA.] |
| 23 | 990-052 | WASHER- NYLATRON | 71 | 2261535 | SPRING SLEEVE | 123 | 2303412 | SCREW 6-20 [2 EA.] |
| 24 | 2317046 | MOTOR ASSEMBLY 24V 4" VARS 52" | 72 | 2261972 | BRACKET BASE TOP | 124 | 2303412 | SCREW 6-20 X 5/8" [6 EA.] |
| 25 | 2072011 | TUBE- COMPOSITE 3:1 52" | 73 | 2262315 | EYELET ROPE | 125 | 2071525 | SPACER-INDICATOR LIGHT |
| ■ | 1378122 | PROPELLER KIT (includes 26-29) | 74 | 2262705 | SPRING BOWGUARD | 126 | 2992205 | PINION - MAIN |
| 26 | 2331120 | PROPELLER W/WEDGE | 75 | 2263408 | SCREW 1/4 - 20" SS | 127 | 2998601 | INDICATOR ASSEMBLY |
| 27 | 2091701 | WASHER-5/16 SS | 76 | 2263404 | SCREW 1/4 - 20" SHCP SS [2 EA.] | 128 | 2075616 | DECAL COVER RT 74 W/3X |
| 28 | 2198401 | ANODE | 77 | 2333100 | SPEED NUT | ■ | 2994830 | BAG ASSEMBLY - MAXXUM VECTOR |
| 29 | 2092600 | PIN-DRIVE | 78 | 2070105 | KNOB-TENSION SLEEVE | *129 | 2263431 | 1/4-20X3.5" PPH [6.EA] |
| 30 | 2261722 | WASHER 1/4 FLAT SS [2.EA] | 80 | 2070110 | PIVOT KNOB [2 EA.] | *130 | 2261713 | WASHER 1/4 FLAT SS [6.EA] |
| 31 | 2223100 | NUT- TENSION 5/16-18 SS [2 .EA] | 79 | 2070118 | COVER-PIVOT KNOB [2 EA.] | *131 | 2263103 | NUT 1/4-20 NYLOC-JAM SS [6.EA] |
| 32 | 2262604 | PIN- BWGRD UPPER THREADED | 82 | 2070206 | COVER 3:1 | 132 | 2072815 | BRACKET-TILT STOP |
| 33 | 2262606 | CLEVIS PIN MAXXUM BWGRD-SS | 83 | 2070800 | COUPLER SOCKET | 133 | 2261622 | COLLAR HALF [2 EA.] |
| 35 | 2260800 | SPRING CLIP-SS | 84 | 2070810 | COUPLER DRIVE | 134 | 2263453 | SCREW 1/4-20 X 1" [2 EA.] |
| 36 | 2150400 | PULL-GRIP | 85 | 2071500 | COLLAR-LOWER | 135 | 2052900 | STRAIN RELIEF |
| 37 | 2151700 | WASHER-EYE SHAFT,(562 OD) | 86 | 2071513 | YOKE-PIVOT SUPPORT | 136 | 2090650 | LEADWIRE |
| ■ | 2991857 | MOUNT, BOW ASSEMBLY | 87 | 2071710 | WASHER NYLATRON [2 EA.] | ■ | 2994832 | BAG ASSEMBLY-MAXXUM VECTOR |
| 38 | 2264244 | ARM-UPPER SW,STD. | 88 | 2071712 | WASHER SS | *137 | 2261505 | SPACER, MOTOR REST [6.EA] |
| 39 | 2293501 | BUSHING, STAINLESS STEEL [4.EA] | 89 | 2071714 | WASHER FLAT #6 [2 EA.] | *138 | 2263434 | SCREW, 8-18 X 1" PPH SS [2.EA] |
| 40 | 2263500 | BOLT- SHOULDER (MAXXUM) [2.EA] | 90 | 2071900 | IDLER PLATE | 139 | 2990404 | PIVOT HANDLE ASSEMBLY |
| 41 | 2994310 | ARM-LOWER ASSEMBLY,STD,SWEXT | 91 | 2071905 | BRACKET- SENSOR SWITCH | 140 | 2072102 | SCREW #6 X 1/4" [2 EA.] |
| 42 | 2263914 | MOTOR REST STD. MAXXUM | 92 | 2072091 | OUTER TUBE 3:1 52" | 141 | 2070425 | HANDLE TUBE |
| 43 | 2065676 | DECAL-MAXXUM,MOTOR REST [2.EA] | 93 | 2072210 | GEAR CARRIER | 142 | 2070411 | LATCH-BUTTON |
| 45 | 2993983 | BOWPLATE,STD, SW-MACH/INSERT | 94 | 2072215 | GEAR- IDLER | 143 | 2070010 | BEARING |
| 46 | 2251601 | ROPE (40"), MAXXUM MOUNT | 95 | 2072502 | CONTROL BOX | 144 | 2990930 | HANDLE ASSEMBLY-EXT. |
| 47 | 2261707 | WASHER-3/8X1/2X.010" SS [2.EA] | 96 | 2072705 | SPRING DETENT | 145 | 2263804 | STRAP-HOLD DOWN |
| 48 | 2236000 | BEARING NYLINER-[2.EA] | 97 | 2072710 | SPRING TENSION SLEEVE | 146 | 2332101 | SCREW #8-32 X 1/2"SS [2 EA.] |

**Seal & Oring Kit P/N 2889460

* This item is part of an assembly. This item cannot be sold separately due to machining and /or assembly that is required.

P/N 2074903

REV.A 7-03

