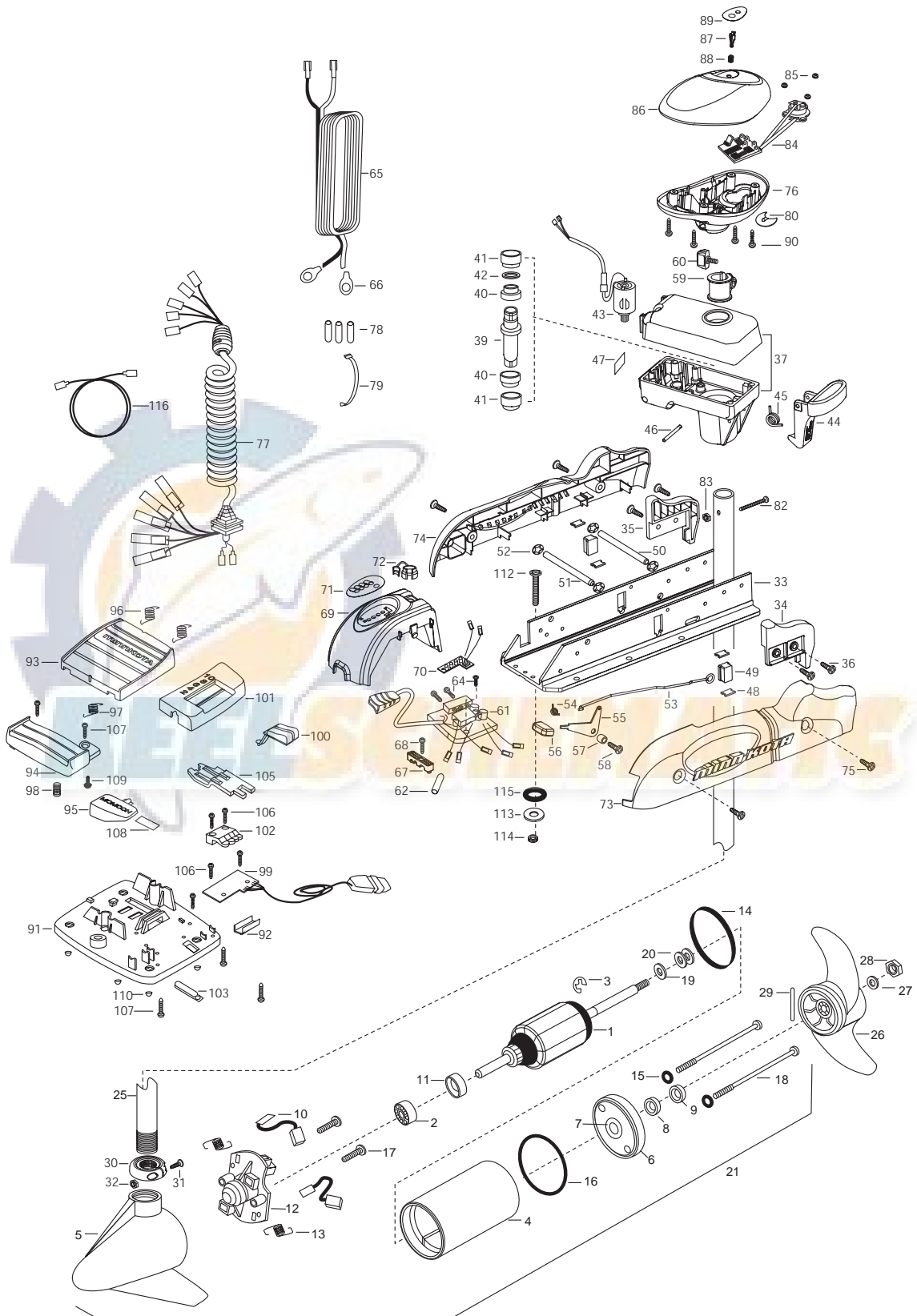


55PD/AP
55 LBS THRUST
12 VOLT 50 AMPS
54" , 48", OR 60"
SHAFT

for use with "WWAF" serial numbers
3-year warranty from the date of purchase



1	2-100-115	ARMATURE ASSEMBLY	■	2882011	BUSHING/ OUTSHAFT KIT	2991262	COIL CORD W STRAIN RELIEF 60"
2	140-010	BALL BEARING			(INCLUDES 39-42)	78	2065400 WIRE INSULATOR-LGE 1-3/4 [3.EA]
3	788-015	RETAINING RING	*39	2302010	DRIVE HOUSING OUTPUT SHAFT	79	9950433 TIE WRAP-4" BLACK
4	431-101	HOUSING ASSEMBLY CENTER 3.62 TXT	*40	2307304	BUSHING- INNER [2.EA]	80	2224700 INSERT- PLUG
5	421-065	HOUSING -BRUSH END 3.62 TXT	*41	2307305	BUSHING- OUTER [2.EA]	82	2332102 SCREW-10-24 X 1-3/4
	9421-165	HOUSING- BRUSH END 3.62 SONAR 48"	*42	2304603	O-RING	83	2333101 NUT-HEX 10-24 NYLOC
	9421-166	HOUSING- BRUSH END 3.62 SONAR 54"/60"	43	2307045	MOTOR- DRIVE HOUSING HIGH SPD	84	2994014 CNTRL BRD/CMPSS ASSMBLY-AUTOPILOT
6	2-400-101	PLAIN END HOUSING ASSEMBLY 3.625	44	2307205	LATCH HANDLE PD/AP	85	2302960 GROMMET-COMPASS [3.EA]
7	144-049	BEARING - FLANGE (SERVICE ONLY)	45	2302750	SPRING- LATCH TORSION PD/AP	86	2300235 CONTROL BOX COVER
8	880-003	SEAL	46	2302607	PIN- DRIV-LOK GROOVE ZINC TYPE	87	2304082 ACTUATOR- SWITCH ON/OFF A/P
9	880-006	SEAL WITH SHIELD	47	2305515	DECAL-STOW/DEPLOY	88	2302752 SPRING- ACTUATOR PD/AP SS
10	188-036	BRUSH ASSEMBLY [2.EA]	48	2305110	PAD-PIVOT SUPT [4.EA]	89	2305661 DECAL- COVER 55PD/AP
11	725-050	BRUSH RETENTION- PAPER TUBE	49	2305101	PIVOT PAD [2.EA]		2305682 DECAL - COVER 55PD/AP/SONAR
12	738-036	BRUSH PLATE W/HOLDER	50	2300500	PIN-LATCH	90	2372100 SCREW-8-18 X 5/8 [4.EA]
13	975-040	SPRING - TORSION [2.EA]	51	2300510	PIN-PIVOT	■	2774700 FOOT PEDAL ASSEMBLY
14	337-036	GASKET	52	2013100	NUT-SPEED [4.EA]	91	2304511 FOOT PEDAL BASE
15	701-008	O-RING, THRU-BOLT [2.EA]	53	2303612	ROD-RELEASE RT/AP SS	92	2308500 WEAR PLATE FOOT PDL
16	701-081	O-RING	54	2302700	SPRING-RELEASE LEVER	93	2304516 FOOT PEDAL-UPPER
17	830-007	SCREW-8-32 [2.EA]	55	2303710	LEVER-RELEASE	94	2304520 FOOT PEDAL-LOWER
18	830-042	THRU-BOLT 10-32X8.83 [2.EA]	56	2300101	RELEASE-KNOB	95	2307210 LEVER MOM/CON-
19	990-067	WASHER- STEEL THRUST	57	2301700	SPACER-RELEASE LEVER	96	2302730 SPRING-LONG-UPPER PEDAL [2.EA]
20	990-070	WASHER - NYLATRON [2.EA]	58	2303430	SCREW-1/4-20 X 5/8	97	2302731 SPRING-SHORT-UPPER PEDAL
21	2097090	MOTOR ASSEMBLY 12V 3.62 VARS F/W	59	2031522	COLLAR- DRIVE (W/INSERT)	98	2302732 SPRING-LOWER PEDAL
	2107090	MOTOR ASMBLY-SONAR 12V 3.62 VARS 48"	60	2011365	SCREW-COLLAR/NEW KNOB	99	2304012 CONTROL BOARD ASSEMBLY-FT PDL
	2107091	MOTOR ASMBLY-SONAR 12V 3.62 VARS 54"	61	2304041	CONTROL BOARD ASSEMBLY- 12V PD/AP	100	2300120 KNOB-SPEED SELECTOR
25	2032076	TUBE- COMPOSITE 54"	62	2355410	SHRINK TUBE-1/2 ODX2	101	2300121 HOUSING SPEED SELECTOR
	2032075	TUBE- COMPOSITE 48"	64	2332100	SCREW-8-32 X 3/8 [3.EA]	102	2302840 ACTUATOR-BOARD
	2032077	TUBE - COMPOSITE 60"	65	2090601	LEADWIRE IOGA 44"	103	2302841 ACTUATOR-MOM/CON
■	1378131	PROPELLER KIT	66	2020700	TERMINAL RING [2.EA]	105	2302842 ACTUATOR-STEERING
26	2091160	PROPELLER W/WEDGE 2	67	2222906	STRAIN RELIEF- BRACKET PD/AP	106	2302100 SCREW-6-20 X 1/2 [5.EA]
27	2151726	WASHER-5/16 SS	68	2303430	SCREW-1/4-20 X 5/8	107	2372100 SCREW-8-18 X 5/8 [5.EA]
28	2053101	NUT-PROP NYLOC	69	2306555	HOUSING- CENTER PD/AP	108	2266610 DECAL-ON/OFF SWITCH
29	2092600	PIN-DRIVE	70	2034025	BATTERY GAUGE - 12 VOLT	109	2335130 BUMPER ACTUATOR
30	2301545	COLLAR- LATCH PD/AP	71	2306609	DECAL, BATTERY GAUGE	110	2994807 BAG ASSEMBLY- 4 RUBBER BUMPERS
31	2303434	SCREW- 8-32X5/8 MACH PHCR	72	2302935	STRAIN RELIEF-DR. HOUSING	■	2994803 BAG ASSEMBLY- (BOLT,NUT,WASHERS)
32	2303112	NUT 8-32 NYLOC SS	73	2303941	SIDEPLATE (RIGHT)	*112	2153501 BOLT-MOUNTING-3500 W/STG [4.EA]
33	2301932	EXTRUSION- BASE MACHINED	74	2303946	SIDEPLATE(LEFT)	*113	2151726 WASHER-5/16 [4.EA]
34	2303932	MOTOR REST- RIGHT LARGE	75	2303430	SCREW-1/4-20 X 5/8- [4.EA]	*114	2153100 NUT-5/16-18 MOUNTING [4.EA]
35	2303937	MOTOR REST- LEFT LARGE	76	2772515	CONTROL BOX / DECAL ASSEMBLY	*115	2301720 WASHER-MOUNTING RUBBER [6.EA]
36	2303430	SCREW 1/4-20X5/8 SELF TAP [4.EA]	77	2991261	COIL CORD W STRAIN RELIEF 54"	116	2211405 EXTENSION CABLE- SONAR
37	2301845	DRIVE HOUSING PD/AP 2001		2991260	COIL CORD W STRAIN RELIEF 48"		

