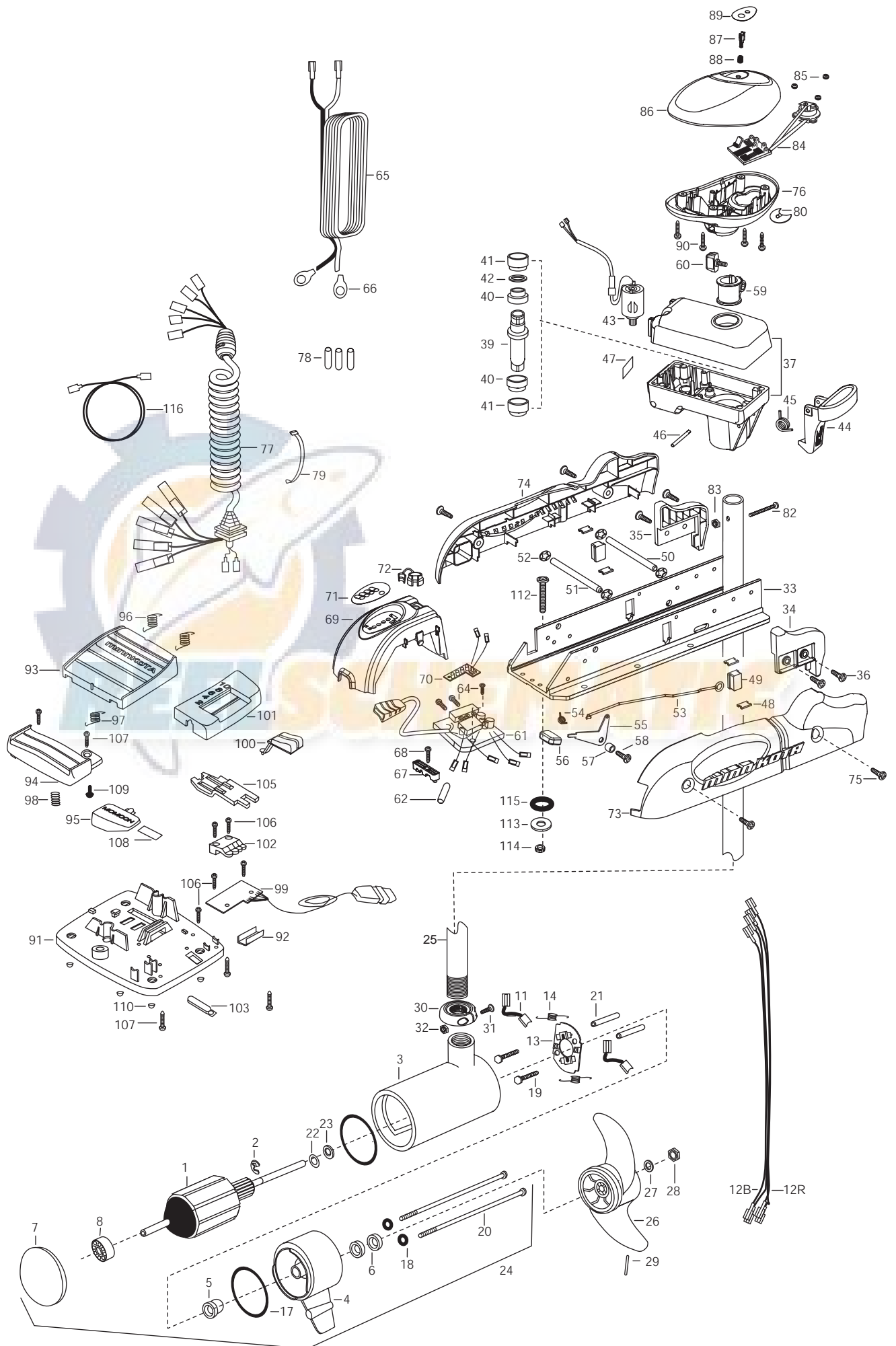


80PD/AP/US
80LBS THRUST
24 VOLT 56 AMPS
54" OR 60" SHAFT

for use with "WWAF" serial numbers
3-year warranty from the date of purchase



1	2-100-213	ARMATURE ASSEMBLY 24V 4"	*39	2302010	DRIVE HOUSING OUTPUT SHAFT	83	2333101	NUT-HEX 10-24 NYLOC
2	788-040	RETAINING RING	*40	2307304	BUSHING- INNER [2.EA]	84	2994014	CNTRL BRD/CMPSS ASSEMBLY-AUTOPILOT
3	2-200-160	CENTER HOUSING ASSEMBLY 4.0 TXT	*41	2307305	BUSHING- OUTER [2.EA]	85	2302960	GROMMET-COMPASS [3.EA]
	2-200-170	CENTER HOUSING ASSEMBLY 4.0- SONAR	*42	2304603	O-RING	86	2300235	CONTROL BOX COVER
4	2-300-160	BRUSH END HOUSING ASSEMBLY	43	2307050	MOTOR- DRIVE HOUSING HIGH SPD	87	2304082	ACTUATOR- SWITCH ON/OFF AP
5	144-017	BEARING- FLANGE (SERVICE ONLY)	44	2307215	LATCH HANDLE PD/AP	88	2302752	SPRING- ACTUATOR PD/AP SS
6	880-025	SEAL [2.EA]	45	2302750	SPRING- LATCH TORSION PD/AP	89	2305678	DECAL- COVER ON/OFF 80PD/AP
7	421-260	PLAIN END HOUSING ASSEMBLY	46	2302625	ROLL PIN 3/16 X 2"		2305679	DECAL- COVER ON/OFF 80 PD/AP/US
	9421-271 or 9421-270	54"/60" PLAIN END HSG ASSY SONAR	47	2305515	DECAL-STOW/DEPLOY	90	2372100	SCREW-8-18 X 5/8 [5.EA]
8	140-010	BALL BEARING	48	2305110	PAD-PIVOT SUPT [4.EA]	■	2774700	FOOT PEDAL ASSEMBLY
11	186-094	BRUSH [2.EA]	49	2305101	PIVOT PAD [2.EA]	91	2304511	FOOT PEDAL BASE
12B	640-017	LEADWIRE-BLACK 10 AWG 61 XLP	50	2300500	PIN-LATCH	92	2308500	WEAR PLATE FOOT PDL
12R	640-121	LEADWIRE-RED 10 AWG 62 1/2	51	2300510	PIN-PIVOT	93	2304516	FOOT PEDAL-UPPER
13	738-040	BRUSH PLATE 4"	52	2013100	NUT-SPEED [4.EA]	94	2304520	FOOT PEDAL-LOWER
14	975-041	SPRING- TORSION [2.EA]	53	2303612	ROD-RELEASE RT/AP SS	95	2307210	LEVER MOM/CON-
17	701-043	O-RING [2.EA]	54	2302700	SPRING-RELEASE LEVER	96	2302730	SPRING-LONG-UPPER PEDAL [2.EA]
18	701-009	O-RING - THRU BOLT [2.EA]	55	2303710	LEVER-RELEASE	97	2302731	SPRING-SHORTUPPER PEDAL
19	830-027	SCREW -SELF THREAD 10-32X2 [2.EA]	56	2300101	RELEASE-KNOB	98	2302732	SPRING-LOWER PEDAL
20	830-094	THRU BOLT 12-24X10.31 [2.EA]	57	2301700	SPACER-RELEASE LEVER	99	2304012	CONTROL BOARD ASSEMBLY-FT PDL
21	973-025	SPACER- BRUSH PLATE [2.EA]	58	2303430	SCREW-1/4-20 X 5/8	100	2300120	KNOB-SPEED SELECTOR
22	990-051	WASHER- STEEL	59	2031522	COLLAR- DRIVE (W/INSERT)	101	2300121	HOUSING SPEED SELECTOR
23	990-052	WASHER- NYLATRON	60	2011365	SCREW-COLLAR/NEW KNOB	102	2302840	ACTUATOR-BOARD
24	2316233	MOTOR ASSEMBLY 24V 4" VARS 54"	61	2304045	CTRL BOARD ASSEMBLY-24V PD/AP	103	2302841	ACTUATOR-MOM/CON
	2316238	MOTOR ASSEMBLY 24V 4" VARS 60"	62	2355410	SHRINK TUBE-1/2 ODX2	105	2302842	ACTUATOR-STEERING
	2326233	MOTOR ASSEMBLY-SONAR 24V VARS 54"	64	2332100	SCREW-8-32 X 3/8 [3.EA]	106	2302100	SCREW-6-20 X 1/2 [5.EA]
	2326238	MOTOR ASSEMBLY-SONAR 24V VARS 60"	65	2090651	LEADWIRE IOGA	107	2372100	SCREW-8-18 X 5/8 [5.EA]
25	2032078	TUBE- COMPOSITE 54"	66	2020700	TERMINAL RING [2.EA]	108	2266610	DECAL-ON/OFF SWITCH
	2032079	TUBE- COMPOSITE 60"	67	2222906	STRAIN RELIEF- BRACKET PD/AP	109	2335130	BUMPER ACTUATOR
■	1378132	PROPELLER KIT	68	2303430	SCREW-1/4-20 X 5/8	110	2994807	BAG ASSEMBLY- 4 RUBBER BUMPERS
26	2331160	PROPELLER W/WEDGE 2	69	2306555	HOUSING- CENTER PD/AP	■	2994803	BAG ASSEMBLY- (BOLT,NUT,WASHERS)
27	2091701	WASHER-5/16 SS	70	2034026	BATTERY GAUGE - 24 VOLT	*112	2153501	BOLT-MOUNTING-3500 W/STG [4.EA]
28	2093101	NUT-PROP NYLOC	71	2306609	DECAL, BATTERY GAUGE	*113	2151726	WASHER-5/16 [4.EA]
29	2262658	PIN-DRIVE	72	2302935	STRAIN RELIEF-DR. HOUSING	*114	2153100	NUT-5/16-18 MOUNTING [4.EA]
30	2301545	COLLAR- LATCH PD/AP	73	2303941	SIDEPLATE (RIGHT)	*115	2301720	WASHER-MOUNTING RUBBER [6.EA]
31	2303434	SCREW- 8-32X5/8 MACH PHCR	74	2303946	SIDEPLATE(LEFT)	116	2211405	EXTENSION CABLE- SONAR
32	2303112	NUT 8-32 NYLOC SS	75	2303430	SCREW-1/4-20 X 5/8- [4.EA]			
33	2301932	EXTRUSION- BASE MACHINED	76	2772515	CONTROL BOX / DECAL ASSEMBLY			
34	2303933	MOTOR REST- RIGHT 4"	77	2991261	COIL CORD W/STRAIN RELEIF 54"			
35	2303938	MOTOR REST- LEFT 4"		2991262	COIL CORD W/STRAIN RELEIF 60"			
36	2303430	SCREW 1/4-20X5/8 SELF TAP [4.EA]	78	2065400	WIRE INSULATOR-LGE 1-3/4 [3.EA]			
37	2991835	DRIVE HOUSING PD/AP 2001	79	9950433	TIE WRAP-4" BLACK			
■	2882011	BUSHING/ OUTSHAFT KIT	80	2224702	INSERT- PLUG			
		(INCLUDES 39-42)		2224700	INSERT - PLUG SONAR			
			82	2332102	SCREW-10-24 X 1-3/4			

