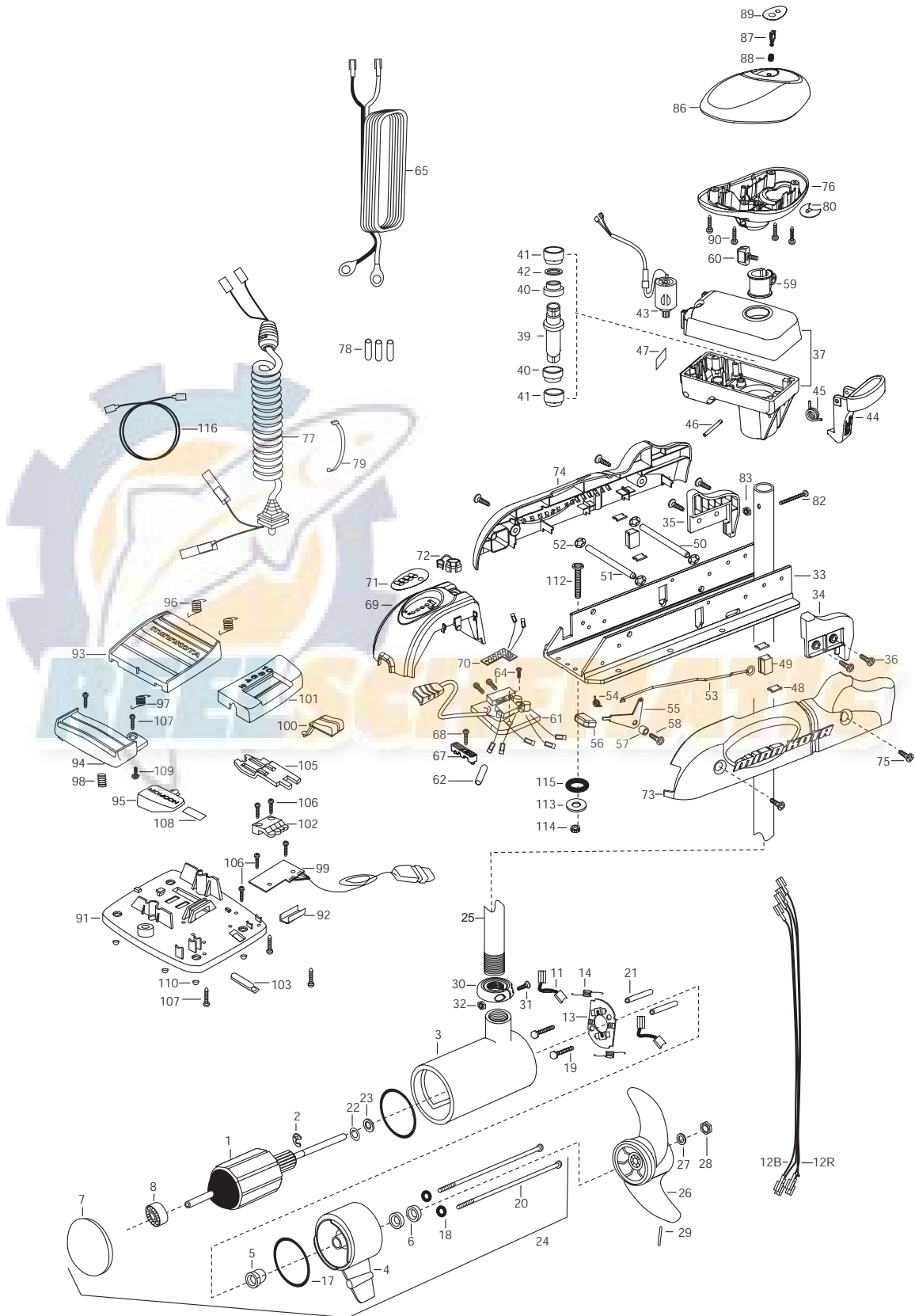


80PD
80LBS THRUST
24 VOLT 56 AMPS
54" OR 60" SHAFT

for use with "WWAF" serial numbers
2-year warranty from the date of purchase



1	2-100-213	ARMATURE ASSEMBLY 24V 4"	43	2307050	MOTOR- DRIVE HOUSING HIGH SPD	91	2304511	FOOT PEDAL BASE
2	788-040	RETAINING RING	44	2307215	LATCH HANDLE PD/AP	92	2308500	WEAR PLATE FOOT PDL
3	431-160	CENTER HOUSING ASSEMBLY 4.0 TXT	45	2302750	SPRING- LATCH TORSION PD/AP	93	2304516	FOOT PEDAL-UPPER
4	2-300-160	BRUSH END HOUSING ASSEMBLY	46	2302625	ROLL PIN 3/16 X 2 "	94	2304520	FOOT PEDAL-LOWER
5	144-017	BEARING- FLANGE (SERVICE ONLY)	47	2305515	DECAL-STOW/DEPLOY	95	2307210	LEVER MOM/CON-
6	880-025	SEAL [2.EA]	48	2305110	PAD-PIVOT SUPT [4.EA]	96	2302730	SPRING-LONG-UPPER PEDAL [2.EA]
7	421-260	PLAIN END HOUSING ASSEMBLY	49	2305101	PIVOT PAD [2.EA]	97	2302731	SPRING-SHORT-UPPER PEDAL
8	140-010	BALL BEARING	50	2300500	PIN-LATCH	98	2302732	SPRING-LOWER PEDAL
11	186-094	BRUSH [2.EA]	51	2300510	PIN-PIVOT	99	2304012	CONTROL BOARD ASSEMBLY-FT PDL
12B	640-017	LEADWIRE-BLACK 10 AWG 61 XLP	52	2013100	NUT-SPEED [4.EA]	100	2300120	KNOB-SPEED SELECTOR
12R	640-121	LEADWIRE-RED 10 AWG 62 1/2	53	2303612	ROD-RELEASE RT/AP SS	101	2300121	HOUSING SPEED SELECTOR
13	738-040	BRUSH PLATE 4"	54	2302700	SPRING-RELEASE LEVER	102	2302840	ACTUATOR-BOARD
14	975-041	SPRING- TORSION [2.EA]	55	2303710	LEVER-RELEASE	103	2302841	ACTUATOR-MOM/CON
17	701-043	O-RING [2.EA]	56	2300101	RELEASE-KNOB	105	2302842	ACTUATOR-STEERING
18	701-009	O-RING - THRU BOLT [2.EA]	57	2301700	SPACER-RELEASE LEVER	106	2302100	SCREW-6-20 X 1/2 [5.EA]
19	830-027	SCREW -SELF THREAD 10-32X2 [2.EA]	58	2303430	SCREW-1/4-20 X 5/8	107	2372100	SCREW-8-18 X 5/8 [5.EA]
20	830-094	THRU BOLT 12-24X10.31 [2.EA]	59	2031522	COLLAR- DRIVE (W/INSERT)	108	2266610	DECAL-ON/OFF SWITCH
21	973-025	SPACER- BRUSH PLATE [2.EA]	60	2011365	SCREW-COLLAR/NEW KNOB	109	2335130	BUMPER ACTUATOR
22	990-051	WASHER- STEEL	61	2304045	CTRL BOARD ASSEMBLY-24V PD/AP	110	2994807	BAG ASSEMBLY- 4 RUBBER BUMPERS
23	990-052	WASHER- NYLATRON	62	2355410	SHRINK TUBE-1/2 ODX2	■	2994803	BAG ASSEMBLY- (BOLT,NUT,WASHERS)
24	2316233	MOTOR ASSEMBLY 24V 4" VARS 54"	64	2332100	SCREW-8-32 X 3/8 [3.EA]	*112	2153501	BOLT-MOUNTING-3500 W/STG [4.EA]
	2316238	MOTOR ASSEMBLY 24V 4" VARS 60"	65	2090651	LEADWIRE IOGA	*113	2151726	WASHER-5/16 [4.EA]
25	2032078	TUBE- COMPOSITE 54"	67	2222906	STRAIN RELIEF- BRACKET PD/AP	*114	2153100	NUT-5/16-8 MOUNTING [4.EA]
	2032079	TUBE- COMPOSITE 60"	68	2303430	SCREW-1/4-20 X 5/8	*115	2301720	WASHER-MOUNTING RUBBER [6.EA]
■	1378132	PROPELLER KIT	69	2306555	HOUSING- CENTER PD/AP			
26	2331160	PROPELLER W/WEDGE	70	2034026	BATTERY GAUGE - 24 VOLT			
27	2091701	WASHER-5/16 SS	71	2306609	DECAL, BATTERY GAUGE			
28	2093101	NUT-PROP NYLOC	72	2302935	STRAIN RELIEF-DR. HOUSING			
29	2262658	PIN-DRIVE	73	2303941	SIDEPLATE (RIGHT)			
30	2301545	COLLAR- LATCH PD/AP	74	2303946	SIDEPLATE(LEFT)			
31	2303434	SCREW- 8-32X5/8 MACH PHCR	75	2303430	SCREW-1/4-20 X 5/8- [4.EA]			
32	2303112	NUT 8-32 NYLOC SS	76	2302515	CONTROL BOX PD/AP			
33	2301932	EXTRUSION- BASE MACHINED	77	2991251	COIL CORD W/STRAIN RELEIF 54"			
34	2303933	MOTOR REST- RIGHT 4"		2991252	COIL CORD W/STRAIN RELEIF 60"			
35	2303938	MOTOR REST- LEFT 4"	78	2065400	WIRE INSULATOR-LGE 1-3/4 [2.EA]			
36	2303430	SCREW 1/4-20X5/8 SELF TAP [4.EA]	79	9950433	TIE WRAP-4" BLACK			
37	2991835	DRIVE HOUSING PD/AP 2001	80	2224702	INSERT- PLUG			
■	2882011	BUSHING/ OUTSHAFT KIT (INCLUDES 39-42)	82	2033400	SCREW-10-24 X 1-3/4			
			83	2013110	NUT-HEX 10-24 NYLOC			
*39	2302010	DRIVE HOUSING OUTPUT SHAFT	86	2300235	CONTROL BOX COVER			
*40	2307304	BUSHING- INNER [2.EA]	89	2315672	DECAL- COVER ON/OFF 80PD			
*41	2307305	BUSHING- OUTER [2.EA]	90	2012100	SCREW-8-18 X 5/8 [4.EA]			
*42	2304603	O-RING	■	2774700	FOOT PEDAL ASSEMBLY			

Seal & Oring Kit P/N 2889460 * This item is part of an assembly. This item cannot be sold separately due to machining and /or assembly that is required.

P/N 2314938

REV.A 7-04

