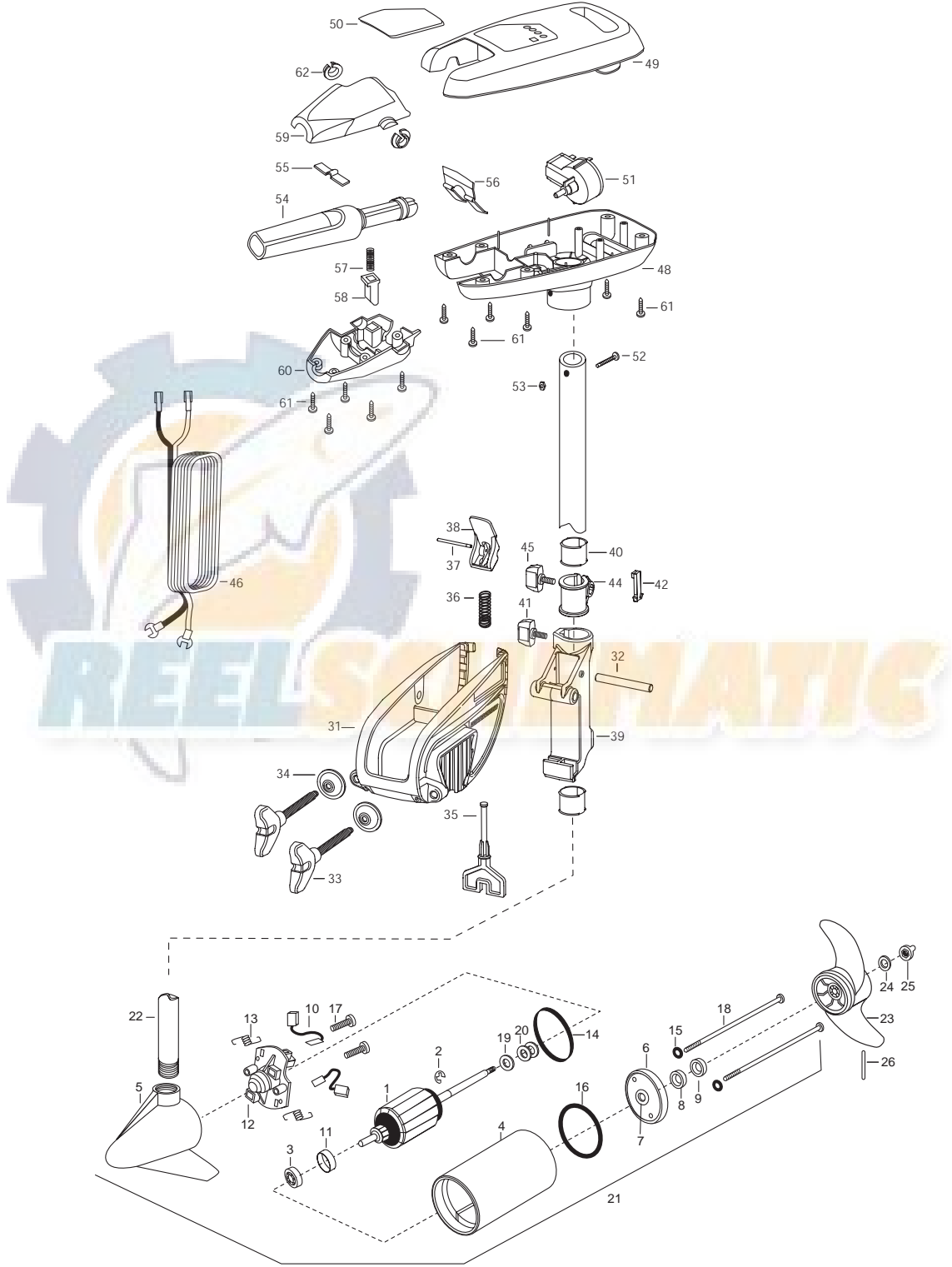


RT50/SC/S
50 LBS. THRUST
12 VOLT 42 AMPS
42" SHAFT

for use with "WVAF" serial numbers
3-year warranty from the date of purchase



| | | | | | | | | |
|----|-----------|--------------------------------------|-----|---------|-----------------------------|----|---------|-----------------------------|
| 1 | 2-100-115 | ARMATURE ASSEMBLY 12V 3.625 | 26 | 2092600 | PIN-DRIVE SS | 55 | 2302742 | SPRING-DETENT (OFF) SS |
| 2 | 788-015 | RETAINING RING | ■ | 2771816 | BRACKET & HINGE ASSEMBLY | 56 | 2302743 | SPRING-DETENT HANDLE-TILT |
| 3 | 140-010 | BEARING -BALL | ■ | 2771913 | BRACKET ASSEMBLY | 57 | 2302745 | SPRING-RELEASE BUTTON SS |
| 4 | 431-301 | CENTER HOUSING ASSEMBLY 3.62 SW TXT | | | (INCL- 31,33,34) | 58 | 2303720 | RELEASE BUTTON-HANDLE |
| 5 | 2-300-337 | BRUSH END HOUSING ASSEMBLY 3.62 SPCO | *31 | 2061910 | BRACKET PLASTIC | 59 | 2060410 | HANDLE (TOP HALF)NO MAXIM |
| 6 | 2-400-337 | PLAIN END HOUSING ASSEMBLY 3.62 | 32 | 2060511 | PIN-HINGE SS | 60 | 2060415 | HANDLE (LOWER HALF) |
| 7 | 144-049 | BEARING - FLANGE [SERVICE ONLY] | *33 | 2061301 | SCREW-CLAMP SS [2.EA] | 61 | 2303412 | SCREW-6-20 X 5/8 [11.EA] |
| 8 | 880-003 | SEAL | *34 | 2331700 | WASHER-CLAMP SCREW [2.EA] | 62 | 2060005 | BEARING-HANDLE PIVOT [2.EA] |
| 9 | 880-006 | SEAL WITH SHIELD | 35 | 2063605 | T-BAR PLASTIC | | | |
| 10 | 188-036 | BRUSH ASSEMBLY [2. EA] | 36 | 2062706 | SPRING- T-BAR | | | |
| 11 | 725-050 | PAPER TUBE- BRUSH RETENTION | 37 | 2060516 | PIN- TILT LEVER | | | |
| 12 | 738-036 | BRUSH PLATE W/HOLDER | 38 | 2067201 | LEVER-TILT BLACK | | | |
| 13 | 975-040 | SPRING - TORSION [2. EA] | 39 | 2061810 | HINGE-PLASTIC | | | |
| 14 | 337-036 | GASKET | 40 | 2037301 | BUSHING-HINGE [2.EA] | | | |
| 15 | 701-008 | O-RING [2. EA] | 41 | 2011386 | SCREW-TENSION/NEW KNOB SS | | | |
| 16 | 701-081 | O-RING | 42 | 2062800 | TENSION BLOCK- SNAP IN | | | |
| 17 | 830-007 | SCREW # 8-32 [2.EA] | 44 | 2061520 | COLLAR-DEPTH | | | |
| 18 | 830-042 | THRU BOLT 10-32 X 8.83 [2. EA] | 45 | 2011366 | SCREW-COLLAR SS [2.EA] | | | |
| 19 | 990-067 | WASHER - STEEL THRUST | 46 | 2050609 | LEADWIRE 10GA RINGS | | | |
| 20 | 990-070 | WASHER - NYLATRON [2. EA] | 48 | 2062552 | CONTROL BOX PLAS W/HAND WHT | | | |
| 21 | 2097097 | MOTOR ASSEMBLY 12V 3.625 SW 5SPC | 49 | 2060264 | COVER-CTRL BOX RT WHT | | | |
| 22 | 2032032 | TUBE (COMPOSITE) 42" BM W | 50 | 2075615 | DECAL-COVER | | | |
| ■ | 1378131 | PROPELLER KIT | 51 | 2064023 | SWITCH-FWD/REV 5 SP | | | |
| 23 | 2091160 | PROPELLER- WEEDLESS 2 | 52 | 2332102 | SCREW-10-24 X 1-3/4 SS | | | |
| 24 | 2151726 | WASHER- 5/16 STD SS | 53 | 2333101 | NUT-HEX NYLOC | | | |
| 25 | 2198400 | ANODE- ZINC 3.25/3.62 LWR U | 54 | 2990911 | HANDLE ASSY-W/U-JOINT 5SPD | | | |

Seal & Oring Kit P/N 2888460 * This item is part of an assembly. This item cannot be sold separately due to machining and /or assembly that is required.

P/N 2074926 REV.A 7-04

