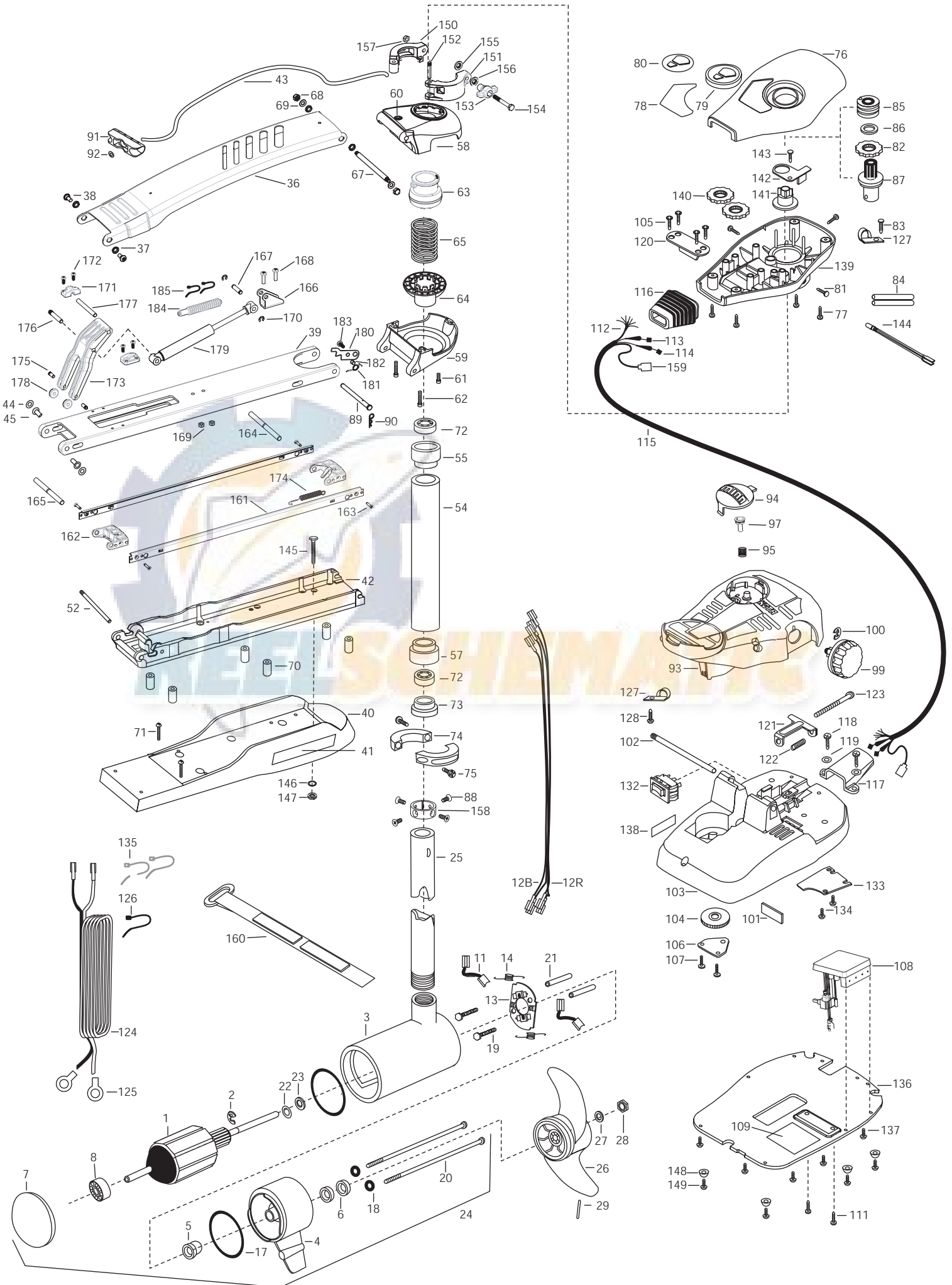


**MAXXUM PRO 80 and Sonar**  
80 lbs Thrust  
24 volt 56 amps  
52" & 62" SHAFT

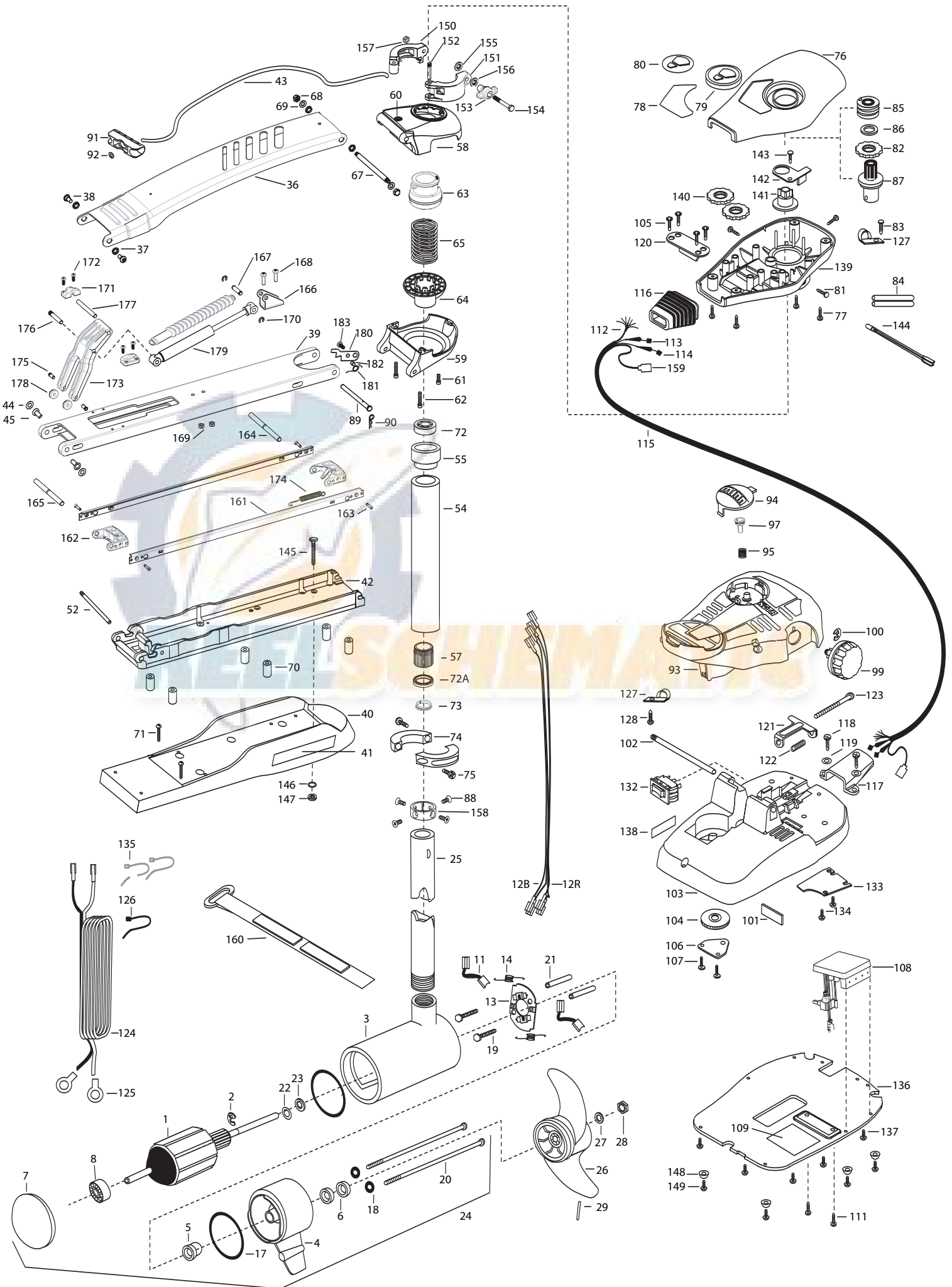
for use with 2005 models with **serial numbers less than "WWAF0059607"**  
3-year warranty from the date of purchase



|     |                                  |                                      |     |         |                                    |      |         |                                   |
|-----|----------------------------------|--------------------------------------|-----|---------|------------------------------------|------|---------|-----------------------------------|
| 1   | 2-100-213                        | ARMATURE ASSEMBLY 24V 4"             | 59  | 2771993 | BRKT BOTTOM/BEARING FW ASSEMBLY 62 | 126  | 2256300 | TIE WRAP-5.5 BLACK                |
| 2   | 788-040                          | RETAINING RING                       |     | 2991999 | BRKT BOTTOM/BEARING FW ASSEMBLY 52 | 127  | 2263201 | CLAMP WIRE HARNESS MICRO [2.EA]   |
| 3   | 2-200-160                        | CENTER HOUSING ASSEMBLY 4.0 TXT      | 60  | 2772352 | EYELET KIT -ROPE                   | 128  | 2332103 | SCREW-6-20 X 3/8 THD SS           |
|     | 2-200-170                        | CENTER HOUSING ASSEMBLY 4.0- SONAR   | 61  | 2263402 | SCREW 1/4-20 X 3/4 ZINC            | 132  | 2254031 | SWITCH-MOM/OFF/CON                |
| 4   | 2-300-160                        | BRUSH END HOUSING ASSEMBLY           | 62  | 2263404 | SCREW-1/4-20X2-1/4 SHCP [2.EA]     | 133  | 2266412 | SWITCH PLATE, PT PEDAL            |
| 5   | 144-017                          | BEARING- FLANGE (SERVICE ONLY)       | 63  | 2071541 | SPRING-SLEEVE UPPER                | 134  | 2332103 | SCREW-6-20 X 3/8 THD SS [2.EA]    |
| 6   | 880-025                          | SEAL [2.EA]                          | 64  | 2071535 | SPRING SLEEVE, LOWER               | 135  | 2256301 | TIE WRAP-5.5 WHITE [2.EA]         |
| 7   | 421-260                          | PLAIN END HOUSING ASSEMBLY           | 65  | 2262712 | SPRING, BOWGUARD, FC PAINTED       | 136  | 2264511 | BOTTOM PLATE, MAXXUM PT           |
|     | 9421-271 (52") or 9421-270 (62") | PLAIN END HSG ASSY 4.0 SONAR         | 67  | 2262604 | PIN- THREADED SS                   | 137  | 2372100 | SCREW-8 X 1/2 SS [5.EA]           |
| 8   | 140-010                          | BALL BEARING                         | 68  | 2223100 | NUT - NYLOC SS [2.EA]              | 138  | 2266610 | DECAL-ON/OFF SWITCH               |
| 11  | 186-094                          | BRUSH [2.EA]                         | 69  | 2261722 | WASHER [2.EA]                      | 139  | 2262535 | CONTROL BOX-PLASTIC               |
| 12B | 640-017                          | LEADWIRE-BLACK 10 AWG 61 XLP         | ■   | 2994832 | BAG ASSEMBLY                       | 140  | 2267800 | GEAR-INDICATOR [2.EA]             |
| 12R | 640-121                          | LEADWIRE-RED 10 AWG 62 1/2           | *70 | 2261505 | SPACER, MOTOR REST [6.EA]          | 141  | 2262220 | INDICATOR-DRIVE                   |
| 13  | 738-040                          | BRUSH PLATE 4"                       | *71 | 2263434 | SCREW, 8-18 X 1 PPH SS [2.EA]      | 142  | 2261905 | BRACKET/INDICATOR                 |
| 14  | 975-041                          | SPRING- TORSION [2.EA]               | 72  | 2266000 | BEARING BALL-STEEL                 | 143  | 2301310 | SCREW-8-18 X 1/2 SS               |
| 17  | 701-043                          | O-RING [2.EA]                        | 73  | 2266115 | BEARING CONE                       | 144  | 2264015 | LIGHT/INDICATOR                   |
| 18  | 701-009                          | O-RING-THRU BOLT [2.EA]              | 74  | 2261622 | COLLAR HALF-PAINTED-2 PER- KIT     | ■    | 2994830 | BAG ASSEMBLY-MAXXUM               |
| 19  | 830-027                          | SCREW -SELF THREAD 10-32X2 [2.EA]    | 75  | 2263453 | SCREW-1/4-20 X 3/4 SHCS SS [2.EA]  | *145 | 2263431 | SCREW 1/4-20 X 3.5 PPH [6.EA]     |
| 20  | 830-094                          | THRU BOLT 12-24X10.31 [2.EA]         | 76  | 2260283 | CONTROL BOX COVER-MAXXUM           | *146 | 2261713 | WASHER-1/4 FLAT S/S [6.EA]        |
| 21  | 973-025                          | SPACER- BRUSH PLATE [2.EA]           | 77  | 2372100 | SCREW-8-18 X 5/8 THD [4.EA]        | *147 | 2263103 | NUT-1/4-20 NYLOC-JAM [6.EA]       |
| 22  | 990-051                          | WASHER- STEEL                        | 78  | 2265641 | DECAL COVER, MAXXUM 80             | 148  | 2265126 | BUMPER [4.EA]                     |
| 23  | 990-052                          | WASHER- NYLATRON                     |     | 2265648 | DECAL COVER, MAXXUM 80-SONAR       | 149  | 2263455 | SCREW #12 [4.EA]                  |
| 24  | 2316233                          | MOTOR ASSEMBLY 24V 4" VARS 52" TXT   | 79  | 2260150 | POINTER DISC TRNSLCNT RED          | ■    | 2991550 | CLAMP COLLAR ASSEMBLY             |
|     | 2316236                          | MOTOR ASSEMBLY 24V 4" VARS 62" TXT   | 80  | 2265800 | DECAL-INDICATOR                    | 150  | 2071550 | CLAMP COLLAR "A"                  |
|     | 2326233                          | MOTOR ASSEMBLY 24V 4" VARS 52" SONAR | 81  | 2053414 | SCREW-#8-32 X 1/2 TRI-LOBE [3.EA]  | 151  | 2071555 | CLAMP COLLAR "B"                  |
|     | 2326238                          | MOTOR ASSEMBLY 24V 4" VARS 62" SONAR | 82  | 2267800 | GEAR-INDICATOR                     | 152  | 2072621 | PIN-KNURLED                       |
| 25  | 2032007                          | TUBE COMP W/4 HOLE 62"               | 83  | 2301310 | SCREW-8-18 X 1/2 SS                | 153  | 2070120 | KNOB-CLAMP COLLAR                 |
|     | 2032006                          | TUBE COMP W/4 HOLE 52"               | 84  | 2355410 | SHRINK TUBE-3/8 OD X 2- [2.EA]     | 154  | 2073412 | SCREW 1/4-28 X 2 3/4" SS          |
|     | 2032005                          | TUBE COMP W/4 HOLE 48"               | 85  | 2232360 | PULLEY-CABLE DRUM                  | 155  | 2071718 | WASHER #10 NYLON RETAINING        |
| ■   | 1378132                          | PROPELLER KIT                        | 86  | 2261730 | WASHER-NYLON                       | 156  | 2071716 | WASHER - FLAT SS                  |
| 26  | 2331160                          | PROPELLER W.WEDGE 2                  | 87  | 2996247 | PINION/RACE ASSEMBLY               | 157  | 2073102 | NUT - HEX 1/4 - 28 SS             |
| 27  | 2091701                          | WASHER-PROP LARGE                    | 88  | 2223468 | SCREW-8-32 X 7/16 ZN PL [4.EA]     | 158  | 2071560 | SPLIT COLLAR                      |
| 28  | 2093101                          | NUT-PROP NYLOCK SS                   | 89  | 2262606 | PIN- CLEVIS SS                     | 159  | 2211400 | EXTENSION CABLE- SONAR            |
| 29  | 2262658                          | PIN-DRIVE SS                         | 90  | 2260800 | SPRING CLIP SS                     | 160  | 2263804 | STRAP - VELCRO 30.5"              |
| 31  | 2030710                          | CONNECTOR BUTT [2.EA]                | 91  | 2150400 | PULL-GRIP                          | 161  | 2263615 | TIE RAIL LONG [2 EA.]             |
| 32  | 2030317                          | 62" WIRE EXTENSION-18 RED            | 92  | 2151700 | WASHER-EYE SHAFT .562 OD           | 162  | 2262645 | LATCH PIN HOLDER [2 EA.]          |
| 33  | 2030316                          | ONLY WIRE EXTENSION-18 BLACK         | 93  | 2790002 | FOOT PEDAL/PLUG ASSEMBLY           | 163  | 2263456 | SCREW #8 - 3/4" BTFH SS [4 EA.]   |
| 34  | 2375400                          | SHRINK TUBE 1/4ODX1-3/4 [2.EA]       | 94  | 2993702 | PUSH BUTTON / MAGNET ASSEMBLY      | 164  | 2262661 | LATCH PIN, GROOVED FRONT SS       |
| ■   | 2991741                          | MOUNT,BOW ASSEMBLY, w/o BG           | 95  | 2302732 | SPRING-LOWER PEDAL SS              | 165  | 2262663 | LATCH PIN, GROOVED REAR SS        |
|     |                                  |                                      | 97  | 2260810 | CLIP, REED SWITCH                  | 166  | 2261990 | BRACKET, CYLINDER FRONT           |
| 36  | 2264255                          | ARM UPPER-FW LONG                    | 99  | 2260160 | KNOB-SPEED CONTROL VAR             | 167  | 2262665 | PIN, FRONT SHOCK MOUNT            |
| 37  | 2293501                          | BUSHING, STAINLESS STEEL [4.EA]      | 100 | 2263000 | E-RING TRU-ARC#5133-43             | 168  | 2332104 | SCREW 1/4-20 X 5/8" PH SS [2 EA.] |
| 38  | 2263500                          | BOLT, SHOULDER MAXXUM [2.EA]         | 101 | 2266413 | PLATE - TENSION SCREW FTPED.       | 169  | 2073100 | 1/4-20" NUT SS [2 EA.]            |
| 39  | 2264335                          | ARM-LOWER ASSEMBLY,LG,FW,EXT         | 102 | 2260511 | PIN-PIVOT A/T PT PDL               | 170  | 2263006 | E-CLIP [2 EA.]                    |
| 40  | 2263913                          | MOTOR REST LONG MAXXUM               | 103 | 2774550 | FT PEDAL BASE/PIN ASSEMBLY         | 171  | 2263006 | BRACKET REAR [2 EA.]              |
| 41  | 2265508                          | DECAL-MAXXUM,MOTOR REST [2.EA]       | 104 | 2262301 | PULLEY- FOOT PEDAL                 | 172  | 2223454 | SCREW #10-32 X 1/2" PH SS [4 EA.] |
| 42  | 2773986                          | BOWPLATE- FW LG MACH/INSERT          | 105 | 2223430 | SCREW #8X3/4 PPH TYPE 25 SS [4.EA] | 173  | 2261545 | YOKE-GAS ASSIST                   |
| 43  | 2251601                          | ROPE 40" MAXXUM MOUNT                | 106 | 2266400 | COVER-PULLEY STAMPING              | 174  | 2262722 | SPRING EXTENSION                  |
| 44  | 2261708                          | WASHER-3/8X1/2X.010 SS [2.EA]        | 107 | 2301310 | SCREW-8-18 X 1/2 SS [2.EA]         | 175  | 2262635 | PIN ROLLER SS [2 EA.]             |
| 45  | 2236000                          | BEARING NYLINER- [2.EA]              | 108 | 2264052 | CONTROL BOARD ASSEMBLY 24V MAX     | 176  | 2262667 | PIN-KNURLED SS                    |
| 46  | 2152610                          | SPRING-PIN LOCKBAR [2.EA]            | 109 | 2365107 | INSULATING PAD 2.3 X 3.2           | 177  | 2262669 | PIN-YOKE PIVOT SS                 |
| 47  | 2233600                          | LOCK BAR- BOW MOUNT                  | 111 | 2263448 | SCREW, 8-32 X 1 [2.EA]             | 178  | 2262320 | ROLLER YOKE [2 EA.]               |
| 48  | 2233602                          | LOCK BAR- REAR ZINC                  | 112 | 2261220 | WIRE HARNESS AT & MAX 82.5         | 179  | 2268431 | GAS ASSIST CYLINDER               |
| 49  | 2152700                          | SPRING-LOCKBAR CAD.PLT               | 113 | 2267500 | CABLE ASSEMBLY-RIGHT 5'            | 180  | 2262670 | LATCH PIN STOP LEVER              |
| 50  | 2262703                          | SPRING STOP                          | 114 | 2267510 | CABLE ASSEMBLY-LEFT 5'             | 181  | 2262723 | SPRING, MAXXUM PRO                |
| 51  | 2153604                          | EYE SHAFT-2LOCKBAR LG-PLTD           | 115 | 2265430 | CABLE JACKET 5'                    | 182  | 2301700 | SPACER-RELEASE LEVER BRASS        |
| 52  | 2260506                          | HINGE-PIN HEADLESS ZINC              | 116 | 2265110 | BOOT-CONTROL BOX                   | 183  | 2332104 | SCREW 1/4-20 X 5/8" SS            |
|     |                                  |                                      | 117 | 2265115 | BOOT-FOOT PEDAL BASE               | 184  | 2265116 | BOOT - SHOCK                      |
| ■   | 2772009                          | TUBE W/BEARING RACE ASSEMBLY 28.5"   | 118 | 2372100 | SCREW-8-18 X 5/8 THD SS [2.EA]     | 185  | 2376312 | TIE WRAP [2 EA.]                  |
|     | 2772016                          | TUBE W/BEARING RACE ASSEMBLY 24"     | 119 | 2261714 | WASHER-MAXXUM PT PDL [2.EA]        |      |         |                                   |
| 54  | 2272071                          | TUBE OUTER 28.5" (62" model)         | 120 | 2261901 | BRACKET-CONDUIT AT/MAX             |      |         |                                   |
|     | 2272067                          | TUBE OUTER 24" (48"-52" models)      | 121 | 2263210 | BRACKET-CONDUIT ADJUSTMENT         |      |         |                                   |
| 55  | 2266260                          | BEARING RACE                         | 122 | 2262720 | SPRING-CONDUIT AD                  |      |         |                                   |
| 57  | 2266220                          | BEARING RACE-STEEL                   | 123 | 2263466 | SCREW-1/4-20 X 2 STL PPH           |      |         |                                   |
| ■   | 2991763                          | BOWGUARD ASSEMBLY-FT CTRL,MAX 62     | 124 | 2261233 | LEADWIRE VARIABLE                  |      |         |                                   |
|     | 2991762                          | BOWGUARD ASSEMBLY-FT CTRL,MAX 52     | 125 | 2020700 | TERMINAL RING, 3/8 [2.EA]          |      |         |                                   |
| 58  | 2772315                          | BRACKET BASE TOP/EYELET ASSEMBLY     |     |         |                                    |      |         |                                   |

**MAXXUM PRO 80 and Sonar**  
80 lbs Thrust  
24 volt 56 amps  
52" & 62" SHAFT

for use with 2005 models with serial numbers greater than "WWAF0059606"  
3-year warranty from the date of purchase



|     |                                  |                                      |     |         |                                    |      |         |                                   |
|-----|----------------------------------|--------------------------------------|-----|---------|------------------------------------|------|---------|-----------------------------------|
| 1   | 2-100-213                        | ARMATURE ASSEMBLY 24V 4"             | 61  | 2263423 | SCREW 5/16-18 X 1 SHCS             | 128  | 2332103 | SCREW-6-20 X 3/8 THD SS           |
| 2   | 788-040                          | RETAINING RING                       | 62  | 2263425 | SCREW 5/16-18 X 2-1/2 SHCS [2.EA]  | 132  | 2254031 | SWITCH-MOM/OFF/CON                |
| 3   | 2-200-160                        | CENTER HOUSING ASSEMBLY 4.0 TXT      | 63  | 2071541 | SPRING-SLEEVE UPPER                | 133  | 2266412 | SWITCH PLATE, PT PEDAL            |
|     | 2-200-170                        | CENTER HOUSING ASSEMBLY 4.0- SONAR   | 64  | 2071535 | SPRING-SLEEVE, LOWER               | 134  | 2332103 | SCREW-6-20 X 3/8 THD SS [2.EA]    |
| 4   | 2-300-160                        | BRUSH END HOUSING ASSEMBLY           | 65  | 2262712 | SPRING, BOWGUARD, FC PAINTED       | 135  | 2256301 | TIE WRAP-5.5 WHITE [2.EA]         |
| 5   | 144-017                          | BEARING- FLANGE (SERVICE ONLY)       | 67  | 2262605 | PIN- THREADED ZP                   | 136  | 2264511 | BOTTOM PLATE, MAXXUM PT           |
| 6   | 880-025                          | SEAL [2.EA]                          | 68  | 2223100 | NUT - NYLOC SS [2.EA]              | 137  | 2372100 | SCREW-8 X 1/2 SS [5.EA]           |
| 7   | 421-260                          | PLAIN END HOUSING ASSEMBLY           | 69  | 2261722 | WASHER [2.EA]                      | 138  | 2266610 | DECAL-ON/OFF SWITCH               |
|     | 9421-271 (52") or 9421-270 (62") | PLAIN END HSG ASSY 4.0 SONAR         | ■   | 2994832 | BAG ASSEMBLY                       | 139  | 2262535 | CONTROL BOX-PLASTIC               |
| 8   | 140-010                          | BALL BEARING                         | *70 | 2261505 | SPACER, MOTOR REST [6.EA]          | 140  | 2267800 | GEAR-INDICATOR [2.EA]             |
| 11  | 186-094                          | BRUSH [2.EA]                         | *71 | 2263434 | SCREW, 8-18 X 1 PPH SS [2.EA]      | 141  | 2262220 | INDICATOR-DRIVE                   |
| 12B | 640-024                          | LEADWIRE-BLACK 10 AWG 79"            | 72  | 2266000 | BEARING, BALL-STEEL                | 142  | 2261905 | BRACKET/INDICATOR                 |
| 12R | 640-131                          | LEADWIRE-RED 10 AWG 80 1/2"          | 72A | 2266116 | BEARING, CARTRIDGE                 | 143  | 2301310 | SCREW-8-18 X 1/2 SS               |
| 13  | 738-040                          | BRUSH PLATE 4"                       | 73  | 2266001 | BEARING, SPLIT RING                | 144  | 2264015 | LIGHT/INDICATOR                   |
| 14  | 975-041                          | SPRING- TORSION [2.EA]               | 74  | 2261622 | COLLAR HALF-PAINTED-2 PER- KIT     | ■    | 2994830 | BAG ASSEMBLY-MAXXUM               |
| 17  | 701-043                          | O-RING [2.EA]                        | 75  | 2263453 | SCREW-1/4-20 X 3/4 SHCS SS [2.EA]  | *145 | 2263431 | SCREW 1/4-20 X 3.5 PPH [6.EA]     |
| 18  | 701-009                          | O-RING - THRU BOLT [2.EA]            | 76  | 2260283 | CONTROL BOX COVER-MAXXUM           | *146 | 2261713 | WASHER-1/4 FLAT S/S [6.EA]        |
| 19  | 830-027                          | SCREW -SELF THREAD 10-32X2 [2.EA]    | 77  | 2372100 | SCREW-8-18 X 5/8 THD [4.EA]        | *147 | 2263103 | NUT-1/4-20 NYLOCK-JAM [6.EA]      |
| 20  | 830-094                          | THRU BOLT 12-24X10.31 [2.EA]         | 78  | 2265641 | DECAL COVER, MAXXUM 80             | 148  | 2265126 | BUMPER [4.EA]                     |
| 21  | 973-025                          | SPACER- BRUSH PLATE [2.EA]           |     | 2265648 | DECAL COVER, MAXXUM 80-SONAR       | 149  | 2263455 | SCREW #12 [4.EA]                  |
| 22  | 990-051                          | WASHER- STEEL                        | 79  | 2260150 | POINTER DISC TRNSLCNT RED          | ■    | 2991550 | CLAMP COLLAR ASSEMBLY             |
| 23  | 990-052                          | WASHER- NYLATRON                     | 80  | 2265800 | DECAL-INDICATOR                    | 150  | 2071550 | CLAMP COLLAR "A"                  |
| 24  | 2316237                          | MOTOR ASSEMBLY 24V 4" VARS 52" TXT   | 81  | 2053414 | SCREW-#8-32 X 1/2 TRI-LOBE [3.EA]  | 151  | 2071555 | CLAMP COLLAR "B"                  |
|     | 2316249                          | MOTOR ASSEMBLY 24V 4" VARS 62" TXT   | 82  | 2267800 | GEAR-INDICATOR                     | 152  | 2072621 | PIN-KNURLED                       |
|     | 2326233                          | MOTOR ASSEMBLY 24V 4" VARS 52" SONAR | 83  | 2301310 | SCREW-8-18 X 1/2 SS                | 153  | 2070120 | KNOB-CLAMP COLLAR                 |
|     | 2326238                          | MOTOR ASSEMBLY 24V 4" VARS 62" SONAR | 84  | 2355410 | SHRINK TUBE-3/8 OD X 2- [2.EA]     | 154  | 2073412 | SCREW 1/4-28 X 2 3/4" SS          |
| 25  | 2032007                          | TUBE COMP W/4 HOLE 62"               | 85  | 2232360 | PULLEY-CABLE DRUM                  | 155  | 2071718 | WASHER #10 NYLON RETAINING        |
|     | 2032006                          | TUBE COMP W/4 HOLE 52"               | 86  | 2261730 | WASHER-NYLON                       | 156  | 2071716 | WASHER - FLAT SS                  |
|     | 2032005                          | TUBE COMP W/4 HOLE 48"               | 87  | 2996247 | PINION/RACE ASSEMBLY               | 157  | 2073102 | NUT - HEX 1/4 - 28 SS             |
| ■   | 1378132                          | PROPELLER KIT                        | 88  | 2223468 | SCREW-8-32 X 7/16 ZN PL [4.EA]     | 158  | 2071560 | SPLIT COLLAR                      |
| 26  | 2331160                          | PROPELLER W.WEDGE 2                  | 89  | 2262607 | PIN- CLEVIS ZP                     | 159  | 2211400 | EXTENSION CABLE- SONAR            |
| 27  | 2091701                          | WASHER-PROP LARGE                    | 90  | 2260800 | SPRING CLIP SS                     | 160  | 2263804 | STRAP - VELCRO 30.5"              |
| 28  | 2093101                          | NUT-PROP NYLOCK SS                   | 91  | 2150400 | PULL-GRIP                          | 161  | 2263615 | TIE RAIL LONG [2 EA.]             |
| 29  | 2262658                          | PIN-DRIVE SS                         | 92  | 2151700 | WASHER-EYE SHAFT .562 OD           | 162  | 2262645 | LATCH PIN HOLDER [2 EA.]          |
| ■   | 2991741                          | MOUNT,BOW ASSEMBLY, w/o BG           | 93  | 2790002 | FOOT PEDAL/PLUG ASSEMBLY           | 163  | 2263456 | SCREW #8 - 3/4" BTFH SS [4 EA.]   |
|     |                                  |                                      | 94  | 2993702 | PUSH BUTTON / MAGNET ASSEMBLY      | 164  | 2262661 | LATCH PIN, GROOVED FRONT SS       |
| 36  | 2264255                          | ARM UPPER-FW LONG                    | 95  | 2302732 | SPRING-LOWER PEDAL SS              | 165  | 2262663 | LATCH PIN, GROOVED REAR SS        |
| 37  | 2293501                          | BUSHING, STAINLESS STEEL [4.EA]      | 97  | 2260810 | CLIP, REED SWITCH                  | 166  | 2261990 | BRACKET, CYLINDER FRONT           |
| 38  | 2263500                          | BOLT, SHOULDER MAXXUM [2.EA]         | 99  | 2260160 | KNOB-SPEED CONTROL VAR             | 167  | 2262665 | PIN, FRONT SHOCK MOUNT            |
| ■   | 2774335                          | LOWER ARM ASSEMBLY, LONG, FW         | 100 | 2263000 | E-RING TRU-ARC#5133-43             | 168  | 2332104 | SCREW 1/4-20 X 5/8" PH SS [2 EA.] |
| 39  | 2264335                          | ARM-LOWER ASSEMBLY,LG,FW,EXT         | 101 | 2266413 | PLATE - TENSION SCREW FTPED.       | 169  | 2073100 | 1/4-20" NUT SS [2 EA.]            |
| 40  | 2263913                          | MOTOR REST LONG MAXXUM               | 102 | 2260511 | PIN-PIVOT A/T PT PDL               | 170  | 2263006 | E-CLIP [2 EA.]                    |
| 41  | 2265508                          | DECAL-MAXXUM,MOTOR REST [2.EA]       | 103 | 2774550 | FT PEDAL BASE/PIN ASSEMBLY         | 171  | 2263006 | BRACKET REAR [2 EA.]              |
| 42  | 2773986                          | BOWPLATE- FW LG MACH/INSERT          | 104 | 2262301 | PULLEY- FOOT PEDAL                 | 172  | 2223454 | SCREW #10-32 X 1/2" PH SS [4 EA.] |
| 43  | 2251601                          | ROPE 40" MAXXUM MOUNT                | 105 | 2223430 | SCREW #8X3/4 PPH TYPE 25 SS [4.EA] | 173  | 2261545 | YOKE-GAS ASSIST                   |
| 44  | 2261708                          | WASHER-3/8X1/2X.010 SS [2.EA]        | 106 | 2266400 | COVER-PULLEY STAMPING              | 174  | 2262722 | SPRING EXTENSION                  |
| 45  | 2236000                          | BEARING NYLINER- [2.EA]              | 107 | 2301310 | SCREW-8-18 X 1/2 SS [2.EA]         | 175  | 2262635 | PIN ROLLER SS [2 EA.]             |
| 46  | 2152610                          | SPRING-PIN LOCKBAR [2.EA]            | 108 | 2264052 | CONTROL BOARD ASSEMBLY 24V MAX     | 176  | 2262667 | PIN-KNURLED SS                    |
| 47  | 2233600                          | LOCK BAR- BOW MOUNT                  | 109 | 2365107 | INSULATING PAD 2.3 X 3.2           | 177  | 2262669 | PIN-YOKE PIVOT SS                 |
| 48  | 2233602                          | LOCK BAR- REAR ZINC                  | 111 | 2263455 | SCREW, 10-32 X 1/2 [2.EA]          | 178  | 2262320 | ROLLER YOKE [2 EA.]               |
| 49  | 2152700                          | SPRING-LOCKBAR CAD.PLT               | 112 | 2261220 | WIRE HARNESS AT & MAX 82.5         | 179  | 2998431 | CYLINDER/SHOCK BOOT ASSEMBLY      |
| 50  | 2262703                          | SPRING STOP                          | 113 | 2267500 | CABLE ASSEMBLY-RIGHT 5'            | 180  | 2262670 | LATCH PIN STOP LEVER              |
| 51  | 2153604                          | EYE SHAFT-2LOCKBAR LG-PLTD           | 114 | 2267510 | CABLE ASSEMBLY-LEFT 5'             | 181  | 2262723 | SPRING, MAXXUM PRO                |
| 52  | 2260506                          | HINGE-PIN HEADLESS ZINC              | 115 | 2265430 | CABLE JACKET 5'                    | 182  | 2301700 | SPACER-RELEASE LEVER BRASS        |
|     |                                  |                                      | 116 | 2265110 | BOOT-CONTROL BOX                   | 183  | 2332104 | SCREW 1/4-20 X 5/8" SS            |
| ■   | 2772088                          | TUBE W/BEARING RACE ASSEMBLY 28.5"   | 117 | 2265115 | BOOT-FOOT PEDAL BASE               |      |         |                                   |
|     | 2772086                          | TUBE W/BEARING RACE ASSEMBLY 24"     | 118 | 2372100 | SCREW-8-18 X 5/8 THD SS [2.EA]     |      |         |                                   |
| 54  | 2272088                          | TUBE OUTER 28.5" (62" model)         | 119 | 2261714 | WASHER-MAXXUM PT PDL [2.EA]        |      |         |                                   |
|     | 2272086                          | TUBE OUTER 24" (48"-52" models)      | 120 | 2261901 | BRACKET-CONDUIT AT/MAX             |      |         |                                   |
| 55  | 2266260                          | BEARING RACE                         | 121 | 2263210 | BRACKET-CONDUIT ADJUSTMENT         |      |         |                                   |
| 57  | 2267307                          | BUSHING, OUTER TUBE                  | 122 | 2262720 | SPRING-CONDUIT AD                  |      |         |                                   |
| ■   | 2991763                          | BOWGUARD ASSEMBLY-FT CTRL,MAX 62     | 123 | 2263466 | SCREW-1/4-20 X 2 STL PPH           |      |         |                                   |
|     | 2991762                          | BOWGUARD ASSEMBLY-FT CTRL,MAX 52     | 124 | 2261233 | LEADWIRE VARIABLE                  |      |         |                                   |
| 58  | 2772319                          | BRACKET BASE TOP/EYELET ASSEMBLY     | 125 | 2020700 | TERMINAL RING, 3/8 [2.EA]          |      |         |                                   |
| 59  | 2771770                          | BRKT BOTTOM/BEARING FW ASSEMBLY 62   | 126 | 2256300 | TIE WRAP-5.5 BLACK                 |      |         |                                   |
|     | 2991771                          | BRKT BOTTOM/BEARING FW ASSEMBLY 52   | 127 | 2263201 | CLAMP WIRE HARNESS MICRO [2.EA]    |      |         |                                   |
| 60  | 2772352                          | EYELET KIT -ROPE                     |     |         |                                    |      |         |                                   |

