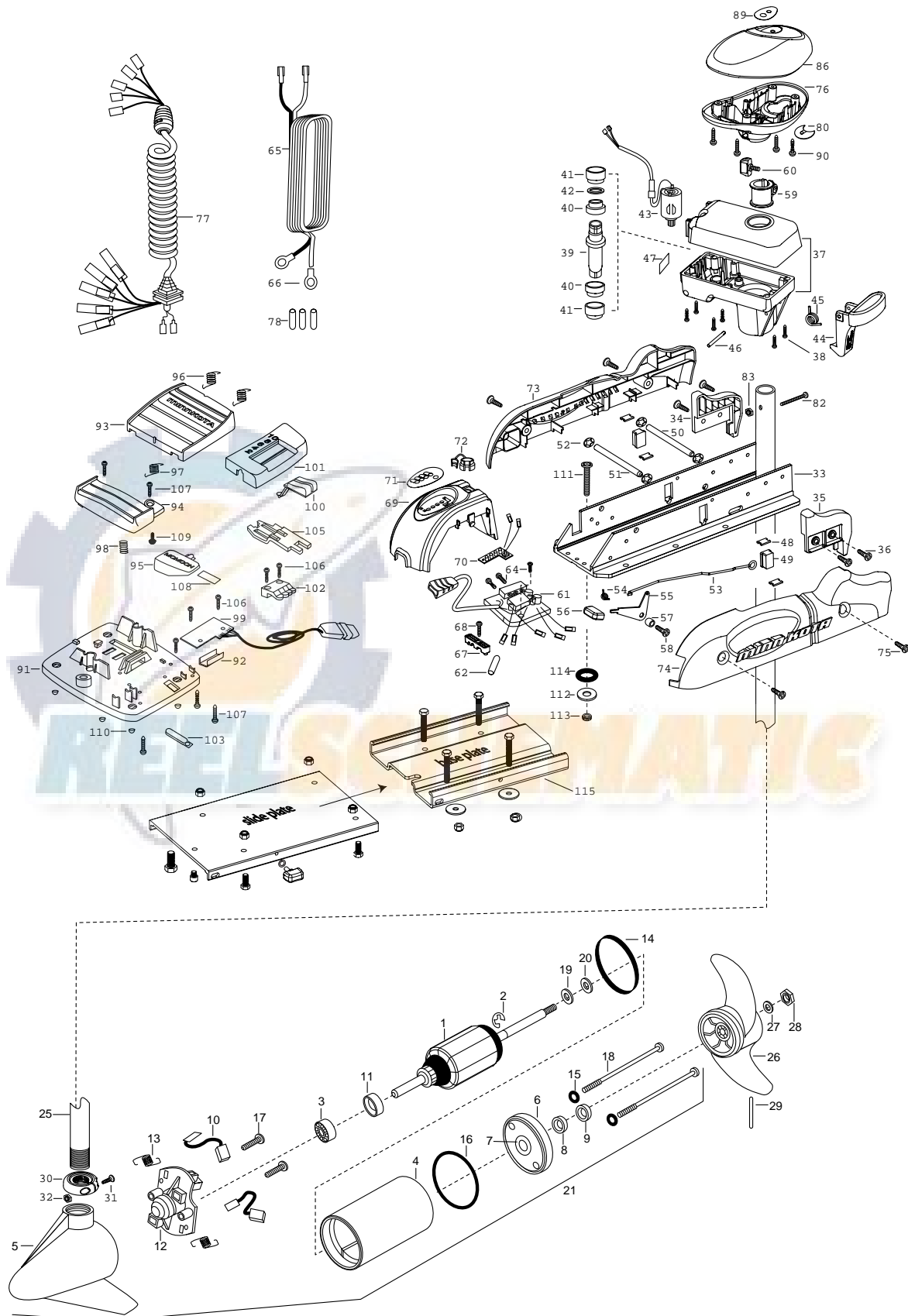


68 PONTOON  
68 LBS THRUST  
24 VOLT 42 AMPS  
48" SHAFT

for use with "WWAF" serial numbers  
2-year warranty from the date of purchase



1	2-100-119	ARMATURE ASSEMBLY 24V FW SW		(INCLUDES 39-42)	76	2302515	CONTROL BOX PD/AP	
2	788-015	RETAINING RING	*39	2302010	DRIVE HOUSING OUTPUT SHAFT	77	2991250	COIL CORD WSTRAIN RELIEF 48"
3	140-010	BALL BEARING	*40	2307304	BUSHING- INNER [2.EA]	78	2065400	WIRE INSULATOR-LGE 1-3/4 [3.EA]
4	431-005	CENTER HOUSING ASSEMBLY 3.62 TXT	*41	2307305	BUSHING- OUTER [2.EA]	80	2224700	INSERT- PLUG
5	421-065	HOUSING BRUSH END 3.62 TXT FW	*42	2304603	O-RING	82	2033400	SCREW-10-24 X 1-3/4 PPH Z/P
6	2-400-101	PLAIN END HOUSING ASSEMBLY 3.625	43	2307045	MOTOR- DRIVE HOUSING HIGH SPD	83	2013110	NUT-HEX 10-24 NYLOC
7	144-049	BEARING - FLANGE (SERVICE ONLY)	44	2307205	LATCH HANDLE PD/AP	86	2300235	CONTROL BOX COVER- POWERDRIVE
8	880-003	SEAL	45	2302750	SPRING- LATCH TORSION PD/AP	89	2315673	DECAL- COVER 68 PONTOON
9	880-006	SEAL WITH SHIELD	46	2302607	PIN- DRIV-LOK GROOVE ZINC TYPE	90	2012100	SCREW-8-18 X 5/8 [4.EA]
10	188-036	BRUSH ASSEMBLY [2.EA]	47	2305515	DECAL-STOW/DEPLOY	■	2774700	FOOT PEDAL ASSEMBLY
11	725-050	BRUSH RETENTION- PAPER TUBE	48	2305110	PAD-PIVOT SUPT [4.EA]	91	2304511	FOOT PEDAL BASE
12	738-036	BRUSH PLATE W/HOLDER	49	2305101	PIVOT PAD [2.EA]	92	2308500	WEAR PLATE FOOT PDL
13	975-040	SPRING - TORSION [2.EA]	50	2300500	PIN-LATCH PD BASE	93	2304516	FOOT PEDAL-UPPER
14	337-036	GASKET	51	2300510	PIN-PIVOT PD BASE	94	2304520	FOOT PEDAL-LOWER
15	701-008	O-RING, THRU-BOLT [2.EA]	52	2013100	NUT-SPEED [4.EA]	95	2307210	LEVER MOM/CON-
16	701-081	O-RING	53	2303612	ROD-RELEASE RT/AP SS	96	2302730	SPRING-LONG-UPPER PEDAL [2.EA]
17	830-007	SCREW-8-32 [2.EA]	54	2302700	SPRING-RELEASE LEVER	97	2302731	SPRING-SHORT-UPPER PEDAL
18	830-008	THRU-BOLT 10-32X9.2 [2.EA]	55	2303710	LEVER-RELEASE	98	2302732	SPRING-LOWER PEDAL
19	990-067	WASHER- STEEL THRUST	56	2300101	RELEASE-KNOB	99	2304012	CONTROL BOARD ASSEMBLY-FT PDL
20	990-070	WASHER - NYLATRON	57	2301700	SPACER-RELEASE LEVER	100	2300120	KNOB-SPEED SELECTOR
21	2096032	MOTOR ASSEMBLY 24V 3.625 VARS FW	58	2303430	SCREW-1/4-20 X 5/8	101	2300121	HOUSING SPEED SELECTOR
25	2032075	TUBE-CARBON COMPOSITE 48"	59	2031522	COLLAR- DRIVE (W/INSERT)	102	2302840	ACTUATOR-BOARD
■	1378131	PROPELLER KIT	60	2011365	SCREW-COLLAR/NEW KNOB	103	2302841	ACTUATOR-MOM/CON
26	2091160	PROPELLER W/WEDGE	61	2304045	CTRL BOARD ASSEMBLY-24V PD/AP	105	2302842	ACTUATOR-STEERING
27	2151726	WASHER-5/16 SS	62	2305410	SHRINK TUBE-3/8 ODX2	106	2302100	SCREW-6-20 X 1/2 [5.EA]
28	2053101	NUT-PROP NYLOC 5/16 SS	64	2332100	SCREW-8-32 X 3/8 MACHINE [3.EA]	107	2372100	SCREW-8-18 X 5/8 [5.EA]
29	2092600	PIN-DRIVE	65	2090601	LEADWIRE 10 GA 44"	108	2266610	DECAL-ON/OFF SWITCH
30	2301545	COLLAR- LATCH PD/AP	66	2020700	TERMINAL RING [2.EA]	109	2335130	BUMPER ACTUATOR
31	2303434	SCREW- 8-32X5/8 MACH PHCR	67	2222906	STRAIN RELIEF- BRACKET PD/AP	110	2994807	BAG ASSEMBLY- 4 RUBBER BUMPERS
32	2303112	NUT 8-32 NYLOC SS	68	2303430	SCREW-1/4-20 X 5/8	■	2994803	BAG ASSEMBLY- (BOLT,NUT,WASHERS)
33	2301932	EXTRUSION- BASE MACHINED	69	2306555	HOUSING- CENTER PD/AP	*111	2153501	BOLT-MOUNTING-3500 W/STG [4.EA]
34	2303932	MOTOR REST- RIGHT LARGE 3-5/8	70	2034026	BATTERY GAUGE - 24 VOLT	*112	2151726	WASHER-5/16 [4.EA]
35	2303937	MOTOR REST- LEFT LARGE 3-5/8	71	2306609	DECAL, BATTERY GAUGE	*113	2153100	NUT-5/16-18 MOUNTING [4.EA]
36	2303430	SCREW 1/4-20X5/8 SELF TAP [4.EA]	72	2302935	STRAIN RELIEF-DR. HOUSING	*114	2301720	WASHER-MOUNTING RUBBER [6.EA]
37	2301845	DRIVE HOUSING PD/AP 2001	73	2303943	SIDEPLATE (RIGHT) PONTOON	115	1854013A	MKA-16-02 PD/AP QUICK RELEASE
38	2303405	SCREW- DRIVE HOUSING [6.EA]	74	2303948	SIDEPLATE(LEFT) PONTOON			
■	2882011	BUSHING/ OUTSHAFT KIT	75	2303430	SCREW-1/4-20 X 5/8- [4.EA]			

Seal & Oring Kit P/N 2888460 \* This item is part of an assembly. This item cannot be sold separately due to machining and /or assembly that is required.

P/N 2314940

REV.A 7-04

