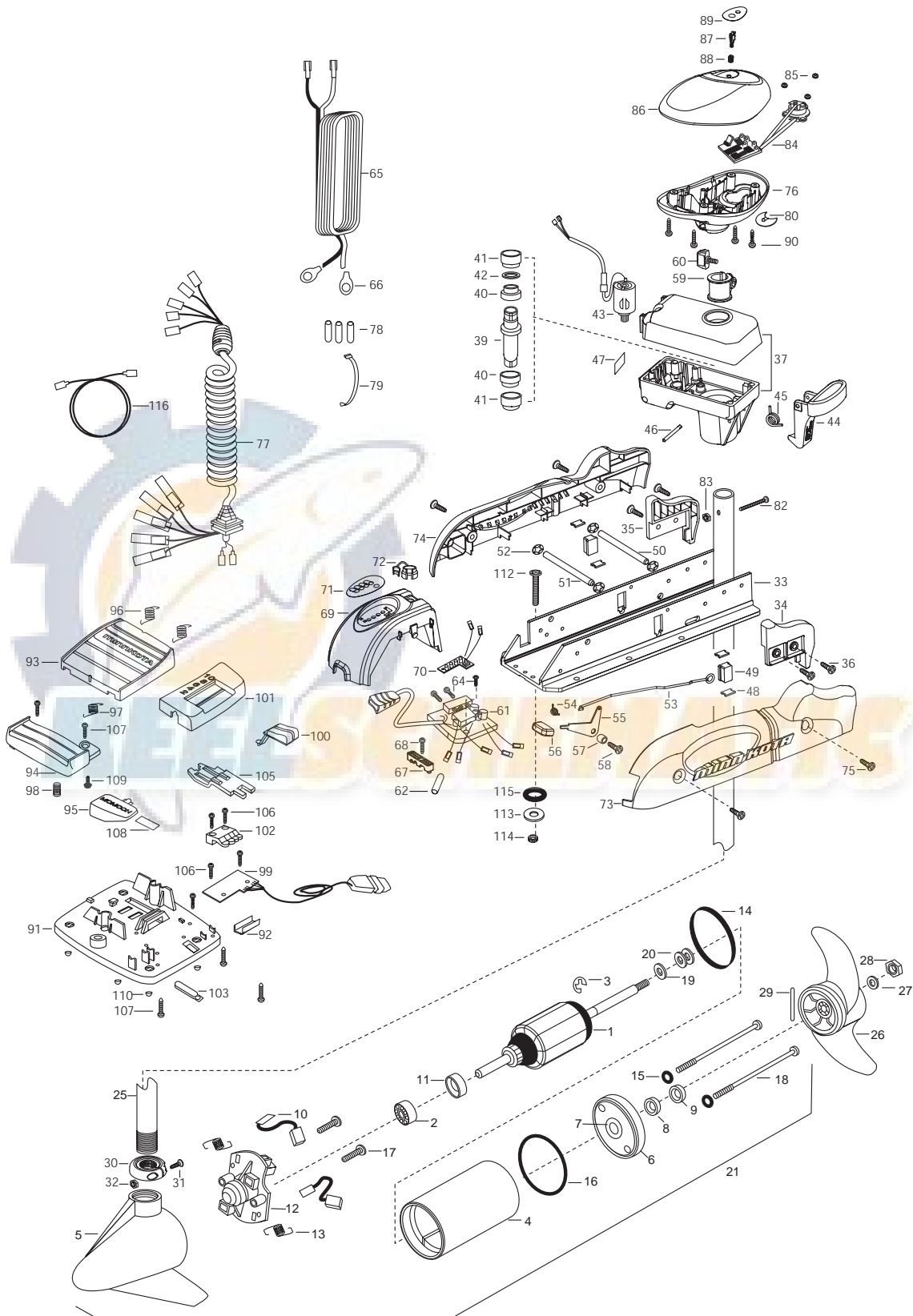


55PD/AP
55 LBS THRUST
12 VOLT 50 AMPS
54" , 48", OR 60"
SHAFT

for use with "WWAF" serial numbers
3-year warranty from the date of purchase



| | | | | | | | |
|----|-----------|---------------------------------------|-----|---------|-----------------------------------|---------|---|
| 1 | 2-100-115 | ARMATURE ASSEMBLY | ■ | 2882011 | BUSHING/ OUTSHAFT KIT | 2991262 | COIL CORD W STRAIN RELIEF 60" |
| 2 | 140-010 | BALL BEARING | | | (INCLUDES 39-42) | 78 | 2065400 WIRE INSULATOR-LGE 1-3/4 [3.EA] |
| 3 | 788-015 | RETAINING RING | *39 | 2302010 | DRIVE HOUSING OUTPUT SHAFT | 79 | 9950433 TIE WRAP-4" BLACK |
| 4 | 431-101 | HOUSING ASSEMBLY CENTER 3.62 TXT | *40 | 2307304 | BUSHING- INNER [2.EA] | 80 | 2224700 INSERT- PLUG |
| 5 | 421-065 | HOUSING -BRUSH END 3.62 TXT | *41 | 2307305 | BUSHING- OUTER [2.EA] | 82 | 2332102 SCREW-10-24 X 1-3/4 |
| | 9421-165 | HOUSING- BRUSH END 3.62 SONAR 48" | *42 | 2304603 | O-RING | 83 | 2333101 NUT-HEX 10-24 NYLOC |
| | 9421-166 | HOUSING- BRUSH END 3.62 SONAR 54"/60" | 43 | 2307045 | MOTOR- DRIVE HOUSING HIGH SPD | 84 | 2994014 CNTRL BRD/CMPSS ASSMBLY-AUTOPILOT |
| 6 | 2-400-101 | PLAIN END HOUSING ASSEMBLY 3.625 | 44 | 2307205 | LATCH HANDLE PD/AP | 85 | 2302960 GROMMET-COMPASS [3.EA] |
| 7 | 144-049 | BEARING - FLANGE (SERVICE ONLY) | 45 | 2302750 | SPRING- LATCH TORSION PD/AP | 86 | 2300235 CONTROL BOX COVER |
| 8 | 880-003 | SEAL | 46 | 2302607 | PIN- DRIV-LOK GROOVE ZINC TYPE | 87 | 2304082 ACTUATOR- SWITCH ON/OFF A/P |
| 9 | 880-006 | SEAL WITH SHIELD | 47 | 2305515 | DECAL-STOW/DEPLOY | 88 | 2302752 SPRING- ACTUATOR PD/AP SS |
| 10 | 188-036 | BRUSH ASSEMBLY [2.EA] | 48 | 2305110 | PAD-PIVOT SUPT [4.EA] | 89 | 2305661 DECAL- COVER 55PD/AP |
| 11 | 725-050 | BRUSH RETENTION- PAPER TUBE | 49 | 2305101 | PIVOT PAD [2.EA] | | 2305682 DECAL - COVER 55PD/AP/SONAR |
| 12 | 738-036 | BRUSH PLATE W/HOLDER | 50 | 2300500 | PIN-LATCH | 90 | 2372100 SCREW-8-18 X 5/8 [4.EA] |
| 13 | 975-040 | SPRING - TORSION [2.EA] | 51 | 2300510 | PIN-PIVOT | ■ | 2774700 FOOT PEDAL ASSEMBLY |
| 14 | 337-036 | GASKET | 52 | 2013100 | NUT-SPEED [4.EA] | 91 | 2304511 FOOT PEDAL BASE |
| 15 | 701-008 | O-RING, THRU-BOLT [2.EA] | 53 | 2303612 | ROD-RELEASE RT/AP SS | 92 | 2308500 WEAR PLATE FOOT PDL |
| 16 | 701-081 | O-RING | 54 | 2302700 | SPRING-RELEASE LEVER | 93 | 2304516 FOOT PEDAL-UPPER |
| 17 | 830-007 | SCREW-8-32 [2.EA] | 55 | 2303710 | LEVER-RELEASE | 94 | 2304520 FOOT PEDAL-LOWER |
| 18 | 830-042 | THRU-BOLT 10-32X8.83 [2.EA] | 56 | 2300101 | RELEASE-KNOB | 95 | 2307210 LEVER MOM/CON- |
| 19 | 990-067 | WASHER- STEEL THRUST | 57 | 2301700 | SPACER-RELEASE LEVER | 96 | 2302730 SPRING-LONG-UPPER PEDAL [2.EA] |
| 20 | 990-070 | WASHER - NYLATRON [2.EA] | 58 | 2303430 | SCREW-1/4-20 X 5/8 | 97 | 2302731 SPRING-SHORT-UPPER PEDAL |
| 21 | 2097090 | MOTOR ASSEMBLY 12V 3.62 VARS F/W | 59 | 2031522 | COLLAR- DRIVE (W/INSERT) | 98 | 2302732 SPRING-LOWER PEDAL |
| | 2107090 | MOTOR ASMBLY-SONAR 12V 3.62 VARS 48" | 60 | 2011365 | SCREW-COLLAR/NEW KNOB | 99 | 2304012 CONTROL BOARD ASSEMBLY-FT PDL |
| | 2107091 | MOTOR ASMBLY-SONAR 12V 3.62 VARS 54" | 61 | 2304041 | CONTROL BOARD ASSEMBLY- 12V PD/AP | 100 | 2300120 KNOB-SPEED SELECTOR |
| 25 | 2032076 | TUBE- COMPOSITE 54" | 62 | 2355410 | SHRINK TUBE-1/2 ODX2 | 101 | 2300121 HOUSING SPEED SELECTOR |
| | 2032075 | TUBE- COMPOSITE 48" | 64 | 2332100 | SCREW-8-32 X 3/8 [3.EA] | 102 | 2302840 ACTUATOR-BOARD |
| | 2032077 | TUBE - COMPOSITE 60" | 65 | 2090601 | LEADWIRE IOGA 44" | 103 | 2302841 ACTUATOR-MOM/CON |
| ■ | 1378131 | PROPELLER KIT | 66 | 2020700 | TERMINAL RING [2.EA] | 105 | 2302842 ACTUATOR-STEERING |
| 26 | 2091160 | PROPELLER W/WEDGE 2 | 67 | 2222906 | STRAIN RELIEF- BRACKET PD/AP | 106 | 2302100 SCREW-6-20 X 1/2 [5.EA] |
| 27 | 2151726 | WASHER-5/16 SS | 68 | 2303430 | SCREW-1/4-20 X 5/8 | 107 | 2372100 SCREW-8-18 X 5/8 [5.EA] |
| 28 | 2053101 | NUT-PROP NYLOC | 69 | 2306555 | HOUSING- CENTER PD/AP | 108 | 2266610 DECAL-ON/OFF SWITCH |
| 29 | 2092600 | PIN-DRIVE | 70 | 2034025 | BATTERY GAUGE - 12 VOLT | 109 | 2335130 BUMPER ACTUATOR |
| 30 | 2301545 | COLLAR- LATCH PD/AP | 71 | 2306609 | DECAL, BATTERY GAUGE | 110 | 2994807 BAG ASSEMBLY- 4 RUBBER BUMPERS |
| 31 | 2303434 | SCREW- 8-32X5/8 MACH PHCR | 72 | 2302935 | STRAIN RELIEF-DR. HOUSING | ■ | 2994803 BAG ASSEMBLY- (BOLT,NUT,WASHERS) |
| 32 | 2303112 | NUT 8-32 NYLOC SS | 73 | 2303941 | SIDEPLATE (RIGHT) | *112 | 2153501 BOLT-MOUNTING-3500 W/STG [4.EA] |
| 33 | 2301932 | EXTRUSION- BASE MACHINED | 74 | 2303946 | SIDEPLATE(LEFT) | *113 | 2151726 WASHER-5/16 [4.EA] |
| 34 | 2303932 | MOTOR REST- RIGHT LARGE | 75 | 2303430 | SCREW-1/4-20 X 5/8- [4.EA] | *114 | 2153100 NUT-5/16-18 MOUNTING [4.EA] |
| 35 | 2303937 | MOTOR REST- LEFT LARGE | 76 | 2772515 | CONTROL BOX / DECAL ASSEMBLY | *115 | 2301720 WASHER-MOUNTING RUBBER [6.EA] |
| 36 | 2303430 | SCREW 1/4-20X5/8 SELF TAP [4.EA] | 77 | 2991261 | COIL CORD W STRAIN RELIEF 54" | 116 | 2211405 EXTENSION CABLE- SONAR |
| 37 | 2301845 | DRIVE HOUSING PD/AP 2001 | | 2991260 | COIL CORD W STRAIN RELIEF 48" | | |

