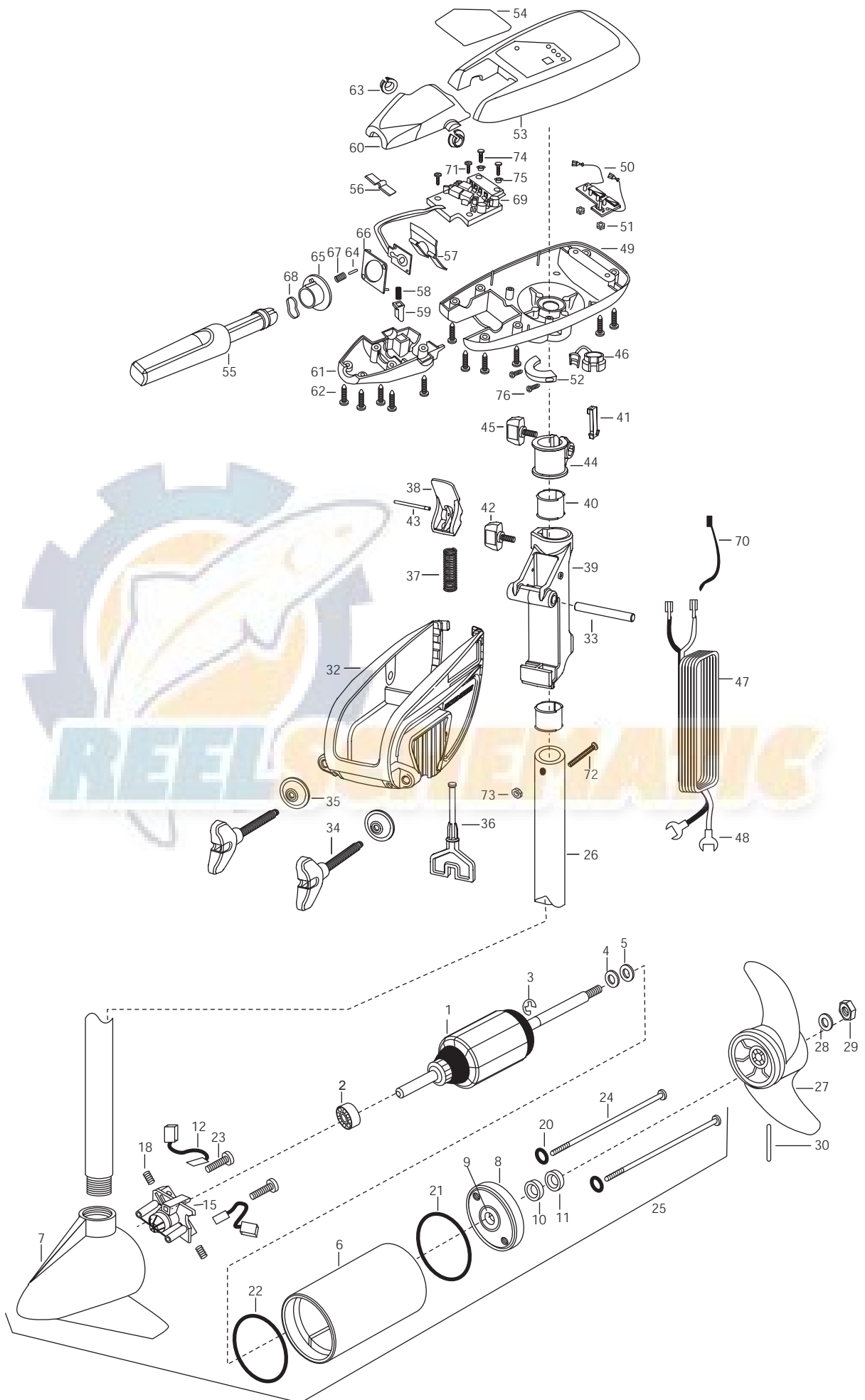


MAXXUM 40T
12 VOLT 42 AMPS
40 LBS. THRUST
36" OR 42" SHAFT

for use with "MKAF" serial numbers
3-year warranty from the date of purchase



1	2-100-201	ARM ASSEMBLY 12V 3.25 40#	44	2061520	COLLAR DEPTH
2	140-010	BEARING-BALL	45	2011365	SCREW COLLAR/NEW KNOB
3	788-015	RETAINING RING	46	2052900	STRAIN RELIEF C.CORD/SP.C
4	990-067	WASHER- STEEL THRUST	47	2050609	LEADWIRE-10 GA SPADE TERM
5	990-070	WASHER- NYLATRON [2.EA]	48	2020702	SPADE TERMINAL 10GA. [2.EA]
6	2-200-079	HOUSING ASSEMBLY CENTER 3.25 TXT	49	2062592	CONTROL BOX FW .725 BORE ZIN
7	421-132	HOUSING BRUSH END 3.25 TXT	50	2034035	BATTERY GAUGE 12 VOLTS
8	2-400-128	PLAIN END HOUSING ASSEMBLY 3.25	51	2303120	SPEED NUT [2.EA]
9	144-049	BEARING- FLANGE	52	2061515	COLLAR CTRL BOX FRS WTR
10	880-003	SEAL	53	2260290	CONTROL BOX COVER BLK W/PRINT
11	880-006	SEAL WITH SHIELD	54	2065621	DECAL- COVER MAX 40T TRANS
12	188-052	BRUSH ASSEMBLY [2 REQ'D]	55	2990914	HANDLE ASSEMBLY W/O U-JOINT
15	738-030	BRUSH PLATE W/HOLDER 3.25 ASSEMBLY	56	2302742	SPRING DETENT (OFF)
18	975-032	SPRING- COMPRESSION [2.EA]	57	2302743	SPRING DETENT HANDLE TILT
20	701-007	O-RING [2. EA]	58	2302745	SPRING RELEASE BUTTON
21	701-039	O-RING MK406460	59	2303720	RELEASE BUTTON HANDLE
22	701-041	O-RING	60	2060409	HANDLE- TOP HALF MAXIMIZE
23	830-001	SCREW - SELF-THREAD 8-32X1.7 [2.EA]	61	2060415	HANDLE- LOWER HALF
24	830-078	THRU BOLT 8-32X8.96 [2. EA]	62	2303412	SCREW- 6-20X5/8 SELF TAP [11.EA]
25	2068251	MTR ASSEMBLY 12V 3.25 VARS TXT	63	2060005	BEARING HANDLE PIVOT [2.EA]
26	2032052	TUBE (COMPOSITE) 36	64	2302600	PIN ACTUATOR
	2032053	TUBE (COMPOSITE) 42	65	2302850	ACTUATOR CAM
■	1378126	PROPELLER KIT	66	2302851	ACTUATOR FWD/REV
27	2061125	PROPELLER W/WEDGE	67	2302740	SPRING- ACTUATOR
28	2151726	WASHER-5/16 STD SS	68	2302741	SPRING- CAM ZNC PLTD STEEL
29	2053101	NUT-PROP NYLOC	69	2194000	CONTROL BOARD ASSEMBLY
30	2092600	PIN-DRIVE (SS)	70	2256300	TIE WRAP 5.5" BLACK
■	2771818	BRACKET & HINGE ASSEMBLY- INCLUDES 32- 43	71	2372100	SCREW- #8-18X5/8 THD SS [2.EA]
■	2771910	BRACKET ASSEMBLY- INCLUDES 32,33,34	72	2383407	SCREW- #10-24X2 PPH ZINC
*32	2061910	BRACKET-PLASTIC	73	2383124	NUT- 10-24 NYLOCK ZINC
33	2060510	PIN-HINGE	74	2301310	SCREW- #8 18 X 1/2 SS [2. EA]
■	2881300	SCREW CLAMP, WASHER, RETAINER KIT [2.EA]	75	2301710	WASHER INSUL. TRANSF.BAR [2.EA]
*34	2061300	SCREW CLAMP [2.EA]	76	2263434	SCREW #8X1" PPH TYPE 25 SS [2.EA]
*35	2011710	WASHER- CLAMP SCREW 1.5 OD [2.EA]			
36	2063605	T BAR- PLASTIC			
37	2062706	SPRING- T BAR			
38	2067201	LEVER TILT BLACK			
39	2061810	HINGE PLASTIC			
40	2037301	BUSHING HINGE [2.EA]			
41	2062800	TENSION BLOCK "SNAP IN			
42	2011385	SCREW TENSION/NEW KNOB			
43	2060515	PIN, TILT LEVER			

Seal & Oring Kit P/N 2883460 * This item is part of an assembly. This item cannot be sold separately due to machining and /or assembly that is required.

P/N 2034960 REV. A 9-03

