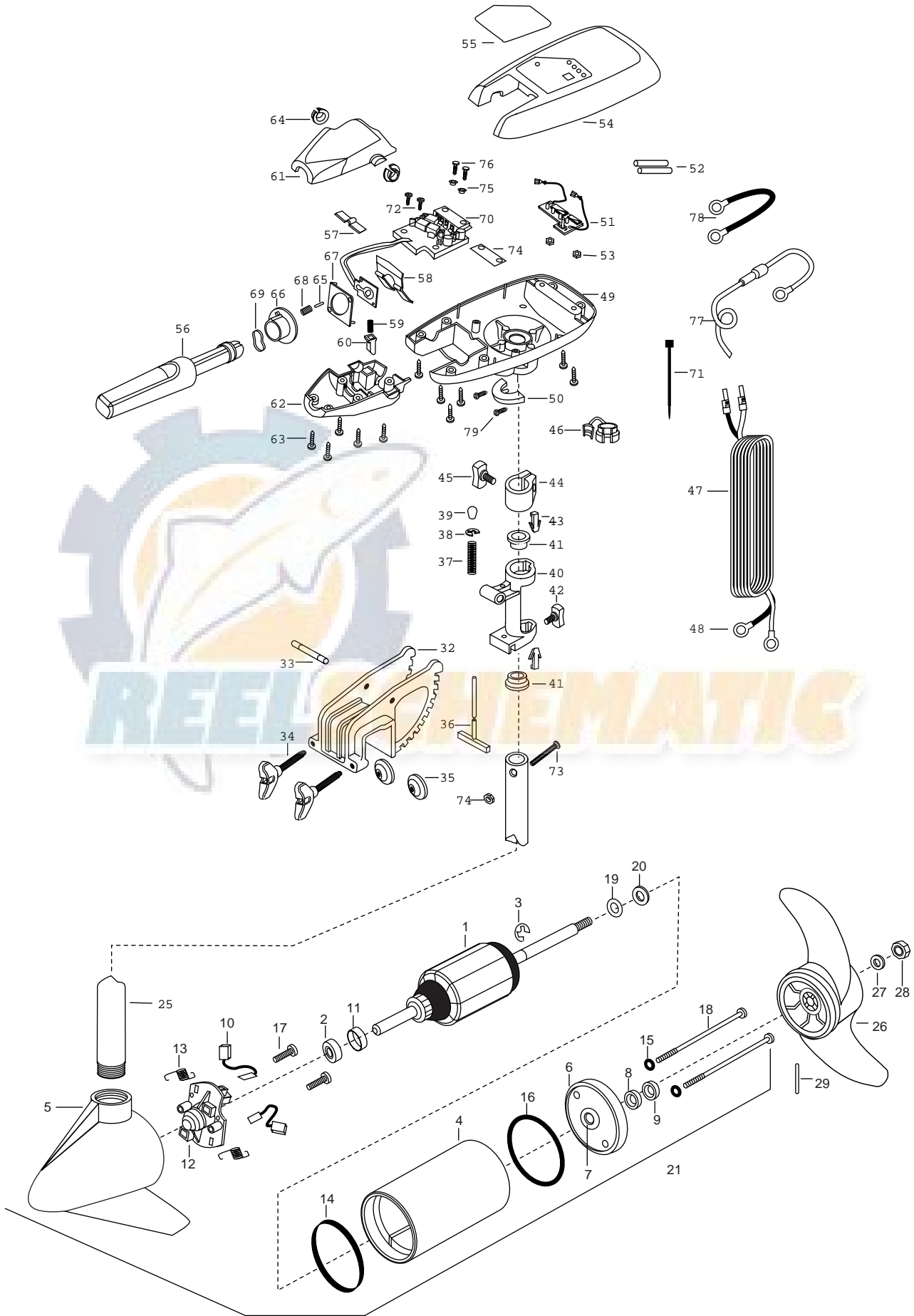


MAXXUM 70/T
70 lbs Thrust
24 Volt 42 Amps
36" or 42" Shaft

for use with "WWAF" serial numbers
3-year warranty from the date of purchase



| | | | | | |
|-----|-----------|---|----|---------|-----------------------------------|
| 1 | 2-100-119 | ARMATURE ASSEMBLY | 41 | 2037301 | BUSHING-HINGE [2.EA] |
| 2 | 140-010 | BALL BEARING | 42 | 2011385 | SCREW-TENSION/NEW KNOB |
| 3 | 788-015 | RETAINING RING | 43 | 2062800 | TENSION BLOCK- "SNAP IN" [2.EA] |
| 4 | 431-005 | CENTER HOUSING ASSEMBLY 3.625 FW TXT | 44 | 2061520 | COLLAR-DEPTH |
| 5 | 421-065 | HOUSING BRUSH END 3.62 TXT | 45 | 2011365 | SCREW-COLLAR/NEW KNOB |
| 6 | 2-400-101 | PLAIN END HOUSING ASSEMBLY 3.625 | 46 | 2052900 | STRAIN RELIEF-C.CORD/SPC |
| 7 | 144-049 | BEARING - FLANGE (SERVICE CENTER ONLY) | 47 | 2090600 | LEADWIRE (10 GA) RINGS |
| 8 | 880-003 | SEAL | 48 | 2020700 | TERMINAL RING, 3/8" [2.EA] |
| 9 | 880-006 | SEAL WITH SHIELD | 49 | 2062592 | CONTROL BOX,FW, .725 BORE ZIN |
| 10 | 188-036 | BRUSH ASSEMBLY [2.EA] | 50 | 2061515 | COLLAR-CTRL BOX |
| 11 | 725-050 | BRUSH RETENTION- PAPER TUBE | 51 | 2034036 | BATTERY GAUGE-24 VOLTS |
| 12 | 738-036 | BRUSH PLATE W/HOLDER | 52 | 2375400 | SHRINK TUBE-1/4OD X 1-3/4 [2.EA] |
| 13 | 975-040 | SPRING - TORSION [2.EA] | 53 | 2303120 | SPEED NUT [2.EA] |
| 14 | 337-036 | GASKET | 54 | 2990294 | CTRL BOX CVR/DECAL ASSEMBLY |
| 15 | 701-008 | O-RING, THRU-BOLT [2.EA] | 55 | 2065661 | DECAL-COVER MAX70T TRANS |
| 16 | 701-081 | O-RING | 56 | 2990914 | HANDLE ASSEMBLY W/O U-JOINT |
| 17 | 830-007 | SCREW-8-32 [2.EA] | 57 | 2302742 | SPRING-DETENT (OFF) |
| 18 | 830-008 | THRU-BOLT 10-32X9.205 [2.EA] | 58 | 2302743 | SPRING-DETENT HANDLE-TILT |
| 19 | 990-067 | WASHER- STEEL THRUST | 59 | 2302745 | SPRING-RELEASE BUTTON |
| 20 | 990-070 | WASHER - NYLATRON | 60 | 2303720 | RELEASE BUTTON-HANDLE |
| 21 | 2096030 | MOTOR ASSEMBLY 24V F/W 51.5" LDS | 61 | 2060409 | HANDLE (TOP HALF) MAXIMIZE |
| 25 | 2032057 | TUBE (COMPOSITE) 36" | 62 | 2060415 | HANDLE (LOWER HALF) |
| | 2032053 | TUBE (COMPOSITE) 42" | 63 | 2303412 | SCREW-6-20 X 5/8 SELF TAP [11.EA] |
| ■ | 1378131 | PROPELLER- KIT | 64 | 2060005 | BEARING-HANDLE PIVOT [2.EA] |
| 26 | 2091160 | PROPELLER W/WEDGE 2 | 65 | 2302600 | PIN-ACTUATOR |
| 27 | 2151726 | WASHER- 5/16 STD SS | 66 | 2302850 | ACTUATOR-CAM |
| 28 | 2053101 | NUT-PROP NYLOC 5/16 SS | 67 | 2302851 | ACTUATOR-FWD/REV |
| 29 | 2092600 | PIN-DRIVE SS | 68 | 2302740 | SPRING- ACTUATOR |
| ■ | 2771960 | BRACKET & HINGE ASSEMBLY(FW) | 69 | 2302741 | SPRING-CAM ZNC PLTD STEEL |
| ■ | 2771901 | BRACKET/CLAMP SCREWS/WASHERS INCL.32,334,35 | 70 | 2194006 | CTRL BOARD ASSEMBLY |
| *32 | 2031931 | BRACKET DIE CAST-FW PAINT | 71 | 2256300 | TIE WRAP-5.5" BLACK |
| 33 | 2010511 | PIN-HINGE | 72 | 2372100 | SCREW-8-18 X 5/8 THD [2.EA] |
| ■ | 2881300 | SCREW-CLAMP, WASHER, RETAINER KIT [2.EA] | 73 | 2383407 | SCREW-10-24 X 2 PPH ZINC |
| *34 | 2061300 | SCREW-CLAMP [2.EA] | 74 | 2383124 | NUT-10-24 NYLOCK ZINC PLT |
| *35 | 2011710 | WASHER [2.EA] | 75 | 2301710 | WASHER-INSUL. (TRANSF.BAR) [2.EA] |
| 36 | 2033600 | T-BAR | 76 | 2301310 | SCREW-8-18 X 1/2 SS [2.EA] |
| 37 | 2012700 | SPRING- (T-BAR) | 77 | 2060310 | CONNECT'GROUND WIRE-FUSED |
| 38 | 2013000 | E-RING- (PULLEY HOUSING) | 78 | 2090620 | CONNECTOR CABLE 24 VOLT |
| 39 | 2010100 | KNOB-TILT | 79 | 2263434 | SCREW #8 X 1" PPH SS [2.EA] |
| 40 | 2031852 | HINGE-MACHINED | | | |

