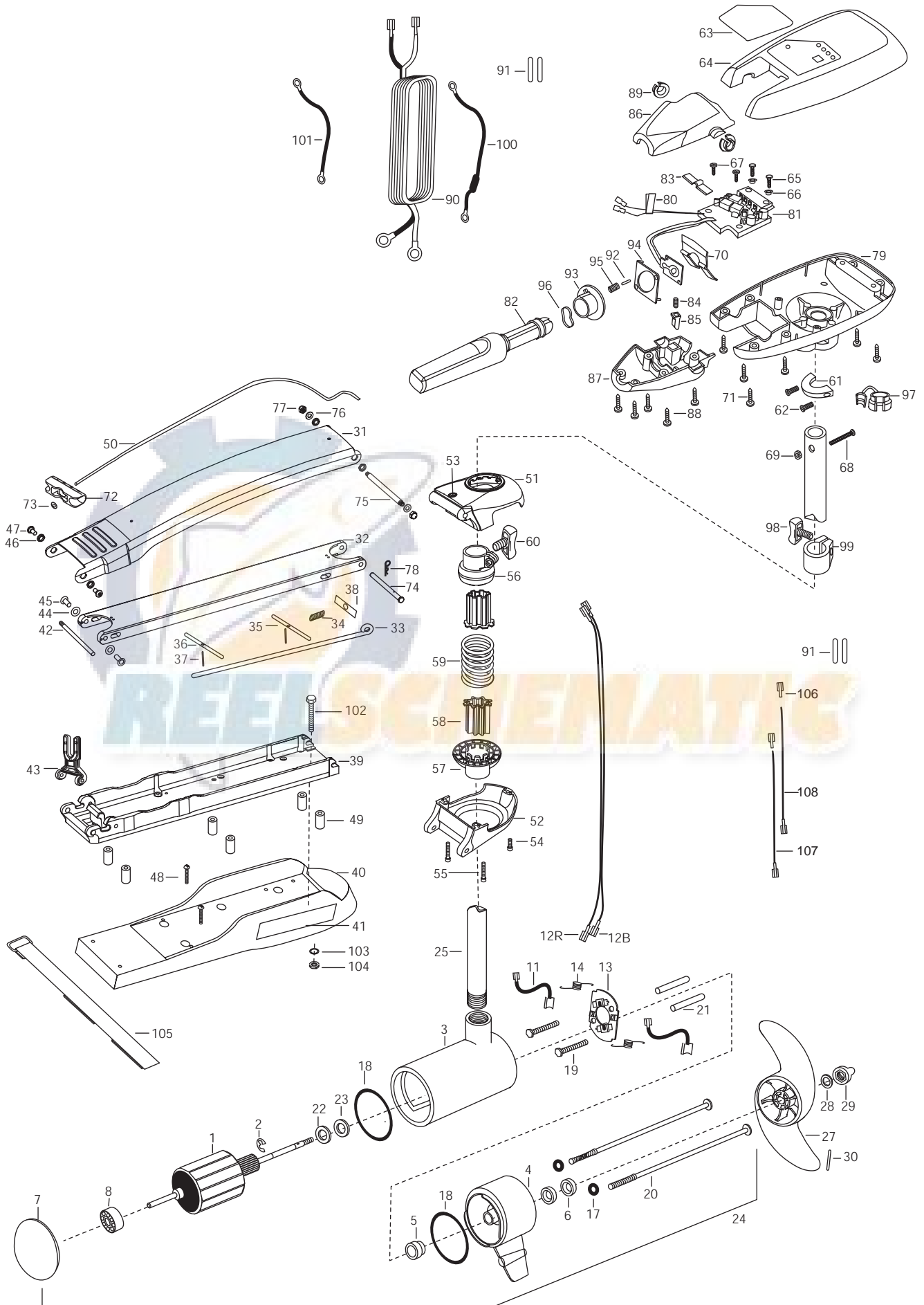


RT 101/B
101 LBS THRUST
36 VOLT 46 AMPS
52" or 62" SHAFT

for use with "WWAF" serial numbers
3-year warranty from the date of purchase



1	2-100-215	ARMATURE ASSEMBLY 36V VARS SW		2993982	BOWPLATE/INSRT ASSEMBLY LG- 62"	77	2263100	NUT- TENSION 5/16-18 SS [2.EA]
2	788-040	RETAINING RING	40	2263914	MOTOR LATE STD-MAXXUM WHT-52"	78	2260806	CLIP- HAIR SPRING SS MAX BG
3	431-310	CENTER HOUSING ASSEMBLY- 4.0 SW TXT WHT		2263915	MOTOR REST LONG-MAX WHT-62"	79	2062596	CONTROL BOX SW .725 BORE WHT
4	2-300-340	BRUSH END HOUSING ASSEMBLY 4 SW WHT	41	2065676	DECAL- MOTOR REST RT W [2.EA]	80	2305810	TAG-AIR SWITCH LEADS
5	144-017	BEARING -FLANGE (SERVICE ONLY)	42	2260505	PIN-HINGE (HEADLESS) S/S	81	2264013	CTRL BOARD ASSEMBLY-RT 101
6	880-025	SEAL [2.EA]	43	2293811	YOKE,MAX MNT-POLYPROPYLENE	82	2990915	HANDLE ASSEMBLY W/O U-JOINT
7	421-360	PLAIN END HOUSING ASSEMBLY 4.0 WHT	44	2261708	WASHER-3/8"X1/2"X.010 [2.EA]	83	2302742	SPRING-DETENT (OFF) SS
8	140-010	BALL BEARING	45	2236000	BEARING NYLINER [2.EA]	84	2302745	SPRING-RELEASE BUTTON SS
11	188-094	BRUSH 4" W/TERMINAL [2.EA]	46	2293501	BUSHING, STAINLESS STEEL [4.EA]	85	2303720	RELEASE BUTTON-HANDLE
12B	640-017	BRUSH WIRE BLACK 10 AWG 61	47	2263500	BOLT, SHOULDER (MAXXUM) [2.EA]	86	2060411	HANDLE (TOP HALF)MAXXUM
12R	640-121	BRUSH WIRE RED 10 AWG 62-1/2	48	2263434	SCREW-#8-18 K 1" PPH S/S -52" [2.EA]	87	2060415	HANDLE (LOWER HALF)
13	738-004	BRUSH PLATE -4" TERMINAL	49	2261505	SPACER, MOTOR REST-52" [6.EA]	88	2303412	SCREW-#6-20 X 5/8 SELF TAP [5.EA]
14	975-041	SPRING -TORSION [2.EA]	50	2251601	ROPE (40'), MAXXUM MOUNT	89	2060005	BEARING-HANDLE PIVOT [2.EA]
17	701-009	O-RING -THRU BOLT [2.EA]	■	2994833	BAG ASSEMBLY,MAX STABILIZER KIT	90	2090600	LEADWIRE (10 GA) RINGS
18	701-043	O-RING [2.EA]	■	2991846	BOWGUARD ASSEMBLY SW WHT HCT	91	2305401	SHRINK TUBING .374 X 1.5" [4 EA.]
19	830-027	SCREW -SELF THREADED 10-32 X 2"[2.EA]	51	2261968	BRKT BASE TOP/EYLET SW WHT	92	2302600	PIN-ACTUATOR
20	830-096	THRU BOLT 12-24 X 11.56" SS [2.EA]	52	2991877	BRKT BTM/BEARING SW WHT	93	2302850	ACTUATOR-CAM
21	973-025	SPACER -BRUSH PLATE [2.EA]	53	2772352	EYELET KIT - ROPE	94	2302851	ACTUATOR-FWD/REV
22	990-051	WASHER-STEEL THRUST	54	9954533	SCREW-1/4-20 K 3/4 SS	95	2302740	SPRING- (ACTUATOR)
23	990-052	WASHER- NYLATRON	55	2263404	SCREW-1/4-20X2 1/4 SCHP SS [2.EA]	96	2302741	SPRING-CAM (ZNC PLTD STEEL
24	2316253	MOTOR ASSEMBLY 36V 4.0 VARS SW 101 WHT	■	2884701	SLEEVE/INSERT KIT INCL. 59,60,61	97	2052900	STRAIN RELIEF-C.CORD/SPC
25	2032034	TUBE- COMPOSITE 52" WHT	*56	2261525	SPRING-SLEEVE UPPER	98	2011366	SCREW-COLLAR/NEW KNOB SS
	2032085	TUBE-COMPOSITE 62" WHT	*57	2261535	SPRING SLEEVE, LOWER	99	2031520	COLLAR-DEPTH (W/O INSERT)
■	1378132	PROPELLER KIT	*58	2264702	INSERT-TUBE (2 PER) B.MNT	100	2998200	CIRCUIT BREAKER ASSEMBLY,36V
27	2331160	PROPELLER- WEEDLESS WEDGE 2	59	2262705	SPRING, BOWGUARD, SS	■	2994832	BAG ASSEMBLY MAX101 -62"
28	2091701	WASHER- PROP LARGE MAX101	60	2011366	SCREW-COLLAR/NEW KNOB SS	■	2994830	BAG ASSEMBLY-INCL. 106,107,108
29	2198401	ANODE-ZINC 4.0 LVR UNIT	61	2061517	COLLAR-CTRL BOX SW WHT	101	2340610	CONNECTOR CABLE
30	2262658	PROP PIN	62	2263434	SCREW-#8X1" PPH TYPE 25 SS [2.EA]	*102	2263431	SCREW 1/4-20 K 3.5 PPH [6.EA]
■	2771843	MOUNT,BOW ASSEMBLY, SW STD WHT W/BG	63	2095685	DECAL-COVER, RT101/B/S HC	*103	2261713	WASHER-1/4 FLAT S/S [6.EA]
	2771844	MOUNT,BOW ASSEMBLY, SW LG-62" W/BG WHT	64	2300219	COVER- CONTROL BOX RIPTIDE WHT	*104	2263103	NUT-1/4-20 NYLOCK-JAM S/S [6.EA]
31	2264244	ARM-UPPER STD SW TXT WHT -52"	65	2301310	SCREW-#8-18 X 1/2 SS [2.EA]	105	2263802	STRAP-HOLD DWN 30.5" VELCRO
	2264249	ARM-UPPER LONG SW TXT WHT -62"	66	2301710	WASHER-INSUL. (TRANSF.BAR) [2.EA]			
32	2994310	ARM-LOWER ASSEMBLY STD SW WHT-52"	67	2372100	SCREW-#8-18 X 5/8 THDT SS [2.EA]			62" SHAFT ONLY
	2994320	ARM-LOWER ASSEMBLY LNG SW WHT -62"	68	2263406	SCREW-#10-24 X 2 SS	106	2030710	CONNECTOR BUTT [2.EA]
33	2153603	EYE SHAFT-2LOCKBAR STD-52"	69	2333101	NUT-#10-24 NYLOCK SS	107	2030317	WIRE EXTENSION 18" RED
	2153605	EYE SHAFT-2LOCKBAR LONG- 62"	70	2302743	SPRING-DETENT (HANDLE-TILT)	108	2030316	WIRE EXTENSION 18" BLACK
34	2152701	SPRING-(LOCKBAR) SS	71	2303412	SCREW-#6-20 X 5/8 SELF TAP [6.EA]			
35	2233601	LOCKBAR SS (NEW 500)	72	2150400	PULL-GRIP			
36	2233603	LOCK BAR, REAR - SS	73	2151700	WASHER-EYE SHAFT(.562 OD)			
37	2152610	SPRING-PIN (LOCKEAR) [2.EA]	74	2262606	PIN- CLEVIS MAXXUM BWGRD SS			
38	2262703	SPRING STOP	75	2262604	PIN- BWGRD UPPER THREADED SS			
39	2993983	BOWPLATE/INSRT ASSEMBLY STD-52"	76	2261722	WASHER-FLAT 5/16 SS [2.EA]			

