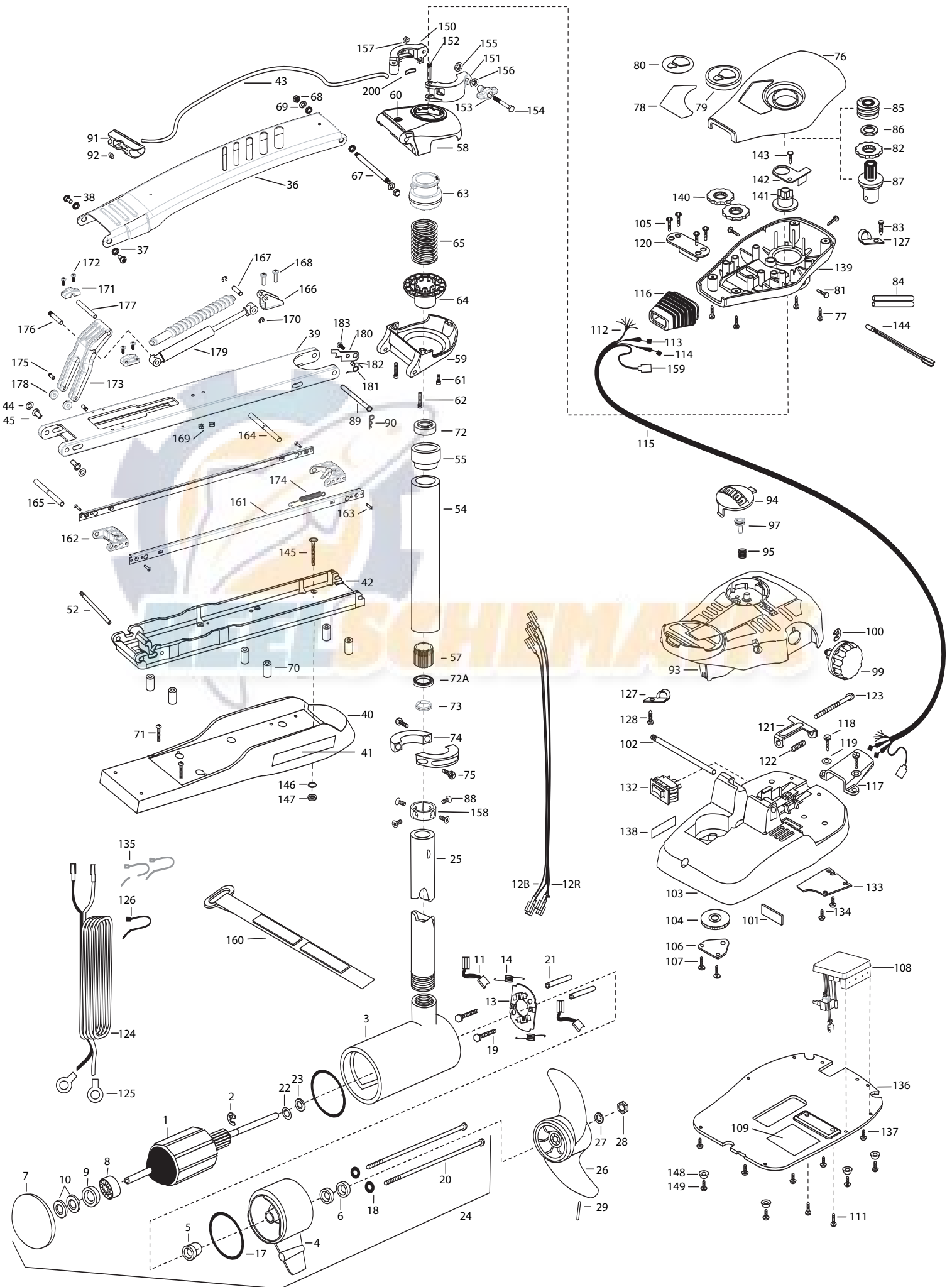


# MAXXUM PRO 80 FC

80 lbs Thrust  
24 volt 56 amps  
52" & 62" SHAFT

for use with "AG" serial numbers

3-year warranty from the date of purchase



1	2-100-214	ARMATURE ASSEMBLY 24V 4"	60	2772352	EYELET KIT -ROPE	127	2263201	CLAMP WIRE HARNESS MICRO [2.EA]
2	788-040	RETAINING RING	61	2263423	SCREW 5/16-18 X 1 SHCS	128	2332103	SCREW-6-20 X 3/8 THD SS
3	2-200-160	CENTER HOUSING ASSEMBLY 4.0 TXT	62	2263425	SCREW 5/16-18 X 2-1/2 SHCS [2.EA]	132	2254031	SWITCH-MOM/OFF/CON
	2-200-170	CENTER HOUSING ASSEMBLY 4.0- SONAR	63	2071541	SPRING-SLEEVE UPPER	133	2266412	SWITCH PLATE, PT PEDAL
4	2-300-160	BRUSH END HOUSING ASSEMBLY	64	2071535	SPRING SLEEVE, LOWER	134	2332103	SCREW-6-20 X 3/8 THD SS [2.EA]
5	144-017	BEARING- FLANGE (SERVICE ONLY)	65	2262712	SPRING, BOWGUARD, FC PAINTED	135	2256301	TIE WRAP-5.5 WHITE [2.EA]
6	880-025	**SEAL [2.EA]	67	2262605	PIN- THREADED ZP	136	2264511	BOTTOM PLATE, MAXXUM PT
7	421-276	PLAIN END HOUSING ASSEMBLY	68	2223100	NUT - NYLOCK SS [2.EA]	137	2372100	SCREW-8 X 1/2 SS [5.EA]
	9421-277 / 9421-278	52"/62" PLAIN END HOUSING ASSEMBLY SONAR	69	2261722	WASHER [2.EA]	138	2266610	DECAL-ON/OFF SWITCH
8	140-010	BALL BEARING	■	2994832	BAG ASSEMBLY	139	2262535	CONTROL BOX-PLASTIC
9	990-045	THRUST SPACER	*70	2261505	SPACER, MOTOR REST [6.EA]	140	2267800	GEAR-INDICATOR [2.EA]
10	992-010	SPRING WASHER [2.EA]	*71	2263434	SCREW, 8-18 X 1 PPH SS [2.EA]	141	2262220	INDICATOR-DRIVE
11	186-094	BRUSH [2.EA]	72	2266000	BEARING, BALL-STEEL	142	2261905	BRACKET/INDICATOR
12B	640-024	LEADWIRE-BLACK 10 AWG 79"	72A	2266001	BEARING, CARTRIDGE	143	2301310	SCREW-8-18 X 1/2 SS
12R	640-131	LEADWIRE-RED 10 AWG 80 1/2"	73	2266116	BEARING, SPLIT RING	144	2264015	LIGHT/INDICATOR
13	738-040	BRUSH PLATE 4"	74	2261622	COLLAR HALF-PAINTED-2 PER- KIT	■	2994830	BAG ASSEMBLY-MAXXUM
14	975-041	SPRING- TORSION [2.EA]	75	2263453	SCREW-1/4-20 X 3/4 SHCS SS [2.EA]	*145	2263431	SCREW 1/4-20 X 3.5 PPH [6.EA]
17	701-043	**O-RING [2.EA]	76	2260283	CONTROL BOX COVER-MAXXUM	*146	2261713	WASHER-1/4 FLAT S/S [6.EA]
18	701-009	**O-RING-THRUBOLT [2.EA]	77	2372100	SCREW-8-18 X 5/8 THD [4.EA]	*147	2263103	NUT-1/4-20 NYLOCK-JAM [6.EA]
19	830-027	SCREW -SELF THREAD 10-32X2 [2.EA]	78	2265641	DECAL COVER, MAXXUM 80	148	2265126	BUMPER [4.EA]
20	830-094	THRU BOLT 12-24X10.31 [2.EA]		2265648	DECAL COVER, MAXXUM 80-SONAR	149	2263455	SCREW #12 [4.EA]
21	973-025	SPACER- BRUSH PLATE [2.EA]	79	2260150	POINTER DISC TRNSLCNT RED	■	2991550	CLAMP COLLAR ASSEMBLY
22	990-051	WASHER- STEEL	80	2265800	DECAL-INDICATOR	150	2071550	CLAMP COLLAR "A"
23	990-052	WASHER- NYLATRON	81	2053414	SCREW-#8-32 X 1/2 TRI-LOBE [3.EA]	151	2071555	CLAMP COLLAR "B"
24	2316217	MOTOR ASSEMBLY 24V 4" VARS 52" TXT	82	2267800	GEAR-INDICATOR	152	2072621	PIN-KNURLED
	2316229	MOTOR ASSEMBLY 24V 4" VARS 62" TXT	83	2301310	SCREW-8-18 X 1/2 SS	153	2070120	KNOB-CLAMP COLLAR
	2326213	MOTOR ASSEMBLY 24V 4" VARS 52" SONAR	84	2355410	SHRINK TUBE-3/8 OD X 2- [2.EA]	154	2073412	SCREW 1/4-28 X 2 3/4" SS
	2326218	MOTOR ASSEMBLY 24V 4" VARS 62" SONAR	85	2232360	PULLEY-CABLE DRUM	155	2071718	WASHER #10 NYLON RETAINING
25	2032007	TUBE COMP W/4 HOLE 62"	86	2261730	WASHER-NYLON	156	2071716	WASHER - FLAT SS
	2032006	TUBE COMP W/4 HOLE 52"	87	2996247	PINION/RACE ASSEMBLY	157	2073102	NUT - HEX 1/4 - 28 SS
	2032005	TUBE COMP W/4 HOLE 48"	88	2223468	SCREW-8-32 X 7/16 ZN PL [4.EA]	158	2071560	SPLIT COLLAR
■	1378132	PROPELLER KIT	89	2262607	PIN- CLEVIS ZP	159	2211400	EXTENSION CABLE- SONAR
26	2331160	PROPELLER W.WEDGE 2	90	2260800	SPRING CLIP SS	160	2263804	STRAP - VELCRO 30.5"
27	2091701	WASHER-PROP LARGE	91	2150400	PULL-GRIP	161	2263615	TIE RAIL LONG [2 EA.]
28	2093101	NUT-PROP NYLOCK SS	92	2151700	WASHER-EYE SHAFT .562 OD	162	2262645	LATCH PIN HOLDER [2 EA.]
29	2262658	PIN-DRIVE SS	93	2790002	FOOT PEDAL/PLUG ASSEMBLY	163	2263456	SCREW #8 - 3/4" BTFH SS [4 EA.]
■	2991742	MOUNT,BOW ASSEMBLY, FW 62"	94	2993702	PUSH BUTTON / MAGNET ASSEMBLY	164	2262661	LATCH PIN, GROOVED FRONT SS
	2991741	MOUNT,BOW ASSEMBLY, FW 52"	95	2302732	SPRING-LOWER PEDAL SS	165	2262663	LATCH PIN, GROOVED REAR SS
36	2264255	ARM UPPER-FW LONG	97	2260810	CLIP, REED SWITCH	166	2261990	BRACKET, CYLINDER FRONT
37	2293501	BUSHING, STAINLESS STEEL [4.EA]	99	2260160	KNOB-SPEED CONTROL VAR	167	2262665	PIN, FRONT SHOCK MOUNT
38	2263500	BOLT, SHOULDER MAXXUM [2.EA]	100	2263000	E-RING TRU-ARC#5133-43	168	2332104	SCREW 1/4-20 X 5/8" PH SS [2 EA.]
■	2774335	LOWER ARM ASSEMBLY, LONG, FW	101	2266413	PLATE -TENSION SCREW FTPED.	169	2073100	1/4-20" NUT SS [2 EA.]
39	2264335	ARM-LOWER ASSEMBLY,LG,FW,EXT	102	2260511	PIN-PIVOT A/T PT PDL	170	2263006	E-CLIP [2 EA.]
40	2263913	MOTOR REST LONG MAXXUM	103	2774550	FT PEDAL BASE/PIN ASSEMBLY	171	2261995	BRACKET REAR [2 EA.]
41	2265508	DECAL-MAXXUM,MOTOR REST [2.EA]	104	2262301	PULLEY- FOOT PEDAL	172	2223454	SCREW #10-32 X 1/2" PH SS [4 EA.]
42	2773986	BOWPLATE- FW LG MACH/INSERT	105	2223430	SCREW #8X3/4 PPH TYPE 25 SS [4.EA]	173	2261545	YOKE-GAS ASSIST
43	2251601	ROPE 40" MAXXUM MOUNT	106	2266400	COVER-PULLEY STAMPING	174	2262722	SPRING EXTENSION
44	2261708	WASHER-3/8X1/2X.010 SS [2.EA]	107	2301310	SCREW-8-18 X 1/2 SS [2.EA]	175	2262635	PIN ROLLER SS [2 EA.]
45	2236000	BEARING NYLINER- [2.EA]	108	2264052	CONTROL BOARD ASSEMBLY 24V MAX	176	2262667	PIN-KNURLED SS
46	2152610	SPRING-PIN LOCKBAR [2.EA]	109	2365107	INSULATING PAD 2.3 X 3.2	177	2262669	PIN-YOKE PIVOT SS
47	2233600	LOCK BAR- BOW MOUNT	111	2223455	SCREW, 10-32 X 1/2 [2.EA]	178	2262320	ROLLER YOKE [2 EA.]
48	2233602	LOCK BAR- REAR ZINC	112	2261220	WIRE HARNESS AT & MAX 82.5	179	2998431	CYLINDER/SHOCK BOOT ASSEMBLY
49	2152700	SPRING-LOCKBAR CAD.PLT	113	2267505	CABLE ASSEMBLY-RIGHT 5'	180	2262670	LATCH PIN STOP LEVER
50	2262703	SPRING STOP	114	2267515	CABLE ASSEMBLY-LEFT 5'	181	2262723	SPRING, MAXXUM PRO
51	2153604	EYE SHAFT-2LOCKBAR LG-PLTD	115	2265430	CABLE JACKET 5'	182	2301700	SPACER-RELEASE LEVER BRASS
52	2260506	HINGE-PIN HEADLESS ZINC	116	2265110	BOOT-CONTROL BOX	183	2332104	SCREW 1/4-20 X 5/8" SS
■	2772088	TUBE W/BEARING RACE ASSEMBLY 28.5"	117	2265115	BOOT-FOOT PEDAL BASE	200	2075120	URETHANE PAD
	2772086	TUBE W/BEARING RACE ASSEMBLY 24"	118	2372100	SCREW-8-18 X 5/8 THD SS [2.EA]			
54	2272088	TUBE OUTER 28.5" 62"	119	2261714	WASHER-MAXXUM PT PDL [2.EA]			
	2272086	TUBE OUTER 24" 48"-52"	120	2261901	BRACKET-CONDUIT AT/MAX			
55	2266260	BEARING RACE-(565T)	121	2263210	BRACKET-CONDUIT ADJUSTMENT			
57	2267307	BUSHING, OUTER TUBE	122	2262720	SPRING-CONDUIT AD			
■	2991763	BOWGUARD ASSEMBLY-FT CTRL,MAX 62	123	2263466	SCREW-1/4-20 X 2 STL PPH			
	2991762	BOWGUARD ASSEMBLY-FT CTRL,MAX 52	124	2261233	LEADWIRE VARIABLE			
58	2772319	BRACKET BASE TOP/EYELET ASSEMBLY	125	2020700	TERMINAL RING, 3/8 [2.EA]			
59	2771770	BRKT BOTTOM/BEARING FW ASSEMBLY 62	126	2256300	TIE WRAP-5.5 BLACK			
	2991771	BRKT BOTTOM/BEARING FW ASSEMBLY 52						

\*\* Seal & Oring Kit P/N 2889460 \* This item is part of an assembly. This item cannot be sold separately due to machining and /or assembly that is required.

