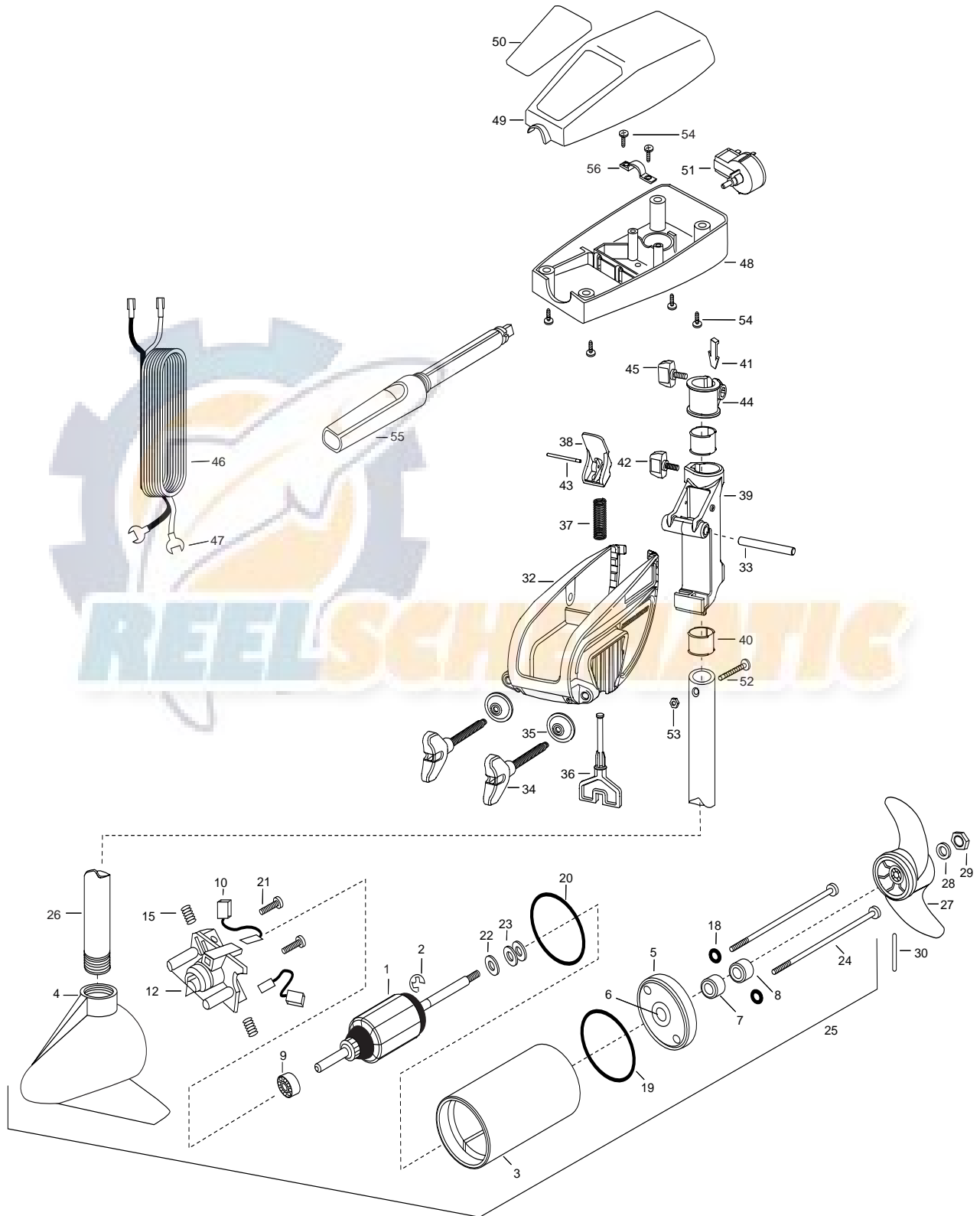


CLASSIC 28  
12 VOLT 35 AMPS  
28 LBS THRUST  
30" SHAFT

for use with "AG" serial numbers  
2-year warranty from the date of purchase



1	2-100-277	ARMATURE ASSEMBLY 12V 3.25				37	2062706	SPRING- T-BAR ENDURA
			21	830-001	SCREW SELF THREAD 8-32X1.7 [2.EA]	38	2067201	LEVER- TILT BLACK ENDURA
2	788-015	RETAINING RING				39	2061810	HINGE-PLASTIC
3	2-200-177	HOUSING ASSEMBLY CENTER 3.25 TXT	22	990-067	WASHER- STEEL	40	2037301	BUSHING-HINGE [2.EA]
4	2-300-142	HOUSING- BRUSH END	23	990-070	WASHER- NYLATRON [2.EA]	41	2062800	TENSION BLOCK- SNAP IN
5	2-400-127	PLAIN END HOUSING ASSEMBLY	24	830-076	THRU BOLT 8-32X8.0 [2.EA]	42	2011385	SCREW-TENSION/NEW KNOB
6	144-049	FLANGE BEARING	25	2069260	MOTOR ASSEMBLY 12V 3.25 5SPC TXT	43	2060515	PIN- TILT LEVER
7	880-003	**SEAL	26	2032045	TUBE (COMPOSITE) 30" 7/8	44	2061520	COLLAR-DEPTH ((ENDURA)
			■	1378121	PROP W/DRIVE PIN, WASHER, NUT KIT	45	2011365	SCREW-COLLAR/NEW KNOB
8	880-006	**SEAL W/SHIELD	27	2061122	PROPELLER 3.25 HUB DIA	46	2020606	LEADWIRE-14GA FLAG TERM.
			28	2151726	WASHER- 5/16 STD SS	47	2020703	SPADE TERMINAL - 14 AWG [2EA]
9	140-010	BEARING-BALL	29	2053101	NUT- NYLOC MED 5/16 SS	48	2062542	CONTROL BOX
10	188-052	BRUSH ASSEMBLY [2.EA]	30	2092600	PIN- DRIVE SS	49	2060255	CONTROL BOX COVER
12	738-030	BRUSH PLATE WITH HOLDER 3.25	■	2991815	BRACKET & HINGE ASSEMBLY BLACK KNOB	50	2035620	DECAL-COVER 28 CLASSIC TS
			■	2771910	BRACKET W/CLAMP SCREW ASSEMBLY	51	2064023	SWITCH-FWD/REV 5SP
15	975-032	SPRING COMPRESSION			(INCL.32,34,35)	52	2033400	SCREW-10-24 X 1-3/4
			*32	2061910	BRACKET PLASTIC	53	2013110	NUT-10-24 HEX
18	701-007	**O-RING [2.EA]	33	2060510	PIN-HINGE- ENDURA	54	2012100	SCREW-8-18 X 5/8 [6.EA]
			*34	2061300	SCREW- CLAMP	55	2030992	HANDLE ASSEMBLY CLASSIC 5 SPD
19	701-039	**O-RING MK406460	*35	2011710	WASHER- CLAMP SCREW 1.5OD	56	2010030	BEARING HANDLE CAP
			■	2881300	CLAMP SCREW, WASHER, RETAINER KIT			
20	701-041	**O-RING	36	2063605	T-BAR PLASTIC			

\*\* Seal & Oring Kit P/N 2883460

\* This item is part of an assembly. This item cannot be sold separately due to machining and /or assembly that is required.

P/N 2034955 REV.C 12-03

