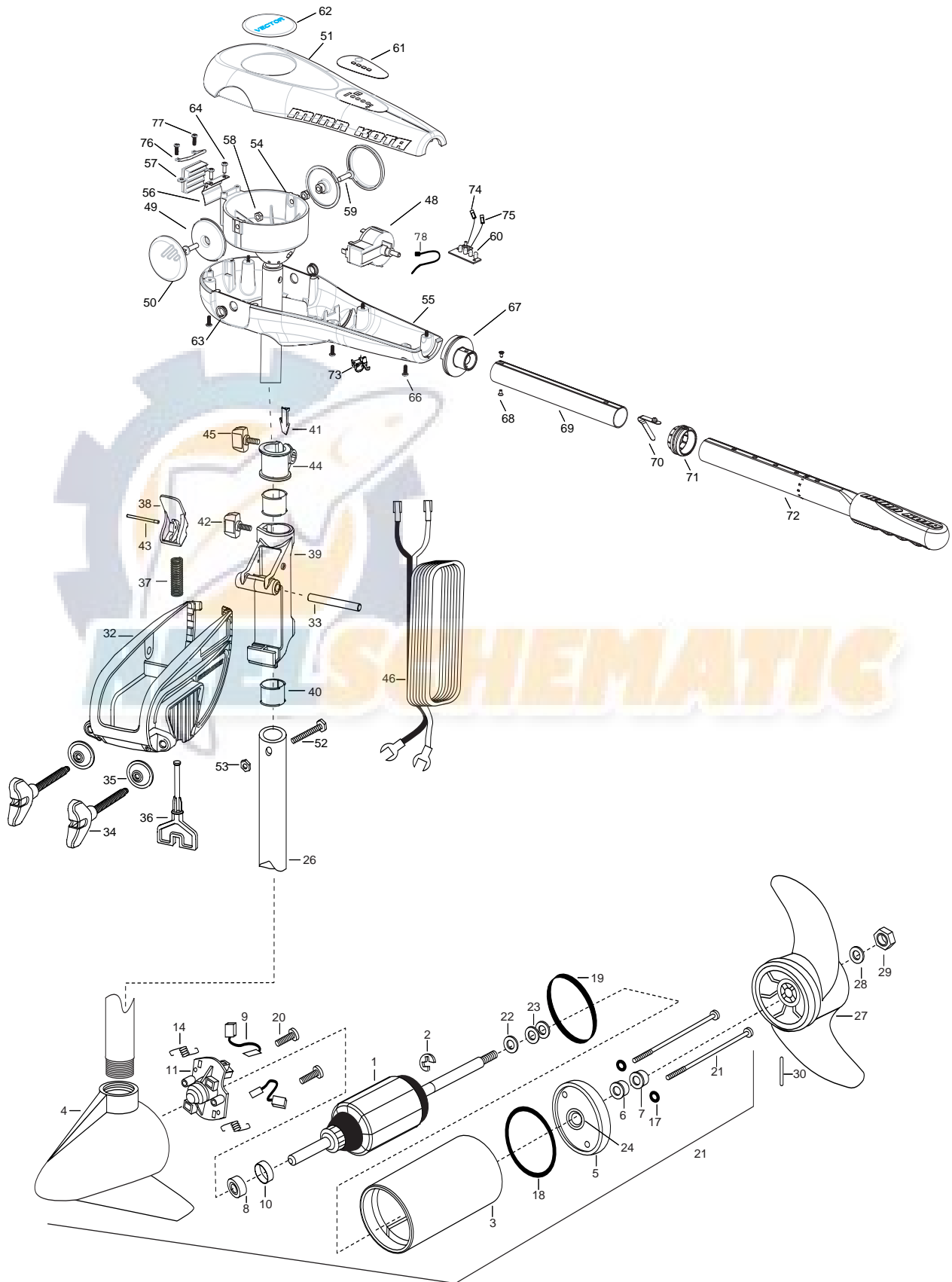


VECTOR 40
LEVER LOCK BRACKET
40LBS. THRUST
12 VOLT 42 AMPS
36" SHAFT

for use with "AG" serial numbers
2-year warranty from the date of purchase



1	2-100-278	ARMATURE ASSEMBLY 12V 3.25
2	788-015	RETAINING RING
3	2-200-079	CENTER HOUSING ASSEMBLY 3.25 TXT
4	2-300-132	BRUSH END HOUSING ASSEMBLY 3.25 SP.CO
5	2-400-127	HOUSING- PLAIN END ASSEMBLY
6	880-003	SEAL
7	880-006	SEAL W/SHIELD
8	140-010	BALL BEARING
9	188-052	BRUSH ASSEMBLY [2.EA]
10	725-033	BRUSH RETENTION- PAPER TUBE
11	738-030	BRUSH PLATE
14	975-032	SPRING- COMPRESSION
17	701-007	O-RING [2.EA]
18	701-039	O-RING MK406460
19	701-041	O-RING
20	830-001	SCREW- SELF THREAD 8-32X1.7 [2.EA]
21	830-078	THRU BOLT 8-32X8.96 [2.EA]
22	990-067	WASHER- STEEL
23	990-070	WASHER- NYLATRON [2.EA]
24	144-049	BEARING- FLANGE- SERVICE ONLY
25	2069241	MOTOR ASSEMBLY 12V 3.25 5SPC TXT
26	2032052	TUBE- COMPOSITE 36"
■	1378121	PROP KIT
27	2061125	PROP- POWER
28	2151726	WASHER- 5/15 STD SS
29	2053101	NUT-PROP NYLOC 5/16 SS
30	2092600	PIN-DRIVE SS
■	2991815	BRACKET & HINGE ASSEMBLY RED KNOB
■	2771910	BRACKET W/CLAMP SCREW ASSEMBLY (INCL.32,34,35)
*32	2061910	BRACKET PLASTIC
33	2060510	PIN-HINGE- ENDURA
*34	2061300	SCREW- CLAMP
*35	2011710	WASHER- CLAMP SCREW 1.5OD
■	2881300	CLAMP SCREW, WASHER, RETAINER KIT
36	2063605	T-BAR PLASTIC
37	2062706	SPRING- T-BAR ENDURA
38	2067201	LEVER- TILT BLACK
39	2061810	HINGE-PLASTIC

40	2037301	BUSHING-HINGE [2.EA]
41	2062800	TENSION BLOCK- SNAP IN
42	2011385	SCREW-TENSION/NEW KNOB
43	2060515	PIN- TILT LEVER
44	2061520	COLLAR-DEPTH ((ENDURA)
45	2011365	SCREW-COLLAR W/NEW KNOB
46	2050609	LEADWIRE 10 GA SPADE TERM
48	2064023	SWITCH - 5 SPD.
49	2070110	PIVOT KNOB [2 EA.]
50	2070115	COVER PIVOT KNOB [2 EA.]
51	2070211	CONTROL BOX COVER
52	2033401	SCREW 10-24 X 1-3/4"
53	2013110	NUT-HEX ZINC/CAD PLATE
54	2071520	YOKE PIVOT
55	2072501	CONTROL BOX
56	2072705	SPRING DETENT
57	2072810	DETENT BLOCK, TILT
58	2073100	NUT-1/4-20" NYLOC [2 EA.]
59	2073408	SCREW 1/4-20 [2 EA.]
60	2074070	BATTERY METER
61	2075600	DECAL-COVER 40T VECTOR
62	2075605	DECAL-COVER PLUG
63	2077316	BUSHING PIVOT [2 EA.]
64	2372100	SCREW 8-18 X 1/2" [2 EA.]
66	2012100	SCREW 8-18 X 5/8" [6 EA.]
67	2070407	PIVOT HANDLE
68	2072102	SCREW #6 X 1/4"
69	2070425	HANDLE TUBE
70	2070411	LATCH-BUTTON
71	2070010	BEARING
72	2990941A	HANDLE ASSEMBLY-EXT.
73	2052900	STRAIN RELIEF
74	2070304	WIRE BATTERY METER BLACK
75	2070305	WIRE BATTERY METER RED
76	2072815	BRACKET - TILT STOP
77	2332101	SCREW #8-32 X 1/2" SS [2 EA.]
78	2256300	TIE WRAP

