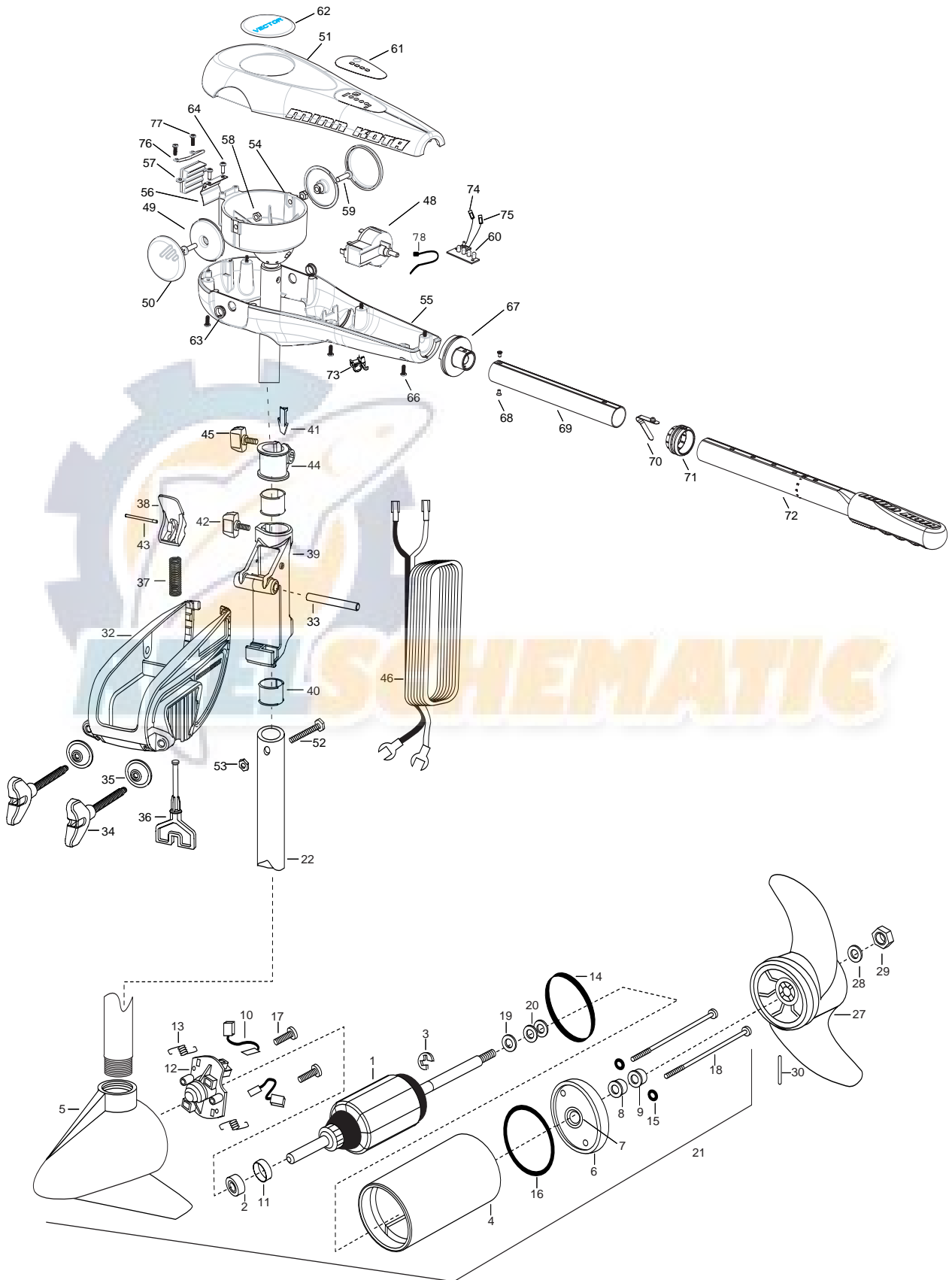


VECTOR 46  
LEVER LOCK BRACKET  
46LBS. THRUST  
12 VOLT 42 AMPS  
36" & 42" SHAFT

for use with "AG" serial numbers  
2-year warranty from the date of purchase



|     |           |  |    |          |                               |
|-----|-----------|--|----|----------|-------------------------------|
| 1   | 2-100-116 | ARMATURE ASSEMBLY 12V 3.625 5SPC 55#           | 40 | 2037301  | BUSHING-HINGE [2.EA]          |
| 2   | 788-015   | RETAINING RING                                 | 41 | 2062800  | TENSION BLOCK- SNAP IN        |
| 3   | 140-010   | BALL BEARING                                   | 42 | 2011385  | SCREW-TENSION/NEW KNOB        |
| 4   | 2-200-101 | CENTER HOUSING ASSEMBLY 3.625 FW TXT           | 43 | 2060515  | PIN- TILT LEVER               |
| 5   | 2-300-196 | BRUSH END HOUSING ASSEMBLY 3.62 SPCO           | 44 | 2061520  | COLLAR-DEPTH ((ENDURA)        |
| 6   | 2-400-101 | PLAIN END HOUSING ASSEMBLY                     | 45 | 2011365  | SCREW-COLLAR W/NEW KNOB       |
| 7   | 144-049   | BEARING - FLANGE (SERVICE ONLY)                | 46 | 2050609  | LEADWIRE 10 GA SPADE TERM     |
| 8   | 880-003   | **SEAL   | 48 | 2064023  | SWITCH - 5 SPD.               |
| 9   | 880-006   | **SEAL WITH SHIELD                             | 49 | 2070110  | PIVOT KNOB [2 EA.]            |
| 10  | 188-036   | BRUSH ASSEMBLY [2.EA]                          | 50 | 2070115  | COVER PIVOT KNOB [2 EA.]      |
| 11  | 725-050   | BRUSH RETENTION- PAPER TUBE                    | 51 | 2070211  | CONTROL BOX COVER             |
| 12  | 738-036   | BRUSH PLATE W/HOLDER                           | 52 | 2033401  | SCREW 10-24 X 1-3/4"          |
| 13  | 975-040   | SPRING - TORSION [2.EA]                        | 53 | 2013110  | NUT-HEX ZINC/CAD PLATE        |
| 14  | 337-036   | **GASKET                                       | 54 | 2071520  | YOKE PIVOT                    |
| 15  | 701-008   | **O-RING, THRU-BOLT [2.EA]                     | 55 | 2072501  | CONTROL BOX                   |
| 16  | 701-081   | **O-RING                                       | 56 | 2072705  | SPRING DETENT                 |
| 17  | 830-007   | SCREW-8-32 [2.EA]                              | 57 | 2072810  | DETENT BLOCK, TILT            |
| 18  | 830-042   | THRU-BOLT 10-32X8.83" [2.EA]                   | 58 | 2073100  | NUT- 1/4-20 NYLOC [2 EA.]     |
| 19  | 990-067   | WASHER- STEEL THRUST                           | 59 | 2073408  | SCREW 1/4-20 [2 EA.]          |
| 20  | 990-070   | WASHER - NYLATRON [2.EA]                       | 60 | 2074070  | BATTERY METER                 |
| 21  | 2097062   | MOTOR ASSEMBLY 12V 3.62 5 SPD F/W              | 61 | 2075601  | DECAL-COVER 46T VECTOR        |
| 22  | 2032052   | TUBE- COMPOSITE 36"                            | 62 | 2075605  | DECAL-COVER PLUG              |
|     | 2032053   | TUBE- COMPOSITE 42"                            | 63 | 2077316  | BUSHING PIVOT                 |
| ■   | 1378131   | PROP KIT                                       | 64 | 2372100  | SCREW 8-18 X 1/2" [2 EA.]     |
| 27  | 2091160   | PROP- WEEDLESS WEDGE 2                         | 66 | 2012100  | SCREW 8-18 X 5/8" [6 EA.]     |
| 28  | 2151726   | WASHER- 5/15 STD SS                            | 67 | 2070407  | PIVOT HANDLE                  |
| 29  | 2053101   | NUT-PROP NYLOC 5/16 SS                         | 68 | 2072102  | SCREW #6 X 1/4"               |
| 30  | 2092600   | PIN-DRIVE SS                                   | 69 | 2070425  | HANDLE TUBE                   |
| ■   | 2991815   | BRACKET & HINGE ASSEMBLY RED KNOB              | 70 | 2070411  | LATCH-BUTTON                  |
| ■   | 2771910   | BRACKET W/CLAMP SCREW ASSEMBLY (INCL.32,34,35) | 71 | 2070010  | BEARING                       |
| *32 | 2061910   | BRACKET PLASTIC                                | 72 | 2990941A | HANDLE ASSEMBLY-EXT.          |
| 33  | 2060510   | PIN-HINGE- ENDURA                              | 73 | 2052900  | STRAIN RELIEF                 |
| *34 | 2061300   | SCREW- CLAMP                                   | 74 | 2070304  | WIRE BATTERY METER BLACK      |
| *35 | 2011710   | WASHER- CLAMP SCREW 1.50D                      | 75 | 2070305  | WIRE BATTERY METER RED        |
| ■   | 2881300   | CLAMP SCREW, WASHER, RETAINER KIT              | 76 | 2072815  | BRACKET- TILT STOP            |
| 36  | 2063605   | T-BAR PLASTIC                                  | 77 | 2332101  | SCREW #8-32 X 1/2" SS [2 EA.] |
| 37  | 2062706   | SPRING- T-BAR ENDURA                           | 78 | 2256300  | TIE WRAP                      |
| 38  | 2067201   | LEVER- TILT BLACK                              |    |          |                               |
| 39  | 2061810   | HINGE-PLASTIC                                  |    |          |                               |

\*\* Seal & Oring Kit P/N 2888460

\* This item is part of an assembly. This item cannot be sold separately due to machining and /or assembly that is required. P/N 2074944 REV. C 10-04

