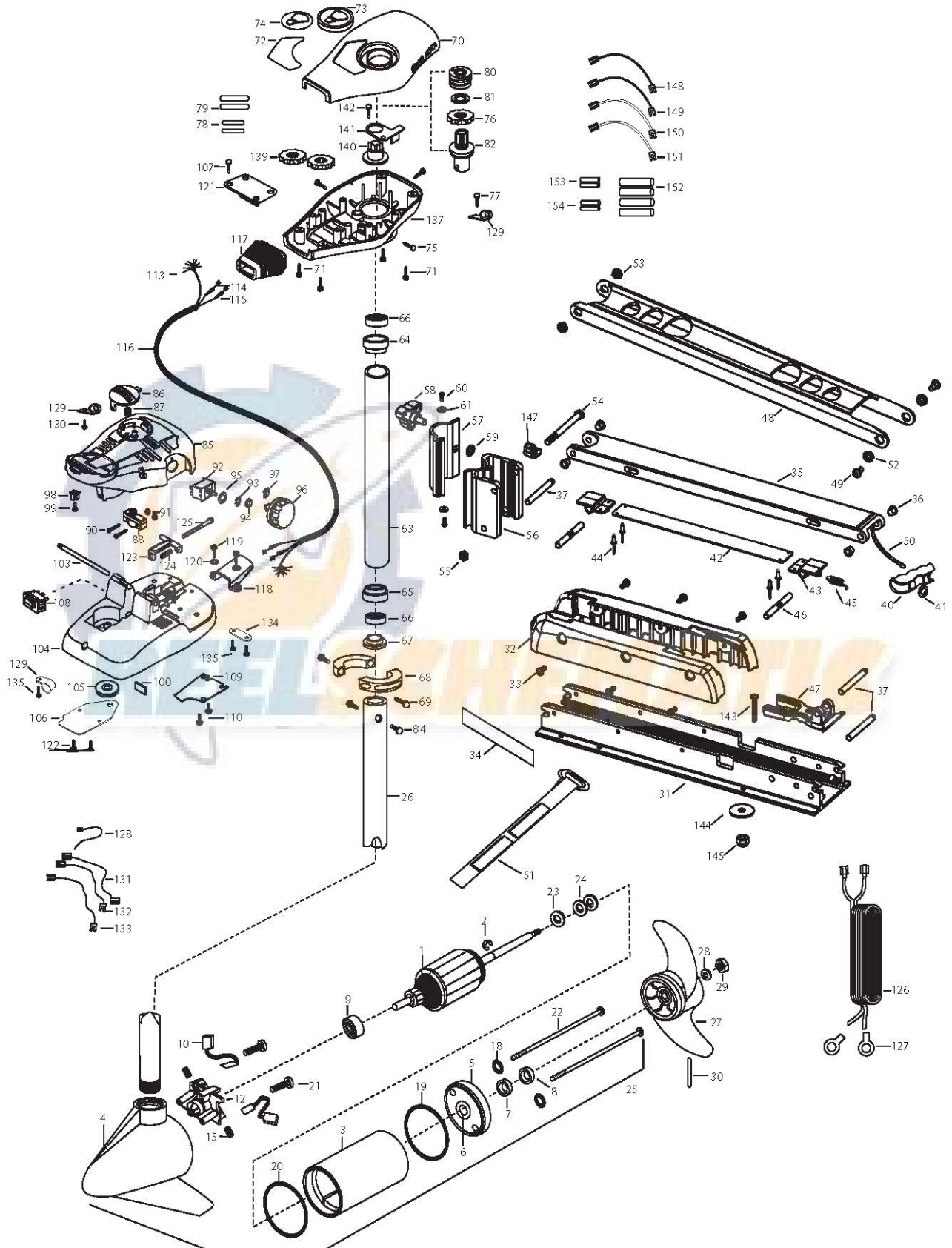


EDGE 40 / FC
40 LBS THRUST
12 VOLT 42 AMPS
36"/45"/50" SHAFT

for use with "AG" serial numbers
2-year warranty from the date of purchase



1	2-100-201	ARM ASSEMBLY 12V 3.25	48	2264267	ARM-UPPER, FW, LONG, 50"	97	2263000	E-RING TRU-ARC
2	788-015	RETAINING RING		2264262	ARM-UPPER, FW, STD, 45"	98	2260730	CONNECTOR 1/4 MALE TAB
3	2-200-079	HOUSING ASSEMBLY CENTER 3.25 TXT	49	2263510	BOLT-SHOULDER, SS [2 EA.]	99	2332103	SCREW-6-20 X 3/8
4	2-300-134	HOUSING-ASSEMBLY BRUSH END 3.25 SP.CO	50	2251601	ROPE- 44.5" (36"/45" MODELS)	100	2266413	TENSION SCREW PLATE FT PEDL
	2-300-132	HOUSING-ASSEMBLY BRUSH END 3.25 SP.CO		2251603	ROPE- 48" (50" MODEL)	103	2260511	PIN-PIVOT A/T FT PDL
5	2-400-128	PLAIN END HOUSING ASSEMBLY	51	2263805	VELCRO STRAP	104	2992104	FT PEDAL BASE/PIN ASSEMBLY SONAR
6	144-049	BEARING- FLANGE [SERVICE ONLY]	52	2267302	BUSHING-LOWER 7/16" ID, SS	105	2262301	PULLEY- FOOT PEDAL
7	880-003	**SEAL	53	2267303	BUSHING-UPPER 3/8" ID, SS	106	2266401	COVER-PULLEY STAMPING
8	880-006	**SEAL WITH SHIELD	54	2263505	BOLT 3/8-16 X 4.25"	107	2223430	SCREW-#8X 3/4 PPH TYPE 25 SS [4.EA]
9	140-010	BEARING -BALL	55	2263114	NUT-NYLOCK JAM 3/8-16	108	2254031	SWITCH-MOM/OFF/COM
10	188-052	BRUSH ASSEMBLY [2.EA.]	56	2261872	HINGE BASE, FW	109	2266412	SWITCH PLATE, FT PEDAL
12	738-030	BRUSH PLATE W/HOLDER 3.25	57	2261877	HINGE DOOR, FW	110	2332103	SCREW-6-20 X 3/8 THD [2.EA]
15	975-032	SPRING- COMPRESSION [2.EA]	58	2260900	HANDLE-SOFT GRIP, L&D	113	2261208	WIRE HARNESS, A/T FT. PED
18	701-007	**O-RING [2. EA]	59	2261728	WASHER-RETAINING 3/8"	114	2267505	CABLE ASSEMBLY-RIGHT 5'
19	701-039	**O-RING MK406460	60	2053415	SCREW #8-32 X 3/8" TRI [2 EA.]	115	2267515	CABLE ASSEMBLY-LEFT 5'
20	701-041	**O-RING	61	2261732	WASHER #8, NYLON [2 EA.]	116	2265430	CABLE JACKET 5'
21	830-001	SCREW- SELF-THREAD 8-32X1.7 [2.EA.]	■	2992015	TUBE W/BEARING RACE ASSEMBLY 18"	117	2265110	BOOT-CONTROL BOX
22	830-078	THRU BOLT 8-32 X 8.96 [2.EA]		2992012	TUBE W/BEARING RACE ASSEMBLY 21"	118	2265115	BOOT-FOOT PEDAL BASE
23	990-067	WASHER- STEEL THRUST		2992016	TUBE W/BEARING RACE ASSEMBLY 24"	119	2372100	SCREW-8-18 X 5/8 THD [2.EA]
24	990-070	WASHER- NYLATRON [2.EA]	63	2272066	TUBE OUTER-18" 4 HOLES	120	2261714	WASHER-MAXXUM FT PDL [2.EA]
25	2068252	MTR ASSEMBLY 12V 3.25 5SPD 45"/50"		2272069	TUBE OUTER-21" 4 HOLES	121	2261901	BRACKET-CONDUIT AT/MAX
	2068250	MTR ASSEMBLY 12V 3.25 5SPD 36"		2272067	TUBE OUTER -24" 4 HOLES	122	2223430	SCREW-8-18 X 3/4" [4.EA]
26	2032062	TUBE (COMP)W/CSK HOLE 36"	64	2266260	BEARING RACE	123	2263210	BRACKET- CONDUIT ADJUSTMENT
	2032063	TUBE (COMP)W/CSK HOLE 42"	65	2266220	BEARING RACE-STEEL	124	2262720	SPRING-CONDUIT ADJUSTMENT
	2032061	TUBE (COMP)W/CSK HOLE 45"	66	2266000	BEARING BALL-STEEL [2.EA]	125	2263466	SCREW-1/4-20 X 2 STL PPH
	2032059	TUBE (COMP)W/CSK HOLE 50"	67	2266115	BEARING CONE	126	2261235	LEADWIRE-BATTERY
■	1378126	PROPELLER KIT	68	2261622	COLLAR HALF-ALUMINUM- [2.EA]	127	2020700	TERMINAL RING, 3/8" [2.EA]
27	2061125	PROPELLER W/WEDGE	69	2263453	SCREW-1/4X20 X 1" SHCS SS [2. A]	128	2256300	TIE WRAP-5.5" BLACK
28	2151726	WASHER- 5/16 SS	70	2260286	COVER-CTR BOX EDGE/FC BLK	129	2263201	CLAMP WIRE HARNESS MICRO [3 EA.]
29	2053101	NUT-PROP NYLOC	71	2372100	SCREW-8-18 X 5/8 THD [4.EA]	130	2332103	SCREW-6-20 X 3/8 THD
30	2092600	PIN-DRIVE SS	72	2265671	DECAL-COVER EDGE 40/FC	131	2260301	CONNECTING WIRE -SWITCH
31	2266507	BOWPLATE, FW, LONG, 50"	73	2260150	POINTER DISC TRNSLCNT RED	132	2260312	WIRE,BLK W/WHT- 19 1/2
	2266502	BOWPLATE, FW, STD, 45"	74	2265800	DECAL-INDICATOR	133	2260322	WIRE,BLK W/BLUE -12"
32	2263905	MOTOR REST, BLK.	75	2053414	SCREW-8-32 X 1/2 TRI LOBE [3. EA]	134	2263205	LEADWIRE CLAMP
33	2303430	SCREW 1/4-20 X 5/8 [6 EA.]	76	2267800	GEAR-INDICATOR	135	9953104	SCREW-8 X 1/2" SS
34	2265667	MOTOR REST DECAL, FW [2 EA.]	77	2301310	SCREW-8-18 X 1/2 SS	137	2262535	CONTROL BOX-PLASTIC
■	2991702	BOWMOUNT FW ASSEMBLY, LONG	78	2375400	SHRINK TUBE-1/4OD X 1-3/4 [2. EA]	139	2267800	GEAR-INDICATOR [2.EA]
	2991700	BOWMOUNT FW ASSEMBLY, STD.	79	2355410	SHRINK TUBE-3/8 OD X 2 [2. EA]	140	2262220	INDICATOR-DRIVE
35	2264347	LOWER ARM, FW, LONG	80	2232360	PULLEY-CABLE DRUM	141	2261905	BRACKET/INDICATOR
	2264342	LOWER ARM, FW, STD.	81	2261730	WASHER-NYLON A/T	142	2372100	SCREW-8-18 X 5/8 (SS)
36	2266002	NYLINER 3/8" SHAFT [4 EA.]	82	2996246	BEARING RACE/ PINION ASSEMBLY	■	2994838	BAG ASSEMBLY
37	2260503	PIVOT PIN [3 EA.]	84	2263410	SCREW-8-32 X 5/16 ZN PL [2.EA]	*143	2263462	SCREW 1/4-20X2 SS [6.EA]
40	2150400	PULL-GRIP	85	2790002	FOOT PEDAL/PLUG ASSEMBLY AT	*144	2261713	WASHER-1/4 FLAT 18-18 [6.EA]
41	2151700	WASHER-EYE SHAFT .562 OD	86	2263702	PUSH-BUTTON FOOT PEDAL W/MAGNET	*145	2263103	NUT- 1/4-20 NYLOC-JAM [6.EA]
■	2993812	LATCH STRAP ASSEMBLY, LONG, 50"	87	2302732	SPRING-LOWER PEDAL SS	147	2262310	GUIDE ROPE
	2993811	LATCH STRAP ASSEMBLY, STD, 45"	88	2264040	SWITCH MOMENTARY	148	2030316	WIRE EXT. 10 GA. 18" BLACK
42	2263607	LATCH STRAP, LONG, 50"	90	2262114	SCREW-MOUNTING/SWITCH [2.EA]	149	2030317	WIRE EXT. 10 GA. 18" RED
	2263605	LATCH STRAP, STD, 45"	91	2233100	NUT-SWITCH MOUNT [2.EA]	150	2030312	WIRE EXT. 16 GA. 18" WHITE
43	2261902	BRACKET-LATCH [2 EA.]	92	2264026	SWITCH-S SPEED	151	2030313	WIRE EXT. 16 GA. 18" YELLOW
44	2268602	RIVET 1/8" SS [4 EA.]	93	2261701	LOCKWASHER-STAR	152	2375400	SHRINK TUBING 1/4" X 1" [4 EA.]
45	2262709	SPRING-LATCH PIN	94	2263105	NUT-HEX	153	2030710	BUTT CONNECTOR LARGE [2 EA.]
46	2260501	LATCH PIN [2 EA.]	95	2261715	SPACER-SWITCH 5 SP MODELS	154	2030711	BUTT CONNECTOR SMALL [2 EA.]
47	2261544	YOKE-TUBE	96	2260170	KNOB-SPEED CONTROL 5SPD			

** Seal & Oring Kit P/N 2883460

P/N 2274976 REL A 8-05

