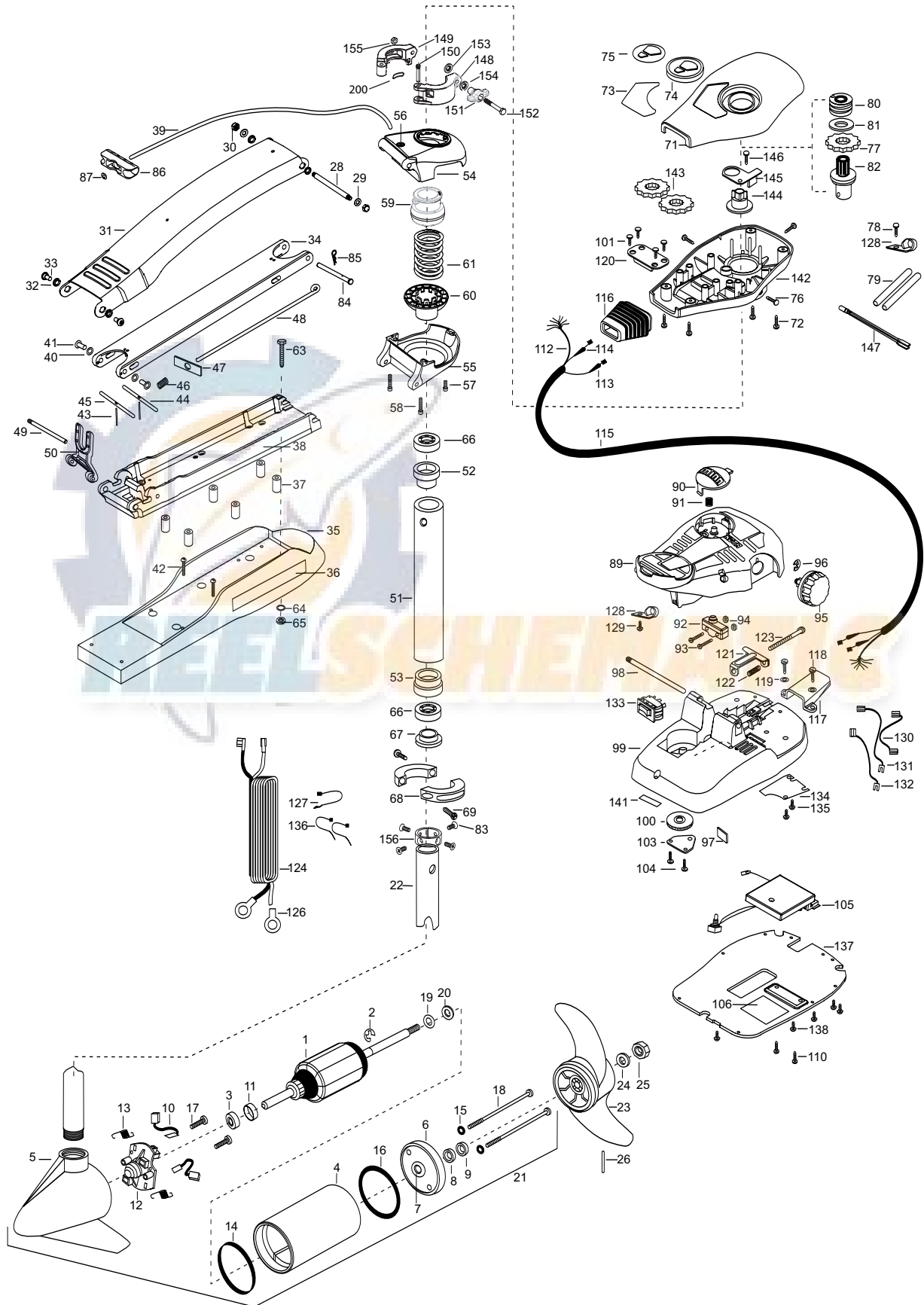


**MAXXUM 55 FC**  
55 lbs Thrust  
12 Volt 50 Amps  
42" SHAFT

for use with "AG" serial numbers  
3-year warranty from the date of purchase



|    |           |  |     |         |                                     |     |         |                                  |
|----|-----------|--|-----|---------|-------------------------------------|-----|---------|----------------------------------|
| 1  | 2-100-115 | ARMATURE ASSEMBLY 12V 3.62 FW SW                               | ■   | 2772012 | TUBE W/BEARING RACE ASSEMBLY        | 104 | 2301310 | SCREW- 8-18 X 1/2 [4.EA]         |
| 2  | 788-015   | RETAINING RING   | 51  | 2272069 | TUBE OUTER-21" 4 HOLES              | 105 | 2264036 | CONTROL BOARD ASSEMBLY 12V MAX44 |
| 3  | 140-010   | BALL BEARING   | 52  | 2266260 | BEARING RACE                        | 106 | 2365107 | INSULATING PAD (2.3X3.2)         |
| 4  | 431-101   | CENTER HOUSING ASSEMBLY 3.62 FW TXT                            | 53  | 2266220 | BEARING RACE- STEEL                 | 110 | 2263447 | SCREW- 8-32 X 1" [2.EA]          |
| 5  | 421-065   | HOUSING BRUSH END 3.62 TXT                                     | ■   | 2991762 | BOWGUARD ASSEMBLY- FT CTRL,FW       | 112 | 2261219 | WIRE HARNESS AT & MAX            |
| 6  | 2-400-101 | PLAIN END HOUSING ASSEMBLY                                     | 54  | 2772319 | BRACKET BASE TOP/EYELET ASSEMBLY    | 113 | 2267505 | CABLE ASSEMBLY- RIGHT (5')       |
| 7  | 144-049   | BEARING - FLANGE (SERVICE CENTER ONLY)                         | *55 | 2991771 | BRKT BOTTOM/BEARING FW ASSEMBLY     | 114 | 2267515 | CABLE ASSEMBLY- LEFT (5')        |
| 8  | 880-003   | **SEAL   | 56  | 2772352 | EYELET- KIT                         | 115 | 2265430 | CABLE JACKET (5')                |
| 9  | 880-006   | **SEAL WITH SHIELD   | 57  | 2263423 | SCREW 5/16-18 X 1" SHCS ZINC        | 116 | 2265110 | BOOT- CONTROL BOX                |
| 10 | 188-036   | BRUSH ASSEMBLY [2.EA]  | 58  | 2263425 | SCREW 5/16-18 X 2 1/2 SCHS [2.EA]   | 117 | 2265115 | BOOT- FOOT PEDAL BASE            |
| 11 | 725-050   | BRUSH RETENTION- PAPER TUBE                                    | 59  | 2071541 | SPRING SLEEVE- UPPER                | 118 | 2372100 | SCREW- 8-18X5/8 THD [2.EA]       |
| 12 | 738-036   | BRUSH PLATE W/HOLDER   | 60  | 2071535 | SPRING SLEEVE- LOWER                | 119 | 2261714 | WASHER- MAXXUM FT PDL [2.EA]     |
| 13 | 975-040   | SPRING - TORSION [2.EA]  | 61  | 2262706 | SPRING- BOWGUARD, NIK PL            | 120 | 2261901 | BRACKET- CONDUIT                 |
| 14 | 337-036   | **GASKET   | ■   | 2994830 | BAG ASSEMBLY- MAXXUM                | 121 | 2263210 | BRACKET- CONDUIT ADJUST          |
| 15 | 701-008   | **O-RING, THRU-BOLT [2.EA]                                     | *63 | 2263431 | SCREW- 1/4-20 X 3.5 PPH [6.EA]      | 122 | 2262720 | SPRING- CONDUIT ADJUST           |
| 16 | 701-081   | **O-RING   | *64 | 2261713 | WASHER- 1/4 FLAT S/S [6.EA]         | 123 | 2263463 | SCREW- 1/4-20X2" STL PPH         |
| 17 | 830-007   | SCREW-8-32 [2.EA]  | *65 | 2263103 | NUT- 1/4-20 NYLOCK-JAM SS [6.EA]    | 124 | 2261227 | LEADWIRE- A/T VARIABLE           |
| 18 | 830-042   | THRU-BOLT 10-32X8.83 [2.EA]                                    | 66  | 2266000 | BEARING BALL- STEEL [2.EA]          | 126 | 2020700 | TERMINAL RING- 3/8" [2.EA]       |
| 19 | 990-067   | WASHER- STEEL THRUST   | *67 | 2266115 | BEARING CONE                        | 127 | 2256300 | TIE WRAP- 5.5' BLACK             |
| 20 | 990-070   | WASHER- NYLATRON [2.EA]  | *68 | 2261619 | COLLAR HALF- ZINC [2.EA]            | 128 | 2263201 | CLAMP WIRE HARNESS MICRO [2.EA]  |
| 21 | 2097094   | MOTOR ASSEMBLY 12V FW VARS 55#                                 | *69 | 2263452 | SCREW- 1/4-20X3/4 [2.EA]            | 129 | 2332103 | SCREW- 6-20X3/8 THD (SS)         |
| 22 | 2032003   | TUBE- COMPOSITE 4 HOLE 42"                                     | 71  | 2260283 | CONTROL BOX COVER- MAXXUM           | 130 | 2260316 | CONNECTING WIRE (VAR.SPD)        |
| ■  | 1378131   | PROPELLER KIT  | 72  | 2372100 | SCREW- 8-18 X 5/8 THD [4.EA]        | 131 | 2260312 | WIRE- BLK W/WHT STRP 19 -1/4"    |
| 23 | 2091160   | PROPELLER W.WEDGE 2  | 73  | 2265656 | DECAL- COVER MAX 55/FC              | 132 | 2260323 | WIRE- BLK W/GRN STP VARIABLE     |
| 24 | 2151726   | WASHER-5/16 SS   | 74  | 2260150 | POINTER DISC TRNSLCNT RED           | 133 | 2254031 | SWITCH- MOM/OFF/CON              |
| 25 | 2053101   | NUT-PROP NYLOC   | 75  | 2265800 | DECAL- INDICATOR                    | 134 | 2266412 | SWITCH PLATE- FT PEDAL           |
| 26 | 2092600   | PIN-DRIVE  | 76  | 2053414 | SCREW- 8-32 X 1/2 TRI-LOBE [3. EA]  | 135 | 2332103 | SCREW- 6-20X3/8 THD SS [2.EA]    |
| 28 | 2262605   | PIN- BWGRD UPPER THREADED ZP                                   | 77  | 2267800 | GEAR- INDICATOR                     | 136 | 2256301 | TIE WRAP- 5.5" WHITE [2.EA]      |
| 29 | 2261722   | WASHER- FLAT [2.EA]  | 78  | 2301310 | SCREW- 8-18 X 1/2                   | 137 | 2774512 | BOTTOM PLATE- MAX FOOT PEDAL     |
| 30 | 2223100   | NUT- TENSION 5/16-18 SS [2.EA]                                 | 79  | 2355410 | SHRINK TUBE- 3/8 OD X 2" [2.EA]     | 138 | 9953104 | SCREW-8 X 1/2" (SS) [5.EA]       |
| ■  | 2991840   | MOUNT- BOW ASSY, W/O BGRD, STD FW                              | 80  | 2232360 | PULLEY- CABLE DRUM                  | 141 | 2266610 | DECAL- ON/OFF SWITCH             |
| 31 | 2264241   | ARM-UPPER STD FW   | 81  | 2261730 | WASHER- NYLON A/T CON               | 142 | 2262535 | CONTROL BOX- PLASTIC             |
| 32 | 2293501   | BUSHING- STAINLESS STEEL [4.EA]                                | 82  | 2996247 | TOP BEARING RACE /PINION DRIVE      | 143 | 2267800 | GEAR- INDICATOR [2.EA]           |
| 33 | 2263500   | BOLT- SHOULDER MAXXUM [2.EA]                                   | 83  | 2223468 | SCREW- 8-32 X 7/16 [7.EA]           | 144 | 2262220 | INDICATOR- DRIVE                 |
| 34 | 2994307   | ARM-LOWER ASSEMBLY,STD,FW,EXTRA<br>[INCLUDES 39, 43-47, 86,87] | 84  | 2262607 | PIN- CLEVIS ZP MAXXUM BWGRD         | 145 | 2261905 | BRACKET/INDICATOR                |
|    |           |  | 85  | 2260805 | CLIP- SPRING ZP MAX BG              | 146 | 2301310 | SCREW- 8-18X1/2"                 |
| 35 | 2263912   | MOTOR REST (STD) FW  | 86  | 2150400 | PULL- GRIP                          | 147 | 2264015 | LIGHT/INDICATOR                  |
| 36 | 2265514   | DECAL- MAXXUM MOTOR REST [2.EA]                                | 87  | 2151700 | WASHER- EYE SHAFT(.562 OD)          | ■   | 2991550 | CLAMP COLLAR ASSEMBLY            |
| 37 | 2261505   | SPACER- MOTOR REST [6.EA]                                      | 89  | 2790002 | FOOT PEDAL/PLUG ASSEMBLY            | 148 | 2071550 | CLAMP COLLAR "A"                 |
| 38 | 2773987   | BOWPLATE- W/INSERT   | 90  | 2263700 | PUSH- BUTTON FOOT PEDAL             | 149 | 2071555 | CLAMP COLLAR "B"                 |
| 39 | 2251601   | ROPE (40"), MAXXUM MOUNT                                       | 91  | 2302732 | SPRING- LOWER PEDAL                 | 150 | 2072621 | PIN-KNURLED                      |
| 40 | 2261708   | WASHER- 3/8X1/2X.010 SS [2.EA]                                 | 92  | 2264023 | SWITCH- SEALED ASSEMBLY             | 151 | 2070120 | KNOB-CLAMP COLLAR                |
| 41 | 2236000   | BEARING NYLINER [2.EA]   | 93  | 2262114 | SCREW- MOUNTING/SWITCH [2.EA]       | 152 | 2073412 | SCREW 1/4-28 X 2 3/4" SS         |
| 42 | 2263434   | SCREW, 8-18X1" PPH [2.EA]                                      | 94  | 2233100 | NUT- SWITCH MOUNT [2.EA]            | 153 | 2071718 | WASHER #10 NYLON RETAINING       |
| 43 | 2152610   | SPRING- PIN LOCKBAR [2.EA]                                     | 95  | 2260160 | KNOB- SPEED CONTROL (VAR)           | 154 | 2071716 | WASHER - FLAT SS                 |
| 44 | 2233600   | LOCK BAR- BOW MOUNT  | 96  | 2263000 | E-RING THU-ARC                      | 155 | 2073102 | NUT - HEX 1/4 - 28 SS            |
| 45 | 2233602   | LOCK BAR REAR - ZINC   | 97  | 2266413 | TENSION SCREW PLATE FTPEDAL         | 156 | 2071560 | SPLIT COLLAR                     |
| 46 | 2152700   | SPRING- LOCKBAR CAD.PLTD                                       | *98 | 2260511 | PIN- PIVOT A/T FT PDL               | 200 | 2075120 | URETHANE PAD                     |
| 47 | 2262703   | SPRING STOP- MAXXUM  | 99  | 2992102 | FT PEDAL BASE/PIN ASSEMBLY          |     |         |                                  |
| 48 | 2153602   | EYE SHAFT- 2LOCKBAR STD  | 100 | 2262301 | PULLEY- FOOT PEDAL                  |     |         |                                  |
| 49 | 2260506   | HINGE-PIN HEADLESS ZINC  | 101 | 2223430 | SCREW- #8X3/4 PPH TYPE 25 SS [4.EA] |     |         |                                  |
| 50 | 2293811   | YOKE- MAXXUM MOUNT,POLYPROPYLENE                               | 103 | 2266400 | COVER- PULLEY                       |     |         |                                  |

\*\* Seal & Oring Kit P/N 2888460 \* This item is part of an assembly. This item cannot be sold separately due to machining and /or assembly that is required.

P/N 2274959 REV. D 5-05

