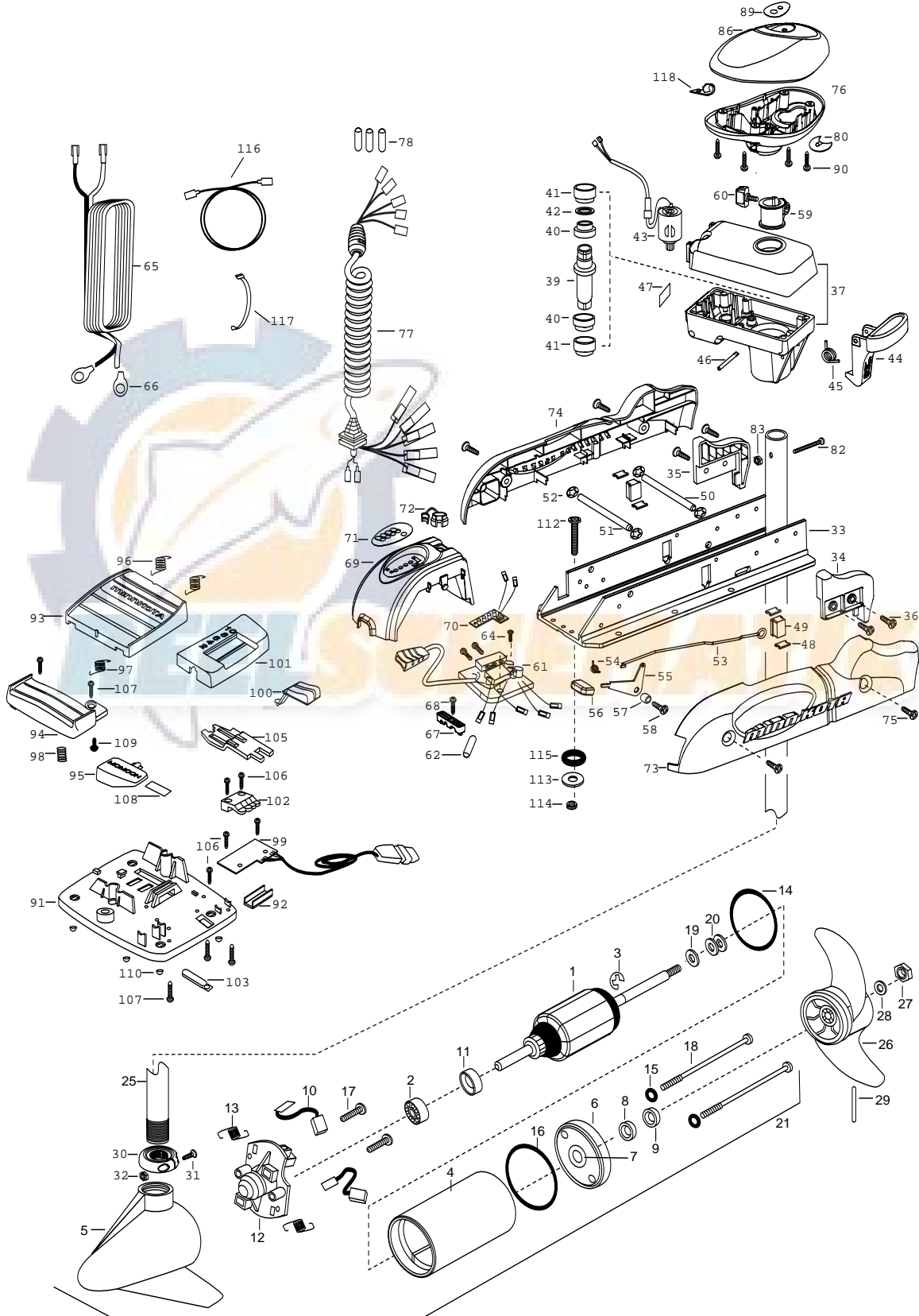


70PD  
70 LBS THRUST  
24 VOLT 42 AMPS  
54" OR 60" SHAFT

for use with "AG" serial numbers  
plain PD models have a 2-year warranty from the date of purchase  
Universal Sonar models have a 3-year warranty from the date of purchase



|    |           |                                  |     |         |                                |      |         |                                  |
|----|-----------|----------------------------------|-----|---------|--------------------------------|------|---------|----------------------------------|
| 1  | 2-100-119 | ARMATURE ASSEMBLY                | ■   | 2882011 | BUSHING/ OUTSHAFT KIT          | 77   | 2991280 | COIL CORD WSTRAIN RELIEF 54"     |
| 2  | 140-010   | BALL BEARING                     |     |         | (INCLUDES 39-42)               |      | 2991282 | COIL CORD WSTRAIN RELIEF 60"     |
| 3  | 788-015   | RETAINING RING                   | *39 | 2302010 | DRIVE HOUSING OUTPUT SHAFT     | 78   | 2065400 | WIRE INSULATOR-LGE 1-3/4 [3.EA]  |
| 4  | 2-200-005 | CENTER HOUSING ASSEMBLY          | *40 | 2307304 | BUSHING- INNER [2.EA]          | 80   | 2224700 | INSERT- PLUG                     |
| 5  | 421-065   | HOUSING BRUSH END 3.62 TXT       | *41 | 2307305 | BUSHING- OUTER [2.EA]          | 82   | 2033400 | SCREW-10-24 X 1-3/4              |
|    | 9421-166  | HOUSING BRUSH END 3.62 SONAR     | *42 | 2304603 | O-RING                         | 83   | 2013110 | NUT-HEX 10-24 NYLOC              |
| 6  | 2-400-101 | PLAIN END HOUSING ASSEMBLY       | 43  | 2307045 | MOTOR- DRIVE HOUSING HIGH SPD  | 86   | 2300235 | CONTROL BOX COVER- POWERDRIVE    |
| 7  | 144-049   | BEARING - FLANGE (SERVICE ONLY)  | 44  | 2307205 | LATCH HANDLE PD/AP             | 89   | 2315670 | DECAL- COVER 70PD                |
| 8  | 880-003   | **SEAL                           | 45  | 2302750 | SPRING- LATCH TORSION PD/AP    |      | 2315671 | DECAL - COVER 70PD / SONAR       |
| 9  | 880-006   | **SEAL WITH SHIELD               | 46  | 2302607 | PIN- DRIV-LOK GROOVE ZINC TYPE | 90   | 2012100 | SCREW-8-18 X 5/8 [4.EA]          |
| 10 | 188-036   | BRUSH ASSEMBLY [2.EA]            | 47  | 2305515 | DECAL-STOW/DEPLOY              | ■    | 2774700 | FOOT PEDAL ASSEMBLY              |
| 11 | 725-050   | BRUSH RETENTION- PAPER TUBE      | 48  | 2305110 | PAD-PIVOT SUPT [4.EA]          | 91   | 2304511 | FOOT PEDAL BASE                  |
| 12 | 738-036   | BRUSH PLATE W/HOLDER             | 49  | 2305103 | PIVOT PAD [2.EA]               | 92   | 2308500 | WEAR PLATE FOOT PDL              |
| 13 | 975-040   | SPRING - TORSION [2.EA]          | 50  | 2300500 | PIN-LATCH                      | 93   | 2304516 | FOOT PEDAL-UPPER                 |
| 14 | 337-036   | **GASKET                         | 51  | 2300510 | PIN-PIVOT                      | 94   | 2304520 | FOOT PEDAL-LOWER                 |
| 15 | 701-008   | **O-RING, THRU-BOLT [2.EA]       | 52  | 2013100 | NUT-SPEED [4.EA]               | 95   | 2307210 | LEVER MOM/CON-                   |
| 16 | 701-081   | **O-RING                         | 53  | 2303612 | ROD-RELEASE RT/AP SS           | 96   | 2302730 | SPRING-LONG-UPPER PEDAL [2.EA]   |
| 17 | 830-007   | SCREW-8-32 [2.EA]                | 54  | 2302700 | SPRING-RELEASE LEVER           | 97   | 2302731 | SPRING-SHORT-UPPER PEDAL         |
| 18 | 830-008   | THRU-BOLT 10-32X9.2 [2.EA]       | 55  | 2303710 | LEVER-RELEASE                  | 98   | 2302732 | SPRING-LOWER PEDAL               |
| 19 | 990-067   | WASHER- STEEL THRUST             | 56  | 2300101 | RELEASE-KNOB                   | 99   | 2304012 | CONTROL BOARD ASSEMBLY-FT PDL    |
| 20 | 990-070   | WASHER - NYLATRON[2.EA]          | 57  | 2301700 | SPACER-RELEASE LEVER           | 100  | 2300120 | KNOB-SPEED SELECTOR              |
| 21 | 2096031   | MOTOR ASSEMBLY 24V 3.62 VARS TXT | 58  | 2303430 | SCREW-1/4-20 X 5/8             | 101  | 2300121 | HOUSING SPEED SELECTOR           |
|    | 2106031   | MOTOR ASSEMBLY-SONAR 24V 3.62    | 59  | 2031522 | COLLAR- DRIVE (W/INSERT)       | 102  | 2302840 | ACTUATOR-BOARD                   |
| 25 | 2032076   | TUBE-CARBON COMPOSITE 54"        | 60  | 2011365 | SCREW-COLLAR/NEW KNOB          | 103  | 2302841 | ACTUATOR-MOM/CON                 |
|    | 2032087   | TUBE-CARBON COMPOSITE 62"        | 61  | 2304045 | CTRL BOARD ASSEMBLY-24V PD/AP  | 105  | 2302842 | ACTUATOR-STEERING                |
| ■  | 1378131   | PROPELLER KIT                    | 62  | 2355410 | SHRINK TUBE-3/8 ODX2           | 106  | 2302100 | SCREW-6-20 X 1/2 [5.EA]          |
| 26 | 2091160   | PROPELLER W/WEDGE 2              | 64  | 2332100 | SCREW-8-32 X 3/8 [3.EA]        | 107  | 2372100 | SCREW-8-18 X 5/8 [5.EA]          |
| 27 | 2151726   | WASHER-5/16 SS                   | 65  | 2090601 | LEADWIRE IOGA 44"              | 108  | 2266610 | DECAL-ON/OFF SWITCH              |
| 28 | 2053101   | NUT-PROP NYLOC 5/16 SS           | 66  | 2020700 | TERMINAL RING [2.EA]           | 109  | 2335130 | BUMPER ACTUATOR                  |
| 29 | 2092600   | PIN-DRIVE                        | 67  | 2222906 | STRAIN RELIEF- BRACKET PD/AP   | 110  | 2994807 | BAG ASSEMBLY- 4 RUBBER BUMPERS   |
| 30 | 2301545   | COLLAR- LATCH PD/AP              | 68  | 2303430 | SCREW-1/4-20 X 5/8             | ■    | 2994803 | BAG ASSEMBLY- (BOLT,NUT,WASHERS) |
| 31 | 2303434   | SCREW- 8-32X5/8 MACH PHCR        | 69  | 2306555 | HOUSING- CENTER PD/AP          | *112 | 2153501 | BOLT-MOUNTING-3500 W/STG [4.EA]  |
| 32 | 2303112   | NUT 8-32 NYLOC SS                | 70  | 2034026 | BATTERY GAUGE - 24 VOLT        | *113 | 2151726 | WASHER-5/16 [4.EA]               |
| 33 | 2301932   | EXTRUSION- BASE MACHINED         | 71  | 2306609 | DECAL, BATTERY GAUGE           | *114 | 2153100 | NUT-5/16-18 MOUNTING [4.EA]      |
| 34 | 2303932   | MOTOR REST- RIGHT LARGE 3-5/8    | 72  | 2302935 | STRAIN RELIEF-DR. HOUSING      | *115 | 2301720 | WASHER-MOUNTING RUBBER [6.EA]    |
| 35 | 2303937   | MOTOR REST- LEFT LARGE 3-5/8     | 73  | 2303941 | SIDEPLATE (RIGHT) PD MK        | 116  | 2211405 | EXTENSION CABLE - SONAR          |
| 36 | 2303430   | SCREW 1/4-20X5/8 SELF TAP [4.EA] | 74  | 2303946 | SIDEPLATE(LEFT) PD MK          | 117  | 2256300 | TIE WRAP 5" - SONAR              |
| 37 | 2301845   | DRIVE HOUSING PD/AP 2001         | 75  | 2303430 | SCREW-1/4-20 X 5/8- [4.EA]     | 118  | 2052510 | CABLE CLAMP - SONAR              |
|    |           |                                  | 76  | 2302515 | CONTROL BOX PD/AP              |      |         |                                  |

\*\* Seal & Oring Kit P/N 2888460 \* This item is part of an assembly. This item cannot be sold separately due to machining and /or assembly that is required.

P/N 2314937

REV.B 7-05

