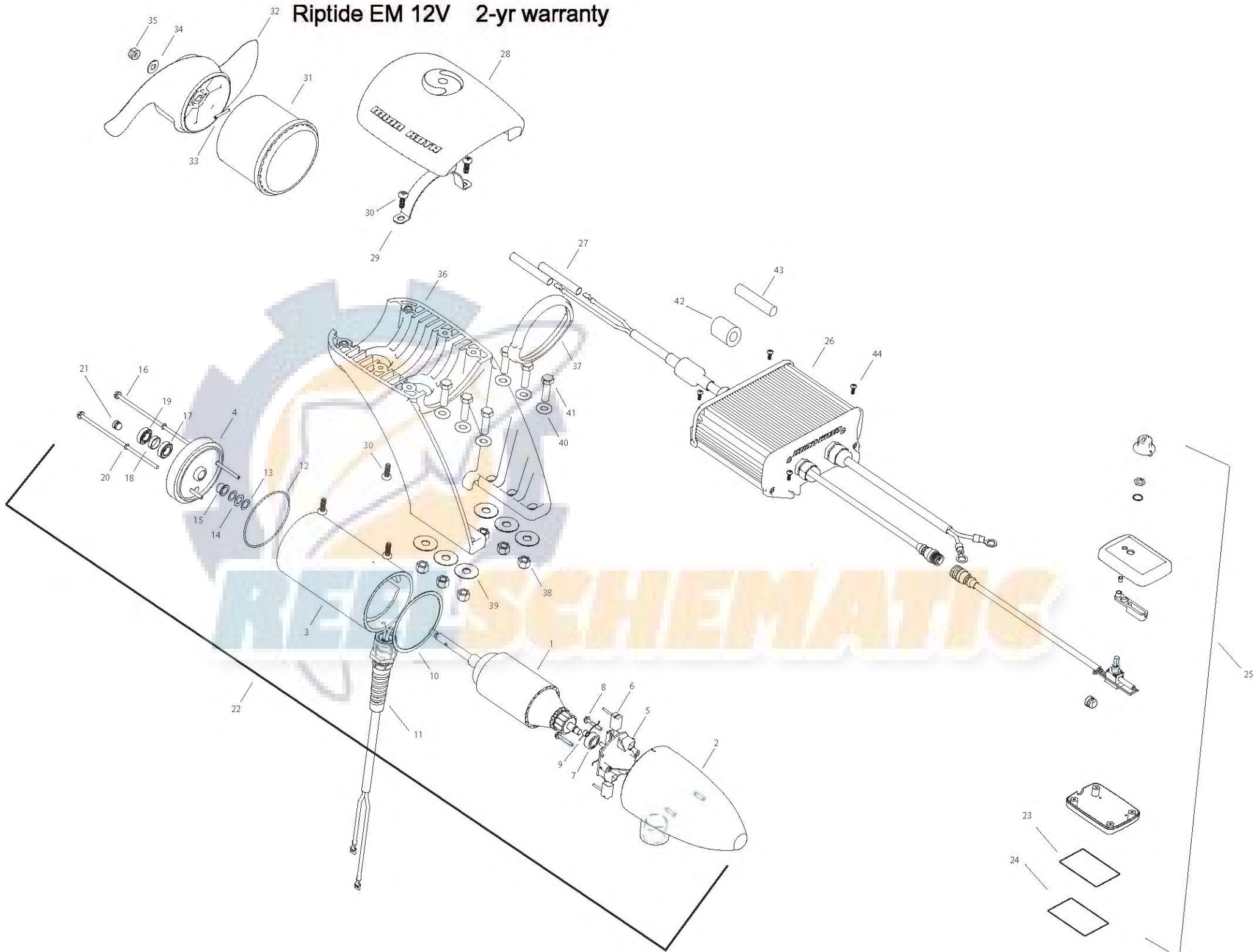
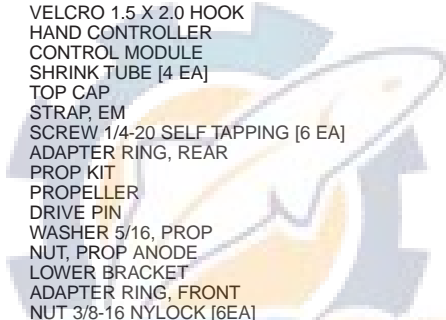


Riptide EM 12V 2-yr warranty



1	2-100-206	ARMATURE 2V 3.62
2	421-302	BRUSH END HOUSING
3	2-200-301	CENTER HOUSING ASSEMBLY
4	2-400-338	PLAIN END ASSY (CONTAINS 4, 15, 17, 18, 19)
5	2-600-168	BRUSH PLATE ASSEMBLY (CONTAINS 5, 6, 9)
6	188-036	BRUSH
7	140-010	BEARING
8	830-007	SCREW #8-32
9	975-040	BRUSH SPRING
10	337-036	**GASKET
11	2772917	LEADWIRE ASSEMBLY
12	701-081	**O-RING
13	990-067	WASHER STEEL
14	990-070	WASHER NYLATRON
15	144-049	FLANGE BEARING
16	830-042	THRU-BOLT 10-32 X 8.83
17	880-003	**SEAL
18	725-035	PAPER TUBE
19	880-006	SEAL WITH SHIELD
20	701-008	**O-RING THRUBOLT
21	836-001	ALUMINUM PLUG
22	2387103	MOTOR ASSY 12V 3.625 55#
23	9950953	VELCRO 1.5 X 2.0 LOOP
24	9950950	VELCRO 1.5 X 2.0 HOOK
25	2990240	HAND CONTROLLER
26	2990222	CONTROL MODULE
27	2385401	SHRINK TUBE [4 EA]
28	2380211	TOP CAP
29	2383810	STRAP, EM
30	2383418	SCREW 1/4-20 SELF TAPPING [6 EA]
31	2381535	ADAPTER RING, REAR
■	1378131	PROP KIT
32	2091160	PROPELLER
33	2092600	DRIVE PIN
34	2151726	WASHER 5/16, PROP
35	2198400	NUT, PROP ANODE
36	2381940	LOWER BRACKET
37	2381530	ADAPTER RING, FRONT
38	2383122	NUT 3/8-16 NYLOCK [6EA]
39	2381726	WASHER FENDER 3/8 X 1 1/4 OD [6 EA]
40	2381728	WASHER 3/8 [6 EA]
41	2383422	SCREW 3/8 X 1 1/4 [6EA]
42	2307310	FERRITE BEAD (EUROPEAN MOTORS ONLY)
43	2075401	HEATSHRINK (EUROPEAN MOTORS ONLY)
44	2373427	SCREW #12 X 5/8 [4 EA]
■	2994856	BAG ASSY (CONTAINS 38-41,27,23,24,44, TIE WRAPS)



SCHEMATIC

12V

