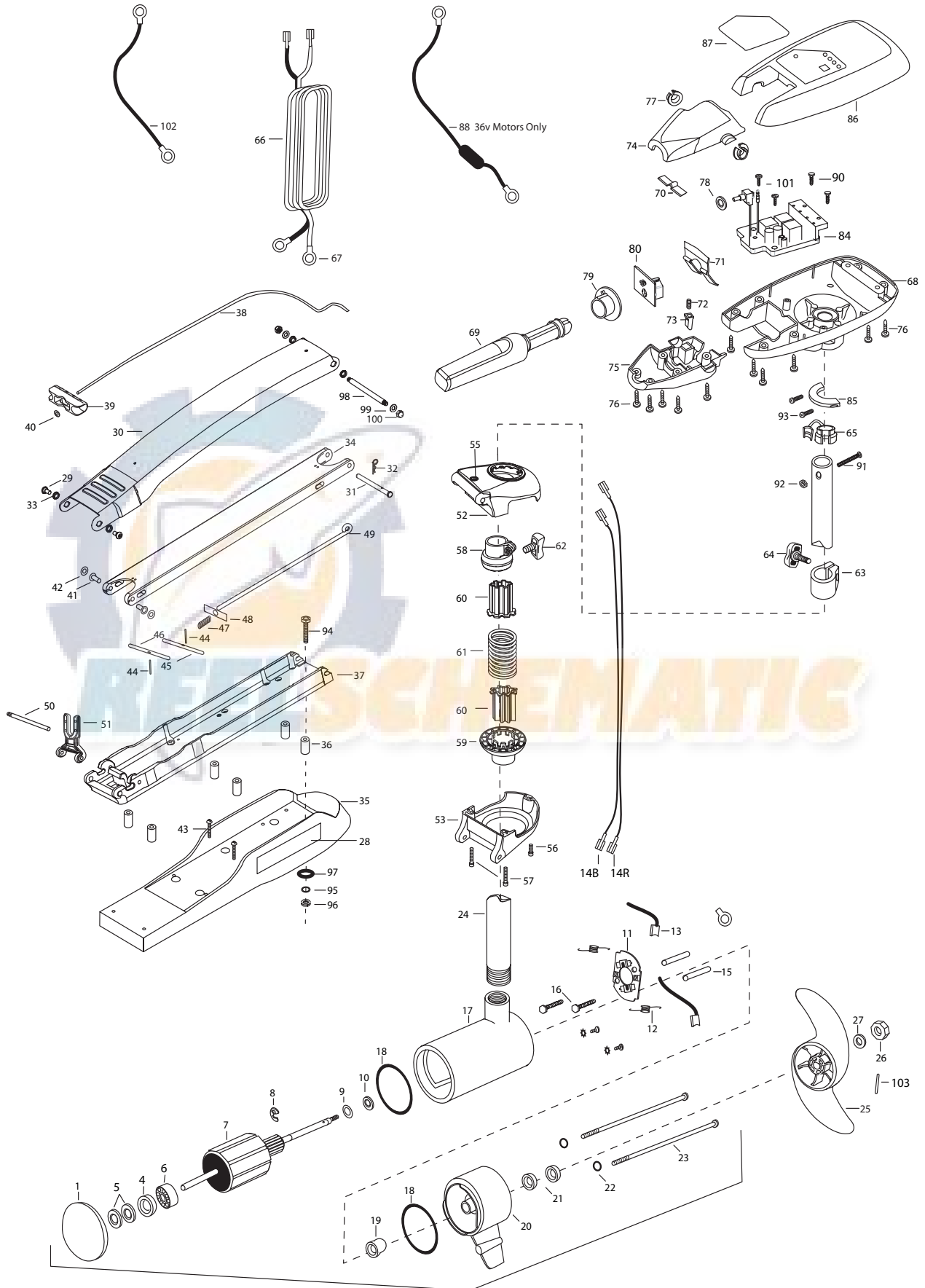


MAXXUM 80 hand control  
80 LBS THRUST  
24 VOLT 56 AMPS  
52" SHAFT

for use with "AH" serial numbers  
3-year warranty from the date of purchase



1	421-276	PLAIN END HOUSING ASSEMBLY			INCL 38-40, 44-49	70	2302742	SPRING-DETENT(OFF)
4	990-045	THRUST SPACER	35	2263912	MOTOR REST (STD) FW	71	2302743	SPRING-DETENT,HANDLE-TILT
5	992-010	SPRING WASHER [2.EA]	36	2261505	SPACER, MOTOR REST [6.EA]	72	2302745	SPRING-RELEASE BUTTON
6	140-010	BALL BEARING	37	2773987	BOWPLATE W/INSERT STD FW	73	2303720	RELEASE BUTTON-HANDLE
7	2-100-213	ARMATURE ASSEMBLY	38	2251601	ROPE (40"), MAXXUM MOUNT	74	2060409	HANDLE (TOP HALF)MAXIMIZE
8	788-040	RETAINING RING	39	2150400	PULL-GRIP	75	2060415	HANDLE (LOWER HALF)
9	990-051	WASHER-THRUST, STEEL	40	2151700	WASHER-EYE SHAFT(.562 OD)	76	2303412	SCREW-6-20 X 5/8 SELF TAP [11.EA]
10	990-052	WASHER- NYLATRON	41	2261708	WASHER-3/8"X1/2"X.010 (S/S) [2.EA]	77	2060005	BEARING-HANDLE PIVOT [2.EA]
11	738-004	BRUSH PLATE -4" TERMINAL	42	2236000	BEARING NYLINER [2.EA]	78	2181700	WASHER SPACER
12	975-041	SPRING -TORSION [2.EA]	43	2263434	SCREW, 8-18 X 1" PPH S/S [2.EA]	79	2992852	ACTUATOR-CAM
13	188-094	BRUSH W/TERMINAL [2.EA]	44	2152610	SPRING-PIN (LOCKBAR) [2.EA]	80	2184020	POT ADAPTER
14B	640-017	BRUSH WIRE-BLK	45	2233600	LOCK BAR-(BOW MOUNT)	84	2184001	CTRL BOARD ASSEMBLY 24/36V
14R	640-121	BRUSH WIRE- RED	46	2233602	LOCK BAR, REAR - ZINC	85	2061515	COLLAR-CTRL BOX (FRS-WTR)
15	973-025	SPACER -BRUSH PLATE [2.EA]	47	2152700	SPRING-(LOCKBAR) CAD.PLTD	86	2260290	CTRL BOX CVR- BLK
16	830-027	SCREW -SELF TRDED 10-32 X 2" [2.EA]	48	2262703	SPRING STOP MAXXUM	87	2265666	DECAL-COVER, MAX80/H
17	431-160	HOUSING ASSEMBLY- CENTER	49	2153602	EYE SHAFT-2 LOCKBAR STD SS	90	2372100	SCREW-8-18 X 5/8 THD [2.EA]
18	701-043	O-RING [2.EA]	50	2260506	HINGE-PIN (HEADLESS)ZINC	91	2383407	SCREW-10-24 X 2." PPH ZINC
19	144-017	BEARING -FLANGE (SERVICE ONLY)	51	2293811	YOKE,MAX MNT-POLYPROPYLENE	92	2383124	NUT-10-24 NYLOCK ZINC PLT
20	2-300-160	BRUSH END HOUSING ASSEMBLY	■	2994833	BAG ASSEMBLY MAX STABILIZER KIT	93	2263434	SCREW-#8 X 1" PPH TYPE 25 SS [2.EA]
21	880-025	SEAL [2.EA]	■	2991760	BOWGUARD ASSEMBLY-HAND CTRL	■	2994830	BAG ASSEMBLY-MAXXUM
22	701-009	O-RING -THRU BOLT [2.EA]	52	2772319	BRACKET BASE TOP/EYELET ASSEMBLY	*94	2263431	SCREW 1/4-20 X 3.5 PPH [6.EA]
23	830-096	THRU BOLT 12-24 X 11.56" SS [2.EA]	53	2991770	BRACKET BOTTOM/BEARING ASSEMBLY	*95	2261713	WASHER-1/4 FLAT S/S [6.EA]
■	2316219	MTR ASSEMBLY 24V 4" VARS [INCL.1-23]	55	2772352	EYELET- KIT	*96	2263103	NUT-1/4-20 NYLOCK-JAM S/S [6.EA]
24	2032068	TUBE-CARBON COMPOSITE 52"	56	2263423	SCREW 5/16-18 X 1" SHCS (ZINC)	*97	2301720	WASHER-MOUNTING*RUBBER [6.EA]
■	1378132	PROPELLER KIT	57	2263425	SCREW 5/16-18 X 2 1/2" SCHS [2.EA]	98	2262605	PIN BWGRD UPPER THREADED ZP
25	2331160	PROPELLER- W/WEDGE 2	58	2261525	SPRING-SLEEVE UPPER	100	2223100	NUT- TENSION 5/16-18 SS [2.EA]
26	2093101	NUT-PROP,NYLOC (LARGE) MAX101	59	2261535	SPRING SLEEVE, LOWER	101	2301310	SCREW- #8-18X1/2 SS [2.EA]
27	2091701	WASHER-PROP (LARGE) MAX 101	60	2264702	INSERT-TUBE (2 PER) B.MNT [2.EA]	102	2340610	CONNECTOR CABLE
28	2265514	DECAL- MAX MOTOR REST [2.EA]	61	2262704	SPRING, BOWGUARD, HAND CT	103	2262658	DRIVE PIN
■	2771866	MOUNT/BOW GUARD ASSEMBLY FW STD	62	2011365	SCREW-COLLAR/NEW KNOB			
■	2991840	MOUNT,BOW ASSEMBLY FW STD	63	2031520	COLLAR-DEPTH (W/O INSERT)	99	2261722	washer
29	2263500	BOLT, SHOULDER (MAXXUM) [2.ea]	64	2011365	SCREW-COLLAR/NEW KNOB			
30	2264241	ARM-UPPER FW,STD	65	2052900	STRAIN RELIEF-C.CORD/SP.C			
31	2262607	PIN- CLEVIS ZP MAX BWGRD	66	2090600	LEADWIRE (10 GA) RINGS			
32	2260805	CLIP-SPRING ZP MAX BWGRD	67	2020700	TERMINAL RING,3/8" [2.EA]			
33	2293501	BUSHING, STAINLESS STEEL [4.EA]	68	2062592	CONTROL BOX,FW,,725 BORE			
34	2994307	ARM-LOWER ASSEMBLY STD,FW,EXT	69	2990914	HANDLE ASSEMBLY W/O U-JOINT			

Seal & O-Ring Kit is p/n 2889460

\* This item is part of an assembly. This item cannot be sold separately due to machining and /or assembly that is required. P/N 2274974 REV. G 6-06

