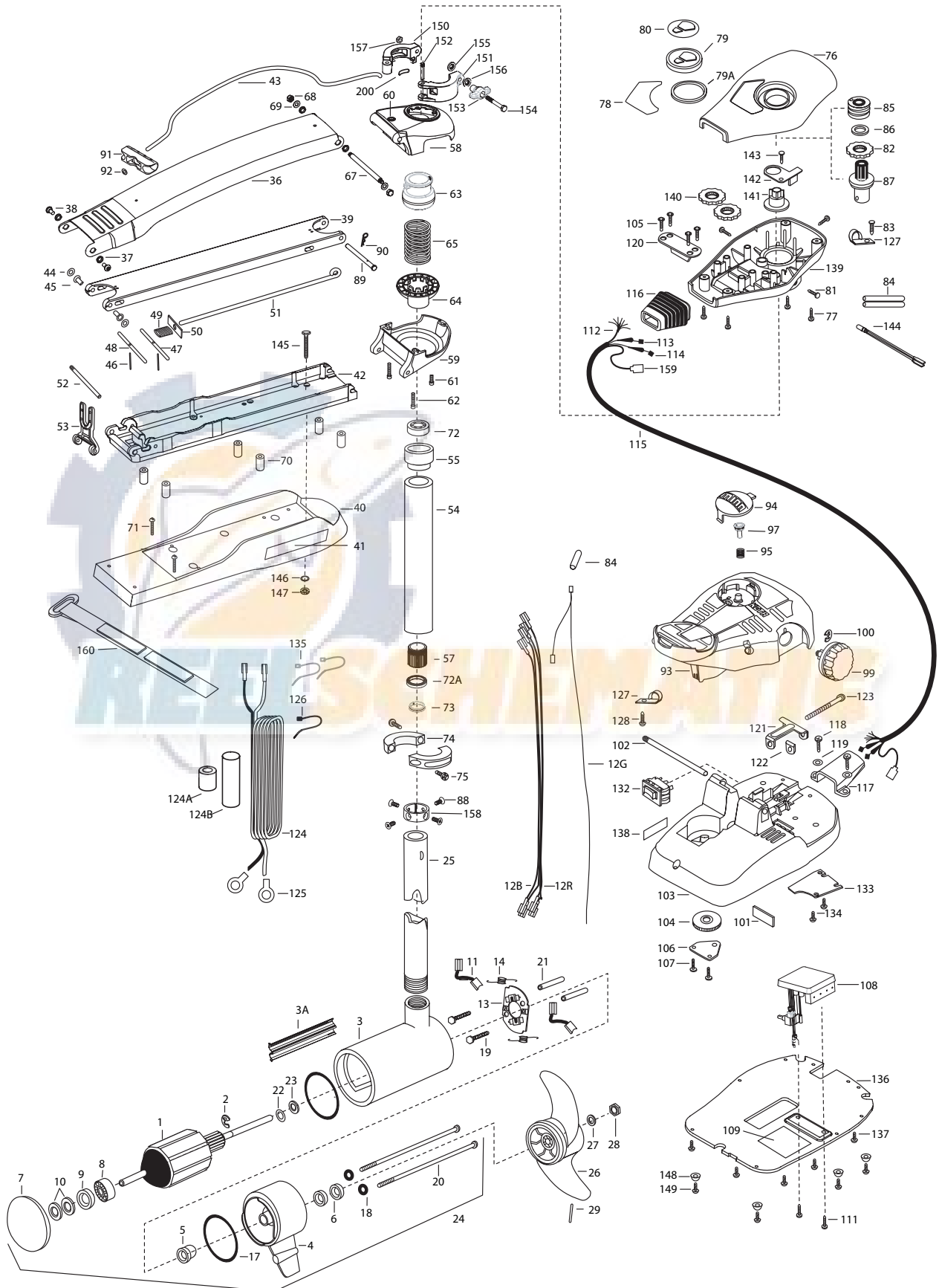


MAXXUM 80
80 lbs Thrust
24 volt 56 amps
48", 52" & 62" SHAFT

for use with "AH" serial numbers
3-year warranty from the date of purchase



| | | | | | | | | |
|-----|-----------|--------------------------------------|-----|---------|------------------------------------|------|--------------------|--|
| 1 | 2-100-214 | ARMATURE ASSEMBLY 24V 4" | 52 | 2260506 | HINGE-PIN HEADLESS ZINC | 107 | 2301310 | SCREW-8-18 X 1/2 SS [2.EA] |
| 2 | 788-040 | RETAINING RING | 53 | 2293811 | YOKE,MAX MNT-POLYPROPYLENE | 108 | 2344054 | CONTROL BOARD ASSY 24-36V MAX |
| 3 | 431-160 | CENTER HOUSING ASSEMBLY 4.0 TXT | ■ | 2772087 | TUBE W/BEARING RACE ASSEMBLY 34" | 109 | 2365107 | INSULATING PAD 2.3 X 3.2 |
| 3A | 582-013 | CLIP, RETAINING, US2 | | 2772086 | TUBE W/BEARING RACE ASSEMBLY 24" | 111 | 2265430 | SCREW, 10-32 X 1/2 [2.EA] |
| 4 | 2-300-160 | BRUSH END HOUSING ASSEMBLY | 54 | 2272087 | TUBE OUTER 34" 62 | 112 | 2261220 | WIRE HARNESS AT & MAX 82.5 |
| 5 | 144-017 | BEARING- FLANGE (SERVICE ONLY) | | 2272086 | TUBE OUTER 24" 48"-52" | 113 | 2267505 | CABLE ASSEMBLY-RIGHT 5' |
| 6 | 880-025 | SEAL [2.EA] | 55 | 2266260 | BEARING RACE-(565T) | 114 | 2267515 | CABLE ASSEMBLY-LEFT 5' |
| 7 | 421-276 | PLAIN END HOUSING ASSEMBLY | 57 | 2267307 | BUSHING, OUTER TUBE | 115 | 2265430 | CABLE JACKET 5' |
| | 9421-284 | PLAIN END HOUSING ASSEMBLY US2 42" | ■ | 2991763 | BOWGUARD ASSEMBLY-FT CTRL,MAX 62 | 116 | 2265110 | BOOT-CONTROL BOX |
| | 9421-285 | PLAIN END HOUSING ASSEMBLY US2 52" | | 2991762 | BOWGUARD ASSEMBLY-FT CTRL,MAX 52 | 117 | 2265115 | BOOT-FOOT PEDAL BASE |
| | 9421-286 | PLAIN END HOUSING ASSEMBLY US2 62" | 58 | 2772319 | BRACKET BASE TOP/EYELET ASSEMBLY | 118 | 2372100 | SCREW-8-18 X 5/8 THD SS [2.EA] |
| | 140-010 | BALL BEARING | 59 | 2991770 | BRKT BOTTOM/BEARING FW ASSEMBLY 62 | 119 | 2261714 | WASHER-MAXXUM PT PDL [2.EA] |
| 8 | 990-045 | THRUST WASHER | | 2991771 | BRKT BOTTOM/BEARING FW ASSEMBLY 52 | 120 | 2261901 | BRACKET-CONDUIT AT/MAX |
| 9 | 992-010 | SPRING WASHER [2.EA] | 60 | 2772352 | EYELET KIT -ROPE | 121 | 2263210 | BRACKET-CONDUIT ADJUSTMENT |
| 10 | 186-094 | BRUSH [2.EA] | 61 | 2263423 | SCREW 5/16-18 X 1" SHCS ZINC | 122 | 2263104 | NYLOCK KEEPER |
| 11 | 640-024 | LEADWIRE-BLACK 10 AWG 79" | 62 | 2263425 | SCREW 5/16-20 X 2-1/2" SHCS [2.EA] | 123 | 2263466 | SCREW-1/4-20 X 2 STL PPH |
| 12B | 640-131 | LEADWIRE-RED 10 AWG 80 1/2" | 63 | 2071541 | SPRING-SLEEVE UPPER | 124 | 2261233 | LEADWIRE VARIABLE |
| 12R | 640-305 | GROUND WIRE 42" | 64 | 2071535 | SPRING SLEEVE, LOWER | 124A | 2307310 | BEAD - FERRITE [2.EA] (CE MODELS ONLY) |
| 12G | 640-306 | GROUND WIRE 52" | 65 | 2262712 | SPRING, BOWGUARD, FC PAINTED | 124B | 2075401 | HEAT SHRINK 1.1" O.D. X 3.5" |
| | 640-307 | GROUND WIRE 62" | 67 | 2262605 | PIN- THREADED | 125 | 2020700 | TERMINAL RING, 3/8 [2.EA] |
| | 738-040 | BRUSH PLATE 4" | 68 | 2223100 | NUT - NYLOC SS [2.EA] | 126 | 2256300 | TIE WRAP-5.5 BLACK |
| 13 | 975-041 | SPRING- TORSION [2.EA] | 69 | 2261722 | WASHER [2.EA] | 127 | 2263201 | CLAMP WIRE HARNESS MICRO [2.EA] |
| 14 | 701-043 | O-RING [2.EA] | ■ | 2994832 | BAG ASSEMBLY | 128 | 2332103 | SCREW-6-20 X 3/8 THD SS |
| 17 | | | *70 | 2261505 | SPACER, MOTOR REST [6.EA] | 132 | 2254031 | SWITCH-MOM/OFF/CON |
| 18 | 701-0009 | O-RING - THRU BOLT[2.EA] | *71 | 2263434 | SCREW, 8-18 X 1 PPH SS [2.EA] | 133 | 2266412 | SWITCH PLATE, PT PEDAL |
| 19 | 830-027 | SCREW -SELF THREAD 10-32X2 [2.EA] | 72 | 2266000 | BEARING BALL-STEEL | 134 | 2332103 | SCREW-6-20 X 3/8 THD SS [2.EA] |
| 20 | 830-094 | THRU BOLT 12-24X10.31 [2.EA] | 72A | 2266116 | BEARING, CARTRIDGE | 135 | 2256301 | TIE WRAP-5.5 WHITE [2.EA] |
| 21 | 973-025 | SPACER- BRUSH PLATE [2.EA] | 73 | 2266001 | BEARING, SPLIT RING | 136 | 2264511 | BOTTOM PLATE, MAXXUM PT |
| 22 | 990-051 | WASHER- STEEL | 74 | 2261622 | COLLAR HALF-PAINTED-2 PER- KIT | 137 | 2372100 | SCREW-8 X 1/2 SS [5.EA] |
| 23 | 990-052 | WASHER- NYLATRON | 75 | 2263453 | SCREW-1/4-20 X 3/4 SHCS SS [2.EA] | 138 | 2266610 | DECAL-ON/OFF SWITCH |
| 24 | 2316216 | MOTOR ASSEMBLY 24V 4" VARS TXT 42" | 76 | 2260283 | CONTROL BOX COVER-MAXXUM | 139 | 2262535 | CONTROL BOX-PLASTIC |
| | 2316217 | MOTOR ASSEMBLY 24V 4" VARS TXT 52" | 77 | 2372100 | SCREW-8-18 X 5/8 THD [4.EA] | 140 | 2267800 | GEAR-INDICATOR [2.EA] |
| | 2316229 | MOTOR ASSEMBLY 24V 4" VARS TXT 62" | 78 | 2265644 | DECAL COVER, MAXXUM 80 | 141 | 2262220 | INDICATOR-DRIVE |
| | 2326220 | MOTOR ASSEMBLY 24V 4" VARS 42"SONAR | | 2265694 | DECAL COVER, MAXXUM 80 US2 | 142 | 2261905 | BRACKET/INDICATOR |
| | 2326221 | MOTOR ASSEMBLY 24V 4" VARS 52" SONAR | 79 | 2260150 | POINTER DISC TRNSLCNT RED | 143 | 2301310 | SCREW-8-18 X 1/2 SS |
| | 2326222 | MOTOR ASSEMBLY 24V 4" VARS 62" SONAR | 79A | 2261733 | WASHER-FOAM, INDICATOR | 144 | 2264015 | LIGHT/INDICATOR |
| 25 | 2032007 | TUBE COMP W/4 HOLE 62" | 80 | 2265800 | DECAL-INDICATOR | ■ | 2994830 | BAG ASSEMBLY-MAXXUM |
| | 2032006 | TUBE COMP W/4 HOLE 52" | 81 | 2053414 | SCREW-#8-32 X 1/2 TRI-LOBE [3.EA] | *145 | 2263431 | SCREW 1/4-20 X 3.5 PPH [6.EA] |
| | 2032005 | TUBE COMP W/4 HOLE 48" | 82 | 2267800 | GEAR-INDICATOR | *146 | 2261713 | WASHER-1/4 FLAT S/S [6.EA] |
| ■ | 1378132 | PROPELLER KIT | 83 | 2301310 | SCREW-8-18 X 1/2 SS | *147 | 2263103 | NUT-1/4-20 NYLOCK-JAM [6.EA] |
| 26 | 2331160 | PROPELLER W/WEDGE 2 | 84 | 2355410 | SHRINK TUBE-3/8 OD X 2- [3.EA] | 148 | 2265126 | BUMPER [4.EA] |
| 27 | 2091701 | WASHER-PROP LARGE | 85 | 2232360 | PULLEY-CABLE DRUM | 149 | 2263455 | SCREW #12 [4.EA] |
| 28 | 2093101 | NUT-PROP NYLOCK SS | 86 | 2261730 | WASHER-NYLON | ■ | 2991550 | CLAMP COLLAR ASSEMBLY |
| 29 | 2262658 | PIN-DRIVE SS | 87 | 2996247 | PINION/RACE ASSEMBLY | 150 | 2071550 | CLAMP COLLAR "A" |
| ■ | 2991842 | MOUNT,BOW ASSEMBLY, FW 62 W/O BGRD | 88 | 2223468 | SCREW-8-32 X 7/16 ZN PL [4.EA] | 151 | 2071555 | CLAMP COLLAR "B" |
| | 2991841 | MOUNT,BOW ASSEMBLY, FW 52 W/O BGRD | 89 | 2262607 | PIN- CLEVIS ZN | 152 | 2072621 | PIN-KNURLED |
| 36 | 2264246 | ARM UPPER-FW LONG | 90 | 2260805 | SPRING CLIP ZN | 153 | 2070120 | KNOB-CLAMP COLLAR |
| 37 | 2293501 | BUSHING, STAINLESS STEEL [4.EA] | 91 | 2150400 | PULL-GRIP | 154 | 2073412 | SCREW 1/4-28 X 2 3/4" SS |
| 38 | 2263500 | BOLT, SHOULDER MAXXUM [2.EA] | 92 | 2151700 | WASHER-EYE SHAFT .562 OD | 155 | 2071718 | WASHER #10 NYLON RETAINING |
| 39 | 2774317 | ARM-LOWER ASSEMBLY,LG,FW,EXT | 93 | 2790002 | FOOT PEDAL/PLUG ASSEMBLY | 156 | 2071716 | WASHER - FLAT SS |
| 40 | 2263913 | MOTOR REST LONG MAXXUM | 94 | 2993702 | PUSH BUTTON / MAGNET ASSEMBLY | 157 | 2073102 | NUT - HEX 1/4 - 28 SS |
| 41 | 2265514 | DECAL-MAXXUM,MOTOR REST [2.EA] | 95 | 2302732 | SPRING-LOWER PEDAL SS | 158 | 2071560 | SPLIT COLLAR |
| 42 | 2773986 | BOWPLATE- FW LG MACH/INSERT | 97 | 2260810 | CLIP, REED SWITCH | 159 | 2211410 | EXTENSION CABLE US2 |
| 43 | 2251601 | ROPE 40" MAXXUM MOUNT | 99 | 2260160 | KNOB-SPEED CONTROL VAR | 160 | 2263804 | STRAP - VELCRO 30.5" |
| 44 | 2261708 | WASHER-3/8X1/2X.010 SS [2.EA] | 100 | 2263000 | E-RING TRU-ARC#5133-43 | 200 | 2075120 | URETHANE PAD |
| 45 | 2267813 | BEARING NYLINER- [2.EA] | 101 | 2266413 | PLATE -TENSION SCREW FTPED. | | | |
| 46 | 2152610 | SPRING-PIN LOCKBAR [2.EA] | 102 | 2260511 | PIN-PIVOT A/T PT PDL | | | |
| 47 | 2233600 | LOCK BAR- BOW MOUNT | 103 | 2774550 | FT PEDAL BASE/PIN ASSEMBLY | | | |
| 48 | 2233602 | LOCK BAR- REAR ZINC | 104 | 2262301 | PULLEY- FOOT PEDAL | | | |
| 49 | 2152700 | SPRING-LOCKBAR CAD.PLT | 105 | 2223430 | SCREW #8X3/4 PPH TYPE 25 SS [4.EA] | | | |
| 50 | 2262703 | SPRING STOP | 106 | 2266400 | COVER-PULLEY STAMPING | | | |
| 51 | 2153604 | EYE SHAFT-2LOCKBAR LG-PLTD | | | | | | |

Seal & O-Ring Kit is p/n 2889460

* This item is part of an assembly. This item cannot be sold separately due to machining and /or assembly that is required. P/N 2274964 REV. N

11-06

Max 80 is 24-volt!

OPTIONAL BROWN WIRE FOR SONAR EQUIPPED MOTORS.
SEE BOAT WIRING DIAGRAM
FIL MARRON OPTIONNEL POUR MOTEURS
ÉQUIPÉS DE SONAR. VOYEZ LE SCHÉMA DE CÂBLAGE DU BATEAU.

