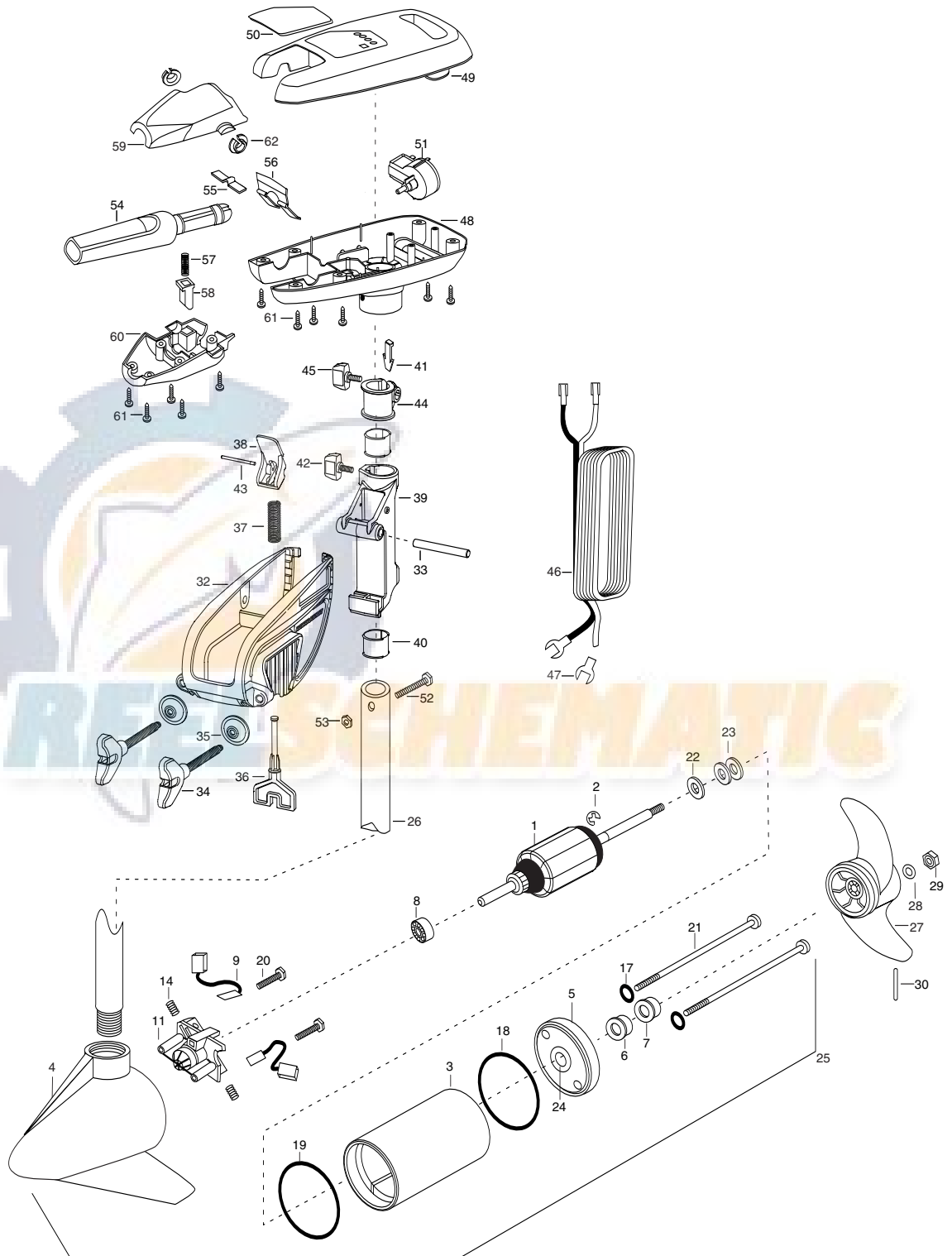


TURBO 65
36 LBS THRUST
12 VOLT 34 AMPS
36" SHAFT

for use with "AH" serial numbers
2-year warranty from the date of purchase



1	2-100-278	ARMATURE ASSEMBLY 12V 3.25	*35	2011710	WASHER- CLAMP SCREW 1.5OD
2	788-015	RETAINING RING	■	2881300	CLAMP SCREW, WASHER, RETAINER KIT
3	2-200-079	CENTER HOUSING ASSEMBLY 3.25 TXT	36	2063605	T-BAR PLASTIC
4	2-300-132	BRUSH END HOUSING ASSEMBLY 3.25 SP.CO	37	2062706	SPRING- T-BAR ENDURA
5	2-400-128	HOUSING- PLAIN END ASSEMBLY	38	2067201	LEVER- TILT BLACK
6	880-003	SEAL	39	2061810	HINGE-PLASTIC
7	880-006	SEAL W/SHIELD	40	2037301	BUSHING-HINGE [2.EA]
8	140-010	BEARING-BALL	41	2062800	TENSION BLOCK- SNAP IN
9	188-052	BRUSH ASSEMBLY [2.EA]	42	2011385	SCREW-TENSION/NEW KNOB
11	738-030	BRUSH PLATE W/HOLDER 3.25 ASSEMBLY	43	2060515	PIN- TILT LEVER
14	975-032	SPRING- COMPRESSION	44	2061520	COLLAR-DEPTH ((ENDURA)
17	701-007	O-RING [2.EA]	45	2011365	SCREW-COLLAR/NEW KNOB
18	701-039	O-RING MK406460	46	2050609	LEADWIRE (10 GA SPADE TERM)
19	701-041	O-RING	47	2020702	SPADE TERMINAL 10GA. [2. EA]
20	830-001	SCREW- SELF THREAD 8-32X1.7 [2.EA]	48	2062551	CONTROL BOX W/HAND
21	830-078	THRU BOLT 8-32X8.96 [2.EA]	49	2060281	CONTROL BOX COVER- (BLACK)
22	990-067	WASHER- STEEL	50	2065684	DECAL COVER-65T
23	990-070	WASHER- NYLATRON [2.EA]	51	2064023	SWITCH-FWD/REV -5 SP
24	144-049	BEARING- FLANGE- SERVICE ONLY	52	2033400	SCREW-10-24 X 1-3/4
25	2069241	MOTOR ASSEMBLY 12V 3.25 5SPC TXT	53	2013110	NUT-HEX 10-24 ZCP
26	2032052	TUBE (COMPOSITE) 36"	54	2990912	HANDLE ASSEMBLY W/U-JOINT 5SP
■	1378126	PROP KIT	55	2302742	SPRING-DETENT (OFF) (SS)
27	2061125	PROP- W.WEDGE	56	2302743	SPRING-DETENT (HANDLE)
28	2151726	WASHER- 5/16 STD SS	57	2302745	SPRING-RELEASE BUTTON (SS)
29	2053101	NUT-PROP NYLOC	58	2303720	RELEASE BUTTON-HANDLE
30	2092600	PIN-DRIVE (SS)	59	2060408	HANDLE (TOP HALF)
■	2771818	BRACKET & HINGE ASSEMBLY	60	2060415	HANDLE (LOWER HALF)
■	2771910	BRACKET W/CLAMP SCREW ASSEMBLY (INCL.32,34,35)	61	2303412	SCREW-6-20 X 5/8 SELF TAP [11. EA]
*32	2061910	BRACKET PLASTIC	62	2060005	BEARING-HANDLE PIVOT [2. EA]
33	2060510	PIN-HINGE- ENDURA			
*34	2061300	SCREW- CLAMP			

