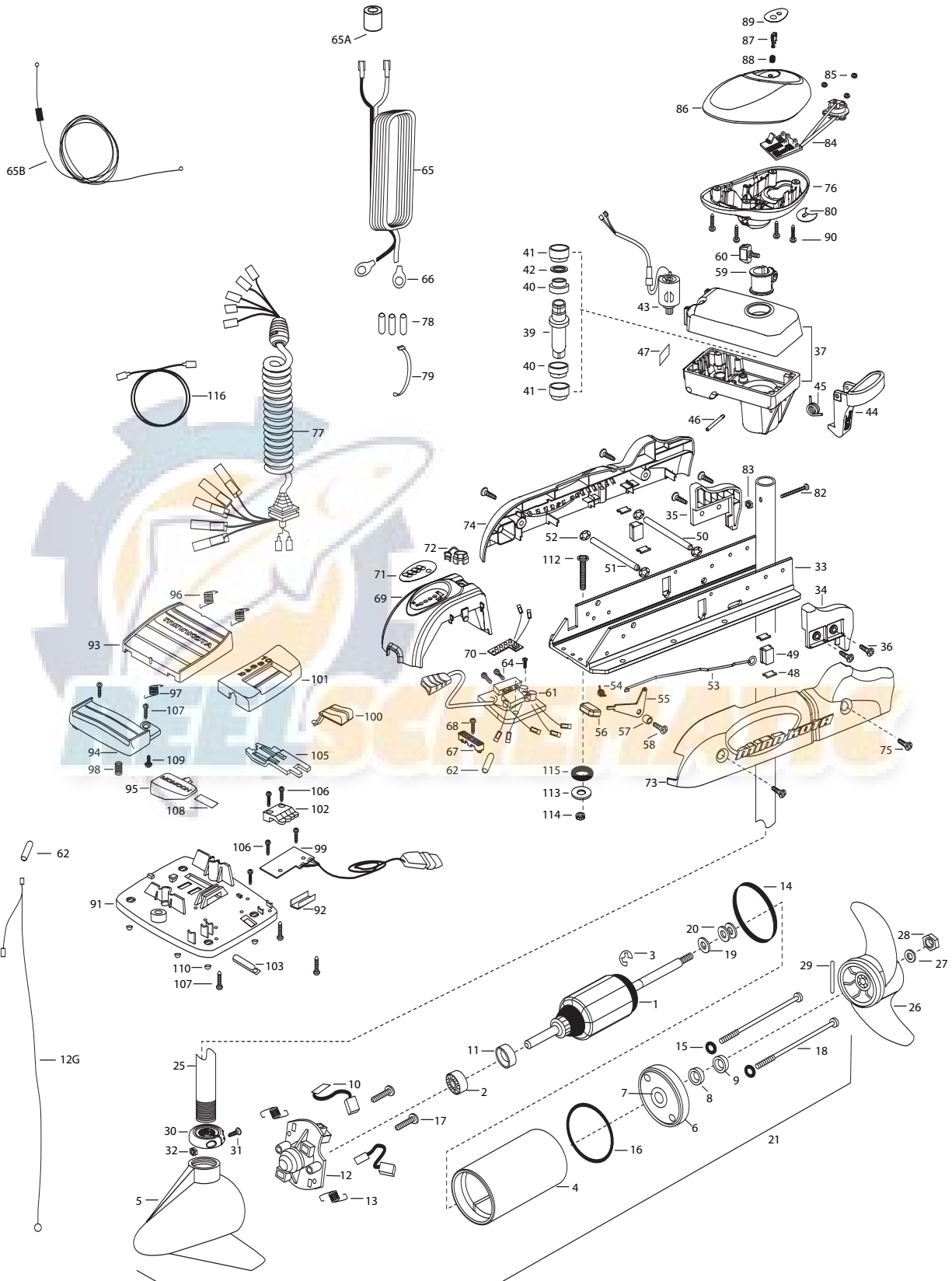


55AP
55 LBS THRUST
12 VOLT 50 AMPS
54" , 48",OR 60"
SHAFT

for use with "AH" serial numbers
3-year warranty from the date of purchase



1	2-100-115	ARMATURE ASSEMBLY	33	2301932	EXTRUSION- BASE MACHINED	70	2034025	BATTERY GAUGE - 12 VOLT	108	2266610	DECAL-ON/OFF SWITCH
2	140-010	BALL BEARING	34	2303932	MOTOR REST- RIGHT LARGE	71	2306609	DECAL, BATTERY GAUGE	109	2335130	BUMPER ACTUATOR
3	788-015	RETAINING RING	35	2303937	MOTOR REST- LEFT LARGE	72	2302935	STRAIN RELIEF-DR. HOUSING	110	2994807	BAG ASSEMBLY- 4 RUBBER
4	431-101	HOUSING ASSEMBLY CENTER 3.62 TXT	36	2303430	SCREW 1/4-20X5/8 SELF TAP [4.EA]	73	2303941	SIDEPLATE (RIGHT)	■	2994803	BAG ASSEMBLY-
5	421-065	HOUSING -BRUSH END 3.62 TXT	37	2301845	DRIVE HOUSING PD/AP 2001	74	2303946	SIDEPLATE(LEFT)			(BOLT,NUT,WASHERS)
	9421-165	HOUSING- BRUSH END 3.62 SONAR 48"	■	2882011	BUSHING/ OUTSHAFT KIT	75	2303430	SCREW-1/4-20 X 5/8- [4.EA]	*112	2153501	BOLT-MTG-3500 W/STG [4.EA]
	9421-166	HOUSING- BRUSH END 3.62 SONAR 54"			(INCLUDES 39-42)	76	2772515	CONTROL BOX / DECAL ASSEMBLY	*113	2151726	WASHER-5/16 [4.EA]
6	2-400-101	PLAIN END HOUSING ASSEMBLY 3.625	*39	2302010	DRIVE HOUSING OUTPUT SHAFT	77	2991285	COIL CORD WSTRAIN RELIEF 48, 54"	*114	2153100	NUT-5/16-18 MOUNTING [4.EA]
7	144-049	BEARING - FLANGE (SERVICE ONLY)	*40	2307304	BUSHING- INNER [2.EA]		2991287	COIL CORD W STRAIN RELIEF 60"	*115	2301720	WASHR-MTG RUBBER [6.EA]
8	880-003	SEAL	*41	2307305	BUSHING- OUTER [2.EA]	78	2065400	WIRE INSULATOR-LGE 1-3/4 [3.EA]	116	2211405	EXTENSION CABLE- SONAR
9	880-006	SEAL WITH SHIELD	*42	2304603	O-RING	79	9950433	TIE WRAP-4" BLACK			
10	188-036	BRUSH ASSEMBLY [2.EA]	43	2307045	MOTOR- DRIVE HOUSING HIGH SPD	80	2224700	INSERT- PLUG			
11	725-050	BRUSH RETENTION- PAPER TUBE	44	2307205	LATCH HANDLE PD/AP	82	2332102	SCREW-10-24 X 1-3/4			
12	738-036	BRUSH PLATE W/HOLDER	45	2302750	SPRING- LATCH TORSION PD/AP	83	2333101	NUT-HEX 10-24 NYLOC			
12G	640-305	GROUND WIRE 48"	46	2302607	PIN- DRIV-LOK GROOVE ZINC TYPE	84	2994014	CNTRL BRD/CMPSS ASSMBLY-AUTOPILOT			
	640-306	GROUND WIRE 54"	47	2305515	DECAL-STOW/DEPLOY	85	2302960	GROMMET-COMPASS [3.EA]			
	640-307	GROUND WIRE 60"	48	2305110	PAD-PIVOT SUPT [4.EA]	86	2300235	CONTROL BOX COVER			
13	975-040	SPRING - TORSION [2.EA]	49	2305103	PIVOT PAD [2.EA]	87	2304082	ACTUATOR- SWITCH ON/OFF A/P			
14	337-036	GASKET	50	2300500	PIN-LATCH	88	2302752	SPRING- ACTUATOR PD/AP SS			
15	701-008	O-RING, THRU-BOLT [2.EA]	51	2300510	PIN-PIVOT	89	2305661	DECAL- COVER 55PD/AP			
16	701-081	O-RING	52	2013100	NUT-SPEED [4.EA]		2305682	DECAL - COVER 55PD/AP/SONAR			
17	830-007	SCREW-8-32 [2.EA]	53	2303612	ROD-RELEASE RT/AP SS	90	2372100	SCREW-8-18 X 5/8 [4.EA]			
18	830-042	THRU-BOLT 10-32X8.83 [2.EA]	54	2302700	SPRING-RELEASE LEVER	■	2774700	FOOT PEDAL ASSEMBLY			
19	990-067	WASHER- STEEL THRUST	55	2303710	LEVER-RELEASE	91	2304511	FOOT PEDAL BASE			
20	990-070	WASHER - NYLATRON [2.EA]	56	2300101	RELEASE-KNOB	92	2308500	WEAR PLATE FOOT PDL			
21	2097094	MOTOR ASSEMBLY 12V 3.62 VARS F/W	57	2301700	SPACER-RELEASE LEVER	93	2304516	FOOT PEDAL-UPPER			
	2107090	MOTOR ASMBLY-SONAR 12V 3.62 VARS 48"	58	2303430	SCREW-1/4-20 X 5/8	94	2304520	FOOT PEDAL-LOWER			
	2107091	MOTOR ASMBLY-SONAR 12V 3.62 VARS 54"	59	2031522	COLLAR- DRIVE (W/INSERT)	95	2307210	LEVER MOM/CON-			
25	2032076	TUBE- COMPOSITE 54"	60	2011365	SCREW-COLLAR/NEW KNOB	96	2302730	SPRING-LONG-UPPER PEDAL [2.EA]			
	2032075	TUBE- COMPOSITE 48"	61	2304041	CONTROL BOARD ASSEMBLY- 12V PD/AP	97	2302731	SPRING-SHORT-UPPER PEDAL			
	2032077	TUBE - COMPOSITE 60"	62	2355410	SHRINK TUBE-1/2 ODX2 [2 EA]	98	2302732	SPRING-LOWER PEDAL			
■	1378131	PROPELLER KIT	64	2332100	SCREW-8-32 X 3/8 [3.EA]	99	2304012	CONTROL BOARD ASSEMBLY-FT PDL			
26	2091160	PROPELLER W/WEDGE 2	65	2090601	LEADWIRE IOGA 44"	100	2300120	KNOB-SPEED SELECTOR			
27	2151726	WASHER-5/16 SS	65A	2307310	BEAD - FERRITE (CE MODELS ONLY)	101	2300121	HOUSING SPEED SELECTOR			
28	2053101	NUT-PROP NYLOC	65B	2060310	FUSED GROUND WIRE	102	2302840	ACTUATOR-BOARD			
29	2092600	PIN-DRIVE	66	2020700	TERMINAL RING [2.EA]	103	2302841	ACTUATOR-MOM/CON			
30	2301545	COLLAR- LATCH PD/AP	67	2222906	STRAIN RELIEF- BRACKET PD/AP	105	2302842	ACTUATOR-STEERING			
31	2303434	SCREW- 8-32X5/8 MACH PHCR	68	2303430	SCREW-1/4-20 X 5/8	106	2302100	SCREW-6-20 X 1/2 [5.EA]			
32	2303112	NUT 8-32 NYLOC SS	69	2306555	HOUSING- CENTER PD/AP	107	2372100	SCREW-8-18 X 5/8 [5.EA]			

