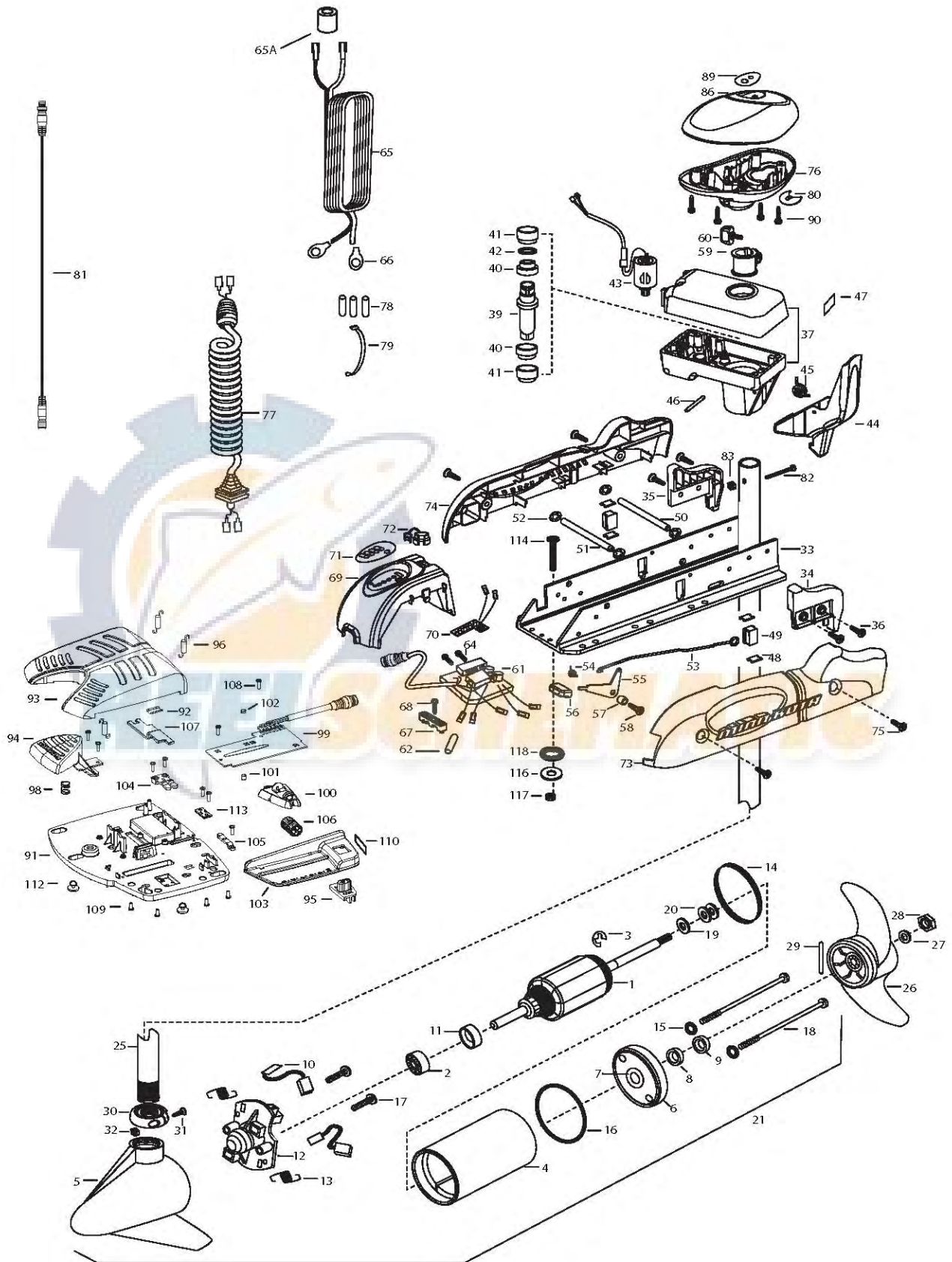


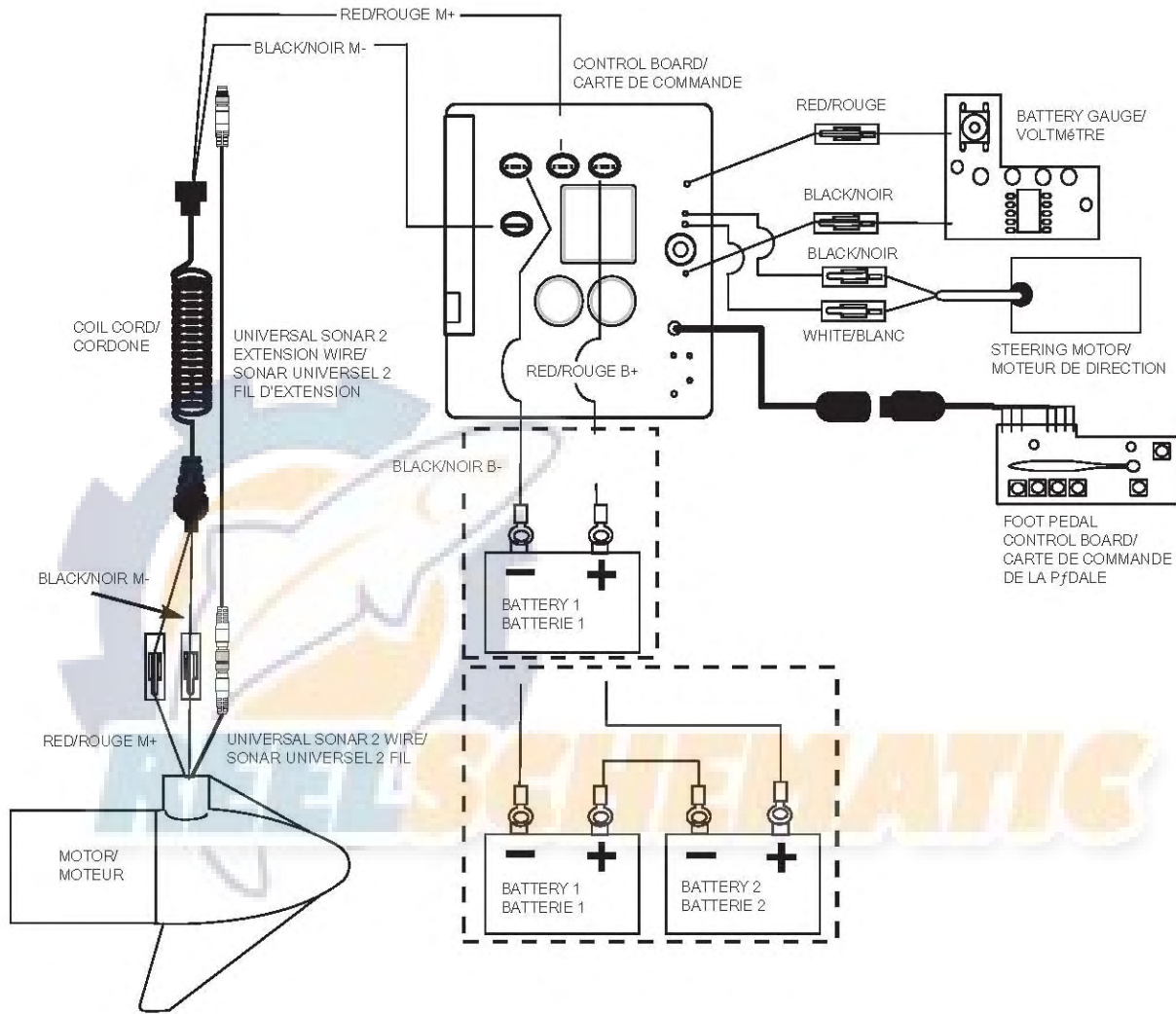
70PD V2
70 LBS THRUST
24 VOLT 42 AMPS
54" OR 60" SHAFT

for use with "AH" serial numbers
3-year warranty from the date of purchase



1	2-100-119	ARMATURE ASSEMBLY 24V VARS TXT	■	2882011	BUSHING/ OUTSHAFT KIT	77	2991280	COIL CORD WSTRAIN RELIEF 48, 54"	
2	140-010	BALL BEARING			(INCLUDES 39-42)		2991282	COIL CORD WSTRAIN RELIEF 60"	
3	788-015	RETAINING RING	*39	2302010	DRIVE HOUSING OUTPUT SHAFT	78	2065400	WIRE INSULATOR-LGE 1-3/4 [3.EA]	
4	2-200-005	HOUSING ASSEMBLY CENTER 3.62 TXT	*40	2307304	BUSHING- INNER [2.EA]	79	2256300	TIE WRAP-5" BLACK	
5	421-065	HOUSING -BRUSH END 3.62 TXT	*41	2307305	BUSHING- OUTER [2.EA]	80	2224702	INSERT- PLUG	
	9421-168	HOUSING - BRUSH END US2	*42	2304603	O-RING		2224700	INSERT- PLUG US2	
6	2-400-101	PLAIN END HOUSING ASSEMBLY 3.625	43	2307050	MOTOR- DRIVE HOUSING HIGH SPD	81	2211415	UNIVERSAL SONAR II EXTENSION CABLE	
7	144-049	BEARING - FLANGE (SERVICE ONLY)	44	2307201	LATCH HANDLE PD/AP	82	2033400	SCREW-10-24 X 1-3/4 PPH Z/P	
8	880-003	SEAL	45	2302750	SPRING- LATCH TORSION PD/AP	83	2013110	NUT-HEX 10-24 ZCP	
9	880-006	SEAL WITH SHIELD	46	2302627	PIN- ROLL ZINC	86	2300237	CONTROL BOX COVER- POWERDRIVE	
10	188-037	BRUSH ASSEMBLY [2.EA]	47	2305564	DECAL-STOW/DEPLOY	89	2315685	DECAL- COVER 70PD	
11	725-050	BRUSH RETENTION- PAPER TUBE	48	2305110	PAD-PIVOT SUPT [4.EA]		2315688	DECAL- COVER 70PD US	
12	738-036	BRUSH PLATE W/HOLDER	49	2305103	PIVOT PAD- NEW MTR'L [2.EA]	90	2012100	SCREW-8-18 X 5/8 THD CUT [4.EA]	
13	975-040	SPRING - TORSION [2.EA]	50	2300500	PIN-LATCH	■	2994725	FOOT PEDAL ASSEMBLY	
14	337-036	GASKET	51	2300510	PIN-PIVOT	91	2304505	FOOT PEDAL BASE	
15	701-008	O-RING, THRU-BOLT [2.EA]	52	2013100	NUT-SPEED [4.EA]	92	2308501	WEAR PLATE FOOT PDL	
16	701-081	O-RING	53	2303612	ROD-RELEASE RT/AP S	93	2300255	FOOT PEDAL, CORDED UPPER	
17	830-007	SCREW-8-32 [2.EA]	54	2302700	SPRING-RELEASE LEVER	94	2303723	BUTTON, MOMENTARY	
18	830-042	THRU-BOLT 10-32X8.83 [2.EA]	55	2303710	LEVER-RELEASE	95	2303722	BUTTON, MOM/CON	
19	990-067	WASHER- STEEL THRUST	56	2300101	RELEASE-KNOB	96	2302730	SPRING-LONG-UPPER PEDAL [3.EA]	
20	990-070	WASHER - NYLATRON [2.EA]	57	2301700	SPACER-RELEASE LEVER	98	2302732	SPRING-LOWER PEDAL	
21	2096031	MOTOR ASSEMBLY 24V 3.62 54"	58	2303430	SCREW-1/4-20 X 5/8	99	2304052	CONTROL BOARD ASSEMBLY-FT PDL	
	2096032	MOTOR ASSEMBLY 24V 3.62 60"	59	2031522	COLLAR- DRIVE (W/INSERT)	100	2308620	SLIDER, SPEED	
	2106035	MOTOR ASSEMBLY US2 24V 3.62 54"	60	2011365	SCREW-COLLAR/NEW KNOB	101	2308409	MAGNET, 1/4 X 1/4	
	2106036	MOTOR ASSEMBLY US2 24V 3.62 60"	61	2304047	CONTROL BOARD ASSEMBLY- 24V PD	102	2308408	MAGNET, 1/4 X 1/8	
25	2032076	TUBE-CARBON COMPOSITE 54"	62	2355410	SHRINK TUBE-3/8 ODX2	103	2300252	COVER, SPEED SELECTOR	
	2032074	TUBE-CARBON COMPOSITE 60"	64	2332100	SCREW-8-32 X 3/8 [2.EA]	104	2308606	SWITCH, DOUBLE FINGER	
■	1378131	PROPELLER KIT	65	2090651	LEADWIRE IOGA 44"	105	2308605	SWITCH, SINGLE FINGER	
26	2091160	PROPELLER W/WEDGE 2	65A	2307310	BEAD - FERRITE (CE MODELS ONLY)	106	2307900	WHEEL, SPEED	
27	2151726	WASHER-5/16 SS	66	2020700	TERMINAL RING [2.EA]	107	2308625	SLIDER, STEERING	
28	2053101	NUT-PROP NYLOC	67	2321310	STRAIN RELIEF- BRACKET PD/AP	108	2302100	SCREW-6-20 X 1/2 [9.EA]	
29	2092600	PIN-DRIVE	68	2303405	SCREW-1/4-20 X 5/8	2323405	109	2332103	SCREW-6.20 X 3/8 [4.EA]
30	2301545	COLLAR- LATCH PD/AP	69	2306555	HOUSING- CENTER PD/AP		110	2316600	DECAL, ON/OFF SWITCH
31	2303434	SCREW- 8-32X5/8 MACH PHCR	70	2074071	BATTERY GAUGE - 24 VOLT		112	2994859	BAG ASSEMBLY- 4 RUBBER BUMPERS
32	2303112	NUT 8-32 NYLOC SS	71	2316605	DECAL, BATTERY GAUGE		113	2302907	STRN RLF PD FP
33	2301934	EXTRUSION- BASE MACHINED	72	2302935	STRAIN RELIEF-DR. HOUSING	■	2994864	BAG ASSEMBLY- (BOLT,NUT,WASHERS)	
34	2303932	MOTOR REST- RIGHT 3-5/8	73	2303960	SIDEPLATE (RIGHT)PD MK	*114	2263462	BOLT-MOUNTING-1/4X2 W/STG [6.EA]	
35	2303937	MOTOR REST- LEFT 3-5/8	74	2303965	SIDEPLATE(LEFT)PD MK	*116	2261713	WASHER-1/4 [6.EA]	
36	2303430	SCREW 1/4-20X5/8 SELF TAP [4.EA]	75	2303430	SCREW-1/4-20 X 5/8- [4.EA]	*117	2263103	NUT NYLOK 1/4-20 MTG [6.EA]	
37	2771826	DRIVE HOUSING / LATCH HANDLE ASSY	76	2302515	CONTROL BOX PD/AP	*118	2301720	WASHER-MOUNTING RUBBER [6.EA]	

70PD is 24-volt!



NOTE:
 1. BATTERY 2 AND CONNECTING WIRE USED FOR 24V APPLICATIONS ONLY
 2. UNIVERSAL SONAR 2 WIRES APPLICABLE TO US2 MOTORS ONLY
NOTEZ :
 1. LA BATTERIE 2 DE CONNEXION LE FIL UTILISÉ POUR 24V LES APPLICATIONS SEULEMENT
 2. LE SONAR UNIVERSEL 2 FILS APPLICABLES AUX MOTEURS US2 SEULEMENT