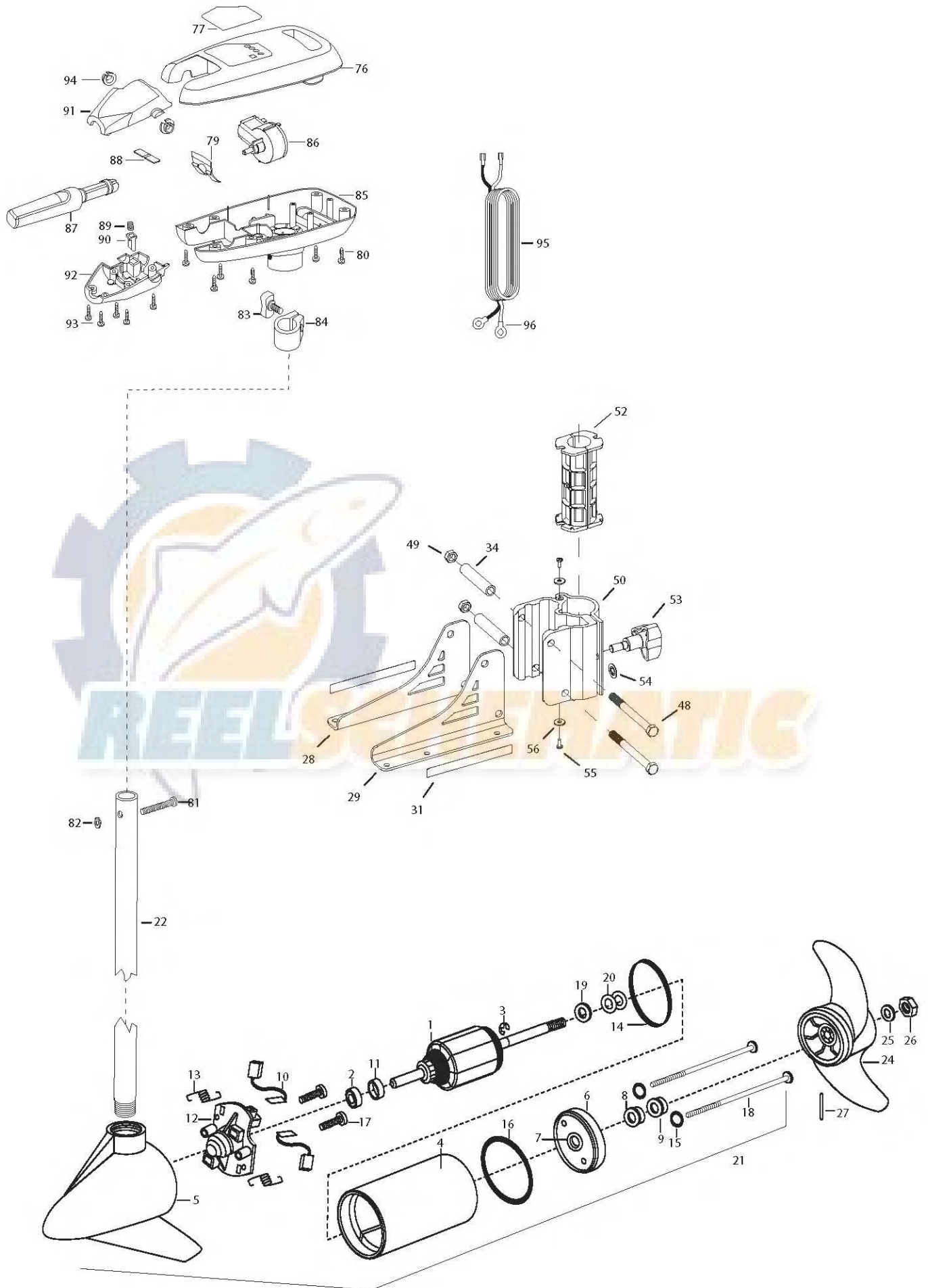


**70 Pontoon HIC**  
70 lbs Thrust  
24 Volt 42 Amps  
52" Shaft

for use with "AI" serial numbers  
2-year warranty from the date of purchase



1	2-100-119	ARMATURE ASSEMBLY 24V 3.625	52	2261537	HINGE-DOOR SLEEVE [2 EA.]
2	140-010	BEARING-BALL	53	2260905	KNOB-SOFT GRIP, L&D
3	788-015	RETAINING RING	54	2261728	WASHER-RETAINING 3/8"
4	2-200-005	CENTER HOUSING ASSEMBLY	55	2053415	SCREW #8-32 X 3/8" TRI [2 EA.]
5	2-300-139	BRUSH END HOUSING ASSEMBLY SPDCO	56	2261732	WASHER #8, NYLON [2 EA.]
6	2-400-101	PLAIN END HOUSING ASSEMBLY	76	2060285	COVER-CONTROL BOX
7	144-049	BEARING- FLANGE SERVICE ONLY	77	2265678	DECAL-COVER EDGE 70/H
8	880-003	SEAL	79	2302743	SPRING-DETENT HANDLE-TILT
9	880-006	SEAL-W/SHIELD	80	2303412	SCREW-6-20 X 5/8 SELF TAP [6.EA]
10	188-037	BRUSH ASSEMBLY [2.EA]	81	2033400	SCREW-10-24 X 1-3/4]
11	725-035	TUBE- BRUSH RETENTION	82	2013110	NUT-10-24 HEX (ZCP)
12	738-036	BRUSH PLATE WITH HOLDER	83	2011365	SCREW-COLLAR/NEW KNOB
13	975-040	SPRING- TORSION [2.EA]	84	2031520	COLLAR-DEPTH W/O INSERT
14	337-036	GASKET	85	2062551	CONTROL BOX PLAS W/HAND
15	701-008	O-RING THRU BOLT [2.EA]	86	2064023	SWITCH-FWD/REV 5SP
16	701-081	O-RING	87	2990912	HANDLE ASSEMBLY-W/U-JOINT 5SP
17	830-007	#8-32 SCREW [2.EA]	88	2302742	SPRING-DETENT OFF
18	830-008	THRU BOLT 10-32X8.83 [2.EA]	89	2302745	SPRING-RELEASE BUTTON
19	990-067	WASHER- STEEL THRUST	90	2303720	RELEASE BUTTON-HANDLE
20	990-070	WASHER-NYLATRON [2.EA]	91	2060408	HANDLE- TOP HALF
21	2096039	MOTOR ASSEMBLY 12V F/W 3.625 5SPCO	92	2060415	HANDLE- LOWER HALF
22	2032068	TUBE- COMPOSITE-52"	93	2303412	SCREW-6-20 X 5/8 SELF TAP [5.EA ]
■	1378131	PROPELLER KIT	94	2060005	BEARING-HANDLE PIVOT [2.EA ]
*24	2091160	PROPELLER- W/WEDGE 2	95	2090650	LEADWIRE -10 GA RINGS
*25	2151726	WASHER- 5/16 SS	96	2020700	TERMINAL RING, 3/8' [2.EA ]
*26	2053101	NUT-PROP NYLOC	■	2994838	BAG ASSEMBLY-BOLTS NUTS WASHERS
*27	2092600	PIN-DRIVE	*98	2263462	SCREW 1/4-20X2 SS [6.EA]
28	2261915	BRACKET, LEFT	*99	2261713	WASHER-1/4 FLAT 18-18 [6.EA]
29	2261916	BRACKET, RIGHT	*100	2263103	NUT- 1/4-20 NYLOC-JAM [6.EA]
31	2265689	DECAL, MINNKOTA [2 EA.]			
34	2261727	BRACKET SPACER [2 EA.]			2991715 PONTOON BRACKET ASSEMBLY
48	2263511	BOLT 3/8-16 X 4.0" [2 EA.]			
49	2263114	NUT-NYLOCK JAM 3/8-16 [2 EA.]			2888460 seal & oring kit
50	2991829	HINGE-DOOR-KNOB ASSEMBLY			

\* This item is part of an assembly. This item cannot be sold separately due to machining and /or assembly that is required.

24 VOLT  
MODELS  
ONLY

FIVE SPEED SWITCH  
INTERRUPTEUR A CING VITESSES

