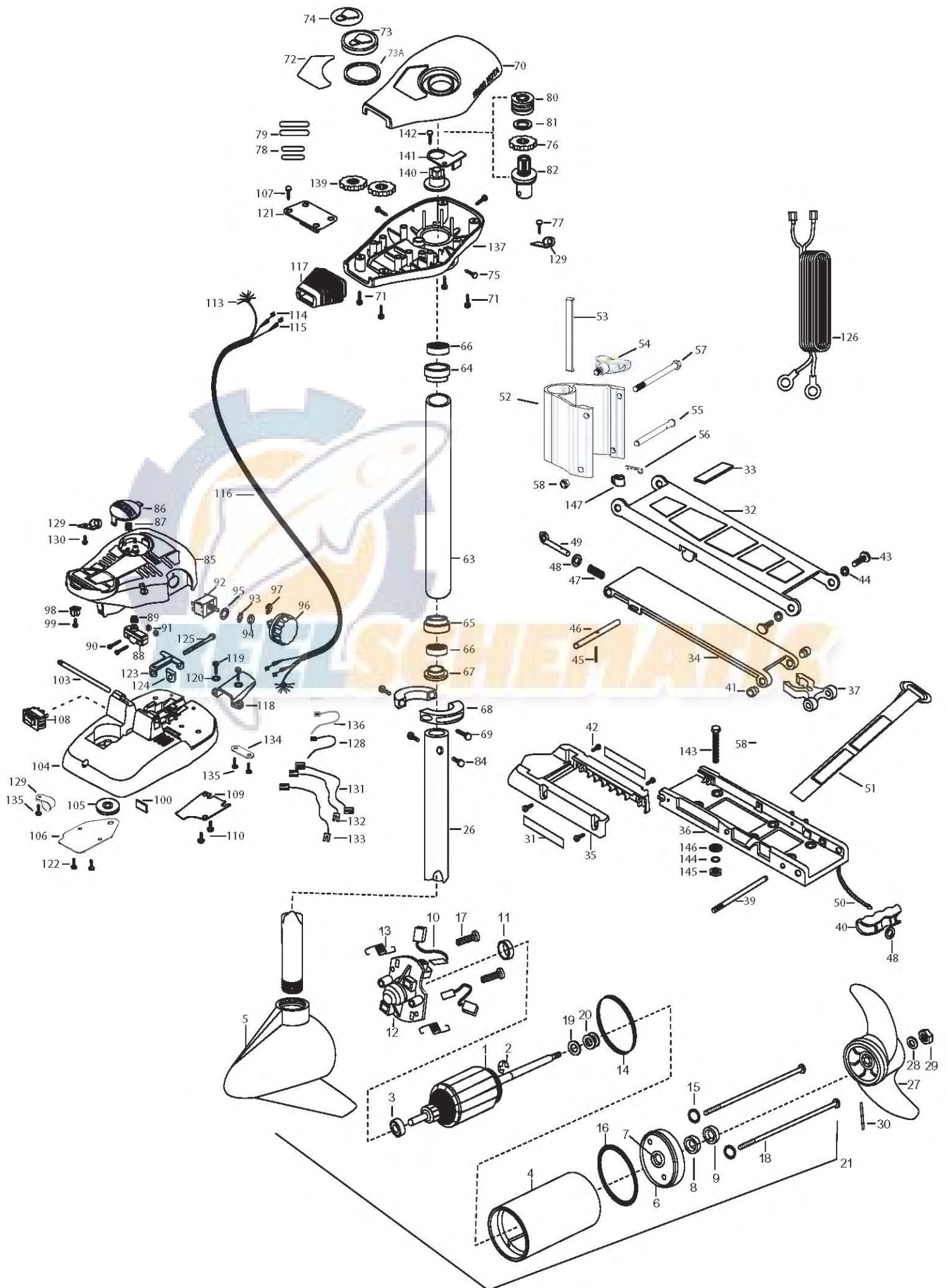


65AT
65 LBS THRUST
24 VOLT 42 AMPS
42", 48" AND 52"
SHAFT

for use with "AI" serial numbers
2-year warranty from the date of purchase



1	2-100-119	ARMATURE ASSEMBLY 24V 3.625 5SPC 65#	49	2153600	EYE SHAFT-CAD.PLATE	98	2260730	CONNECTOR 1/4 MALE TAB
2	788-015	RETAINING RING	50	2251601	ROPE- 40"	99	2332103	SCREW-6-20 X 3/8
3	140-010	BALL BEARING	51	2263805	VELCRO STRAP	100	2266413	TENSION SCREW PLATE FT PEDL
4	431-005	CENTER HOUSING ASSEMBLY 3.625 FW TXT	52	2261831	1 PIECE HINGE	103	2260511	PIN-PIVOT A/T FT PDL
5	2-300-039	BRUSH END HOUSING ASSEMBLY 3.62 SPCO	53	2268610	TENSION PLATE	104	2992104	FT PEDAL BASE/PIN ASSEMBLY SONAR
6	2-400-101	PLAIN END HOUSING ASSEMBLY	54	2050919	HANDLE TENSION	105	2262301	PULLEY- FOOT PEDAL
7	144-049	BEARING - FLANGE (SERVICE ONLY)	55	2262608	CLEVIS PIN	106	2266401	COVER-PULLEY STAMPING
8	880-003	SEAL	56	2260801	HAIR SPRING CLIP	107	2223430	SCREW-#8X 3/4 PPH TYPE 25 SS [4.EA]
9	880-006	SEAL WITH SHIELD	57	2383410	BOLT 3/8-16 X 6"	108	2254031	SWITCH-MOM/OFF/COM
10	188-037	BRUSH ASSEMBLY [2.EA]	58	9950153	NUT 3/8-16 NYLOC	109	2266412	SWITCH PLATE, FT PEDAL
11	725-050	BRUSH RETENTION- PAPER TUBE	■	2772015	TUBE W/BEARING RACE ASSEMBLY 18"	110	2332103	SCREW-6-20 X 3/8 THD [2.EA]
12	738-036	BRUSH PLATE W/HOLDER		2772012	TUBE W/BEARING RACE ASSEMBLY 21"	113	2261208	WIRE HARNESS, A/T FT. PED
13	975-040	SPRING - TORSION [2.EA]		2772016	TUBE W/BEARING RACE ASSEMBLY 24"	114	2267500	CABLE ASSEMBLY-RIGHT 5'
14	337-036	GASKET	63	2272066	TUBE OUTER-18" 4 HOLES	115	2267510	CABLE ASSEMBLY-LEFT 5'
15	701-008	O-RING, THRU-BOLT [2.EA]		2272066	TUBE OUTER-21" 4 HOLES	116	2265430	CABLE JACKET 5'
16	701-081	O-RING		2272067	TUBE OUTER-24" 4 HOLES	117	2265110	BOOT-CONTROL BOX
17	830-007	SCREW-8-32 [2.EA]	64	2266260	BEARING RACE	118	2265115	BOOT-FOOT PEDAL BASE
18	830-008	THRU-BOLT 10-32X9.2" [2.EA]	65	2266220	BEARING RACE-STEEL	119	2372100	SCREW-8-18 X 5/8 THD [2.EA]
19	990-067	WASHER- STEEL THRUST	66	2266000	BEARING BALL-STEEL [2.EA]	120	2261714	WASHER-MAXXUM FT PDL [2.EA]
20	990-070	WASHER - NYLATRON [2.EA]	67	2266115	BEARING CONE	121	2261901	BRACKET-CONDUIT AT/MAX
21	2096035	MOTOR ASSEMBLY 24V 3.625 5SPC FW	68	2261622	COLLAR HALF-ALUM.- [2.EA]	122	2301310	SCREW-8-18 X 1/2 [2.EA]
26	2032063	TUBE (COMP)W/CSK HOLE 42"	69	2263453	SCREW-1/4X20 X 3/4 SHCS SS [2. A]	123	2263210	BRACKET- CONDUIT ADJUSTMENT
	2032064	TUBE (COMP)W/CSK HOLE 48"	70	2260284	COVER-CTR BOX AT/FC BLK	124	2263104	NYLOCK KEEPER
	2032067	TUBE (COMP)W/CSK HOLE 52"	71	2372100	SCREW-8-18 X 5/8 THD [4.EA]	125	2263466	SCREW-1/4-20 X 2 STL PPH
■	1378131	PROPELLER KIT	72	2265659	DECAL 65 AT	126	2261235	LEADWIRE-BATTERY
27	2091160	PROPELLER	73	2260150	POINTER DISC TRNSLCNT RED	128	2256300	TIE WRAP-5.5" BLACK
28	2151726	WASHER- 5/16 SS	73A	2261733	WASHER-FOAM, INDICATOR	129	2263201	CLAMP WIRE HARNESS MICRO
29	2053101	NUT-PROP NYLOC	74	2265800	DECAL-INDICATOR	130	2332103	SCREW-6-20 X 3/8 THD
30	2092600	PIN-DRIVE SS	75	2053414	SCREW-8-32 X 1/2 TRI LOBE [3. EA]	131	2260301	CONNECTING WIRE -SWITCH
31	2265631	DECAL- MOTOR REST AT [2.EA]	76	2267800	GEAR-INDICATOR	132	2260312	WIRE,BLK W/WHT- 19 1/2
■	2771835	STD-BOWMT FW ASSY. AT 1 PC	77	2372100	SCREW-8-18 X 5/8 SS	133	2260322	WIRE,BLK W/BLUE -12"
32	2264221	ARM-UPPER,STD,FW	78	2375400	SHRINK TUBE-1/4OD X 1-3/4 [2. EA]	134	2263205	LEADWIRE CLAMP
33	2265120	BUMPER -UPPER ARM	79	2355410	SHRINK TUBE-3/8 OD X 2 [2. EA]	135	9953104	SCREW-8 X 1/2" SS
■	2774353	ARM-LOWER FW ASSEMBLY [INCL. 34,45,46,47,48,49,40,56]	80	2232360	PULLEY-CABLE DRUM	136	2256301	TIE WRAP 5.5 WHITE
34	2254353	ARM-LWR FW MCHD	81	2261730	WASHER-NYLON A/T	137	2262535	CONTROL BOX-PLASTIC
35	2263900	MOTOR REST	82	2996246	BEARING RACE/ PINION ASSEMBLY	139	2267800	GEAR-INDICATOR [2.EA]
36	2251922	BOW PLATE-D C MCHD	84	2263410	SCREW-8-32 X 5/16 ZN PL [2.EA]	140	2262220	INDICATOR-DRIVE
37	2293805	TUBE LOCK	85	2790002	FOOT PEDAL/PLUG ASSEMBLY AT	141	2261905	BRACKET/INDICATOR
39	2260506	HINGE-PIN HEADLESS ZINC [2.EA]	86	2263700	PUSH-BUTTON FOOT PEDAL	142	2301310	SCREW-8-18 X 1/2 (SS
40	2150400	PULL-GRIP	87	2302732	SPRING-LOWER PEDAL SS	■	2994838	BAG ASSEMBLY-(INCL143,144,145,146
41	2236000	BEARING NYLINER- [2.EA]	88	2264040	SWITCH MOMENTARY	*143	2263462	SCREW 1/4-20X2 SS [6.EA]
42	2303431	SCREW 1/4-20X5/8"PPH [4. EA]	90	2262114	SCREW-MOUNTING/SWITCH [2.EA]	*144	2261713	WASHER-1/4 FLAT 18-18 [6.EA]
43	2293511	BOLT-UPPER ARM W/LOCTITE [2.EA]	91	2233100	NUT-SWITCH MOUNT [2.EA]	*145	2263103	NUT- 1/4-20 NYLOC-JAM [6.EA]
44	2293500	BUSHING-SHOULDER UPPER ARM [4.EA]	92	2264026	SWITCH-S SPEED	*146	2301720	WASHER MOUNTING RUBBER [6. EA]
45	2152610	SPRING-PIN LOCKEAR	93	2261701	LOCKWASHER-STAR	147	2262310	GUIDE ROPE
46	2233600	LOCK BAR- BOW MOUNT	94	2263105	NUT-HEX			
47	2152700	SPRING-LOCKBAR CAD.PLT	95	2261715	SPACER-SWITCH 5 SP MODELS			
48	2151700	WASHER-EYE SHAFT .562 OD [2.EA]	96	2260170	KNOB-SPEED CONTROL 5SPD			
			97	2263000	E-RING TRU-ARC			

2888460 seal & oring kit

