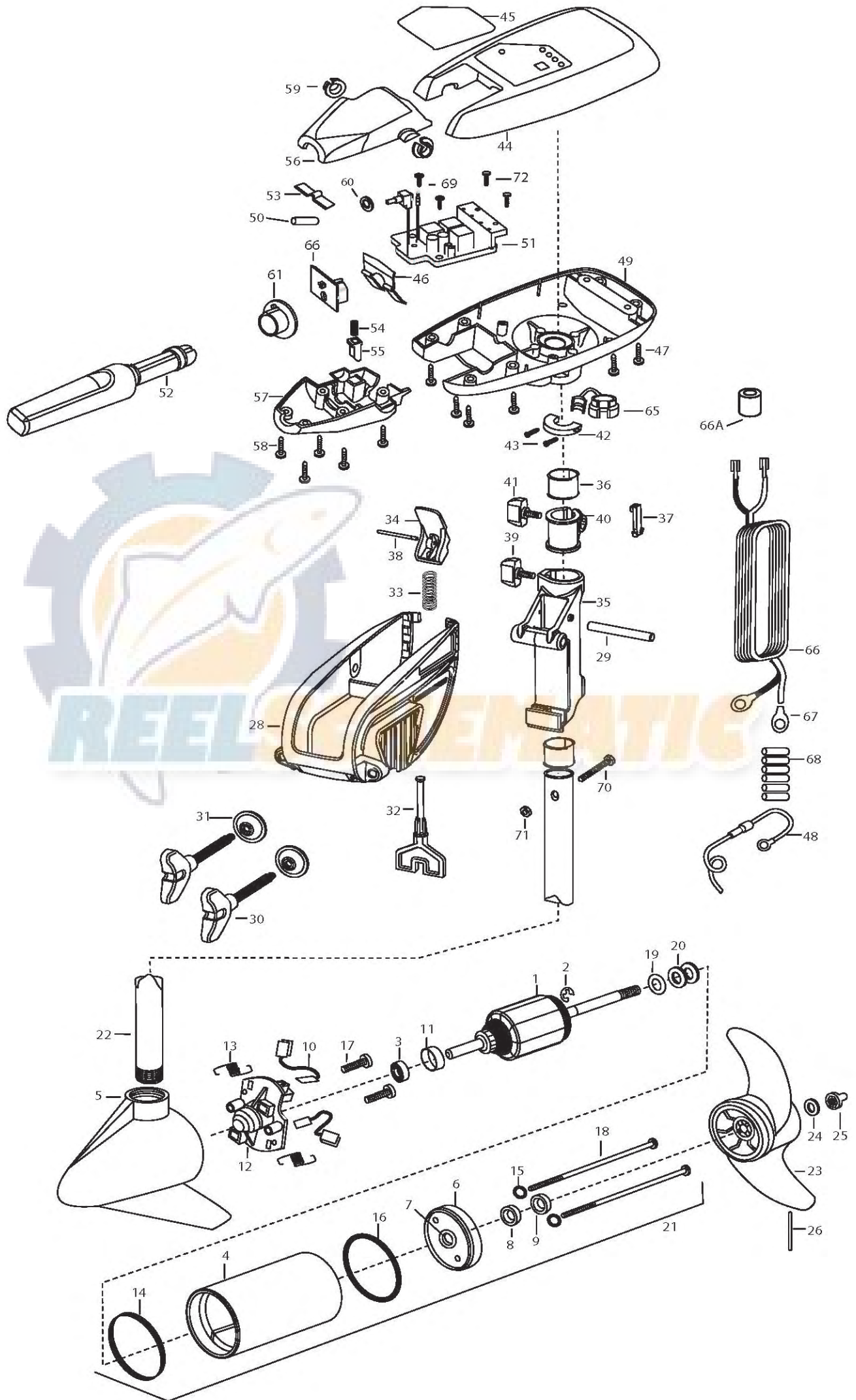


Riptide 55/T
55 LBS. THRUST
12 VOLT 50 AMP
36" OR 42" SHAFT

for use with "AI" serial numbers
3-year warranty from the date of purchase



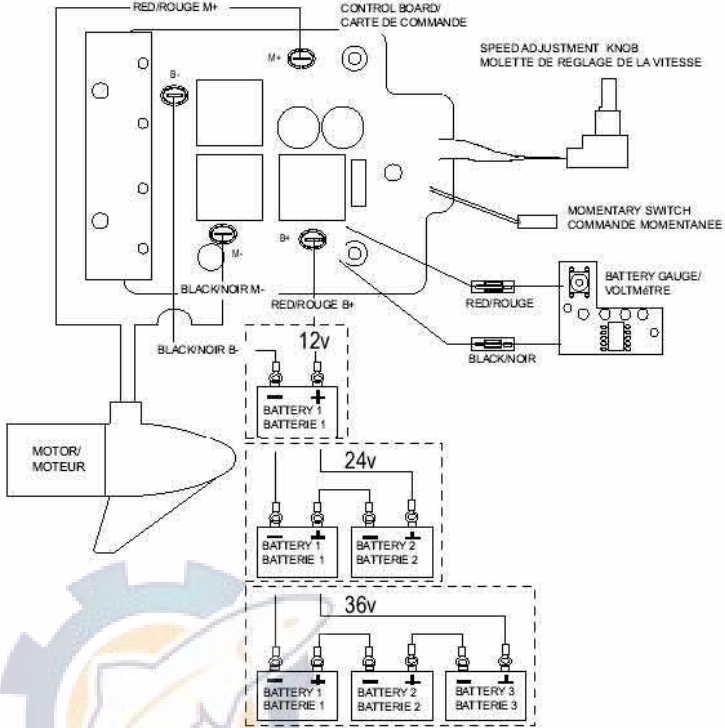
| | | | | | |
|----|-----------|-------------------------------------|-----|---------|-----------------------------------|
| 1 | 2-100-115 | ARMATURE ASSEMBLY12V 3.625 55# | 36 | 2037301 | BUSHING-HINGE [2.EA] |
| 2 | 788-015 | RETAINING RING | 37 | 2062800 | TENSION BLOCK- SNAP IN" [2.EA] |
| 3 | 140-010 | BEARING -BALL | 38 | 2060516 | PIN-TILT LEVER ENDURA |
| 4 | 2-200-301 | CENTER HOUSING ASSEMBLY 3.62 SW WHT | 39 | 2011386 | SCREW-TENSION/NEW KNOB |
| 5 | 421-336 | HOUSING BRUSH END 3.625 SW WH | 40 | 2061520 | COLLAR-DEPTH |
| 6 | 2-400-337 | PLAIN END HOUSING 3.625 S/W | 41 | 2011366 | SCREW-COLLAR/NEW KNOB SS [2.EA] |
| 7 | 144-049 | BEARING - FLANGE (SERVICE ONLY) | 42 | 2061517 | COLLAR-CTRL BOX WHITE |
| 8 | 880-003 | SEAL | 43 | 2263434 | SCREW-#8X1" PPH TYPE 25 SS [2.EA] |
| 9 | 880-006 | SEAL WITH SHIELD | 44 | 2300219 | COVER-CONTROL BOX RIPTIDE WHITE |
| 10 | 188-036 | BRUSH ASSEMBLY [2. EA] | 45 | 2095681 | DECAL-COVER RT55/S/B WHT |
| 11 | 725-050 | BRUSH RETENTION | 46 | 2302743 | SPRING-DETENT HANDLE-TILT |
| 12 | 738-036 | BRUSH PLATE W/HOLDER | 47 | 2303412 | SCREW- 6-20X5/8 SELF TAP [6.EA] |
| 13 | 975-040 | SPRING - TORSION [2.EA] | 48 | 2060310 | CONNECT'GROUND WIRE-FUSED |
| 14 | 337-036 | GASKET | 49 | 2062596 | CONTROL BOX,SW, WHT .725 BORE |
| 15 | 701-008 | O-RING [2. EA] | 50 | 2305410 | SHRINK TUBING |
| 16 | 701-081 | O-RING | 51 | 2184004 | CONTROL BOARD ASSEMBLY 12V |
| 17 | 830-007 | SCREW #8-32 [2.EA] | 52 | 2990915 | HANDLE ASSEMBLY W/O U-JOINT |
| 18 | 830-042 | THRU BOLT 10-32X8.83 [2. EA] | 53 | 2302742 | SPRING-DETENT (OFF) SS |
| 19 | 990-067 | WASHER - STEEL THRUST | 54 | 2302745 | SPRING-RELEASE BUTTON SS |
| 20 | 990-070 | WASHER - NYLATRON [2.EA] | 55 | 2303720 | RELEASE BUTTON-HANDLE |
| 21 | 2097096 | MOTOR ASSEMBLY 12V 3.625 VARS SW | 56 | 2060411 | HANDLE- TOP HALF MAXIMIZE |
| 22 | 2032031 | TUBE (COMPOSITE) 36" | 57 | 2060415 | HANDLE- LOWER HALF |
| | 2032032 | TUBE (COMPOSITE) 42" | 58 | 2303412 | SCREW- 6-20X5/8 SELF TAP [5.EA] |
| ■ | 1378131 | PROPELLER KIT | 59 | 2060005 | BEARING-HANDLE PIVOT [2.EA] |
| 23 | 2091160 | PROPELLER W/WEDGE 2 | 60 | 2181700 | WASHER SPACER |
| 24 | 2151726 | WASHER- 5/16 STD SS | 61 | 2992852 | ACTUATOR-CAM |
| 25 | 2198400 | ANODE-ZINC 3.25/3.625 LWR U | 62 | 2184020 | POT ADAPTER |
| 26 | 2092600 | PIN-DRIVE | 65 | 2052900 | STRAIN RELIEF-C.CORD/SP.C |
| ■ | 2771816 | BRACKET & HINGE ASSEMBLY ENDURA SW | 66 | 2090600 | LEADWIRE (10 GA) RINGS |
| ■ | 2771913 | BRACKET ASSY INC. 28, 30, & 31 | 66A | 2307310 | BEAD - FERRITE (CE MODELS ONLY) |
| 28 | 2061910 | BRACKET | 67 | 2020700 | TERMINAL RING, 3/8" [2.EA] |
| 29 | 2060511 | PIN-HINGE ENDURA SS | 68 | 2305401 | SHRINK TUBE- .374 X 1.50 [4 EA.] |
| 30 | 2061301 | SCREW-CLAMP ENDURA [2.EA] | 69 | 2043427 | SCREW- 8-18X7/8 THD SS [2.EA] |
| 31 | 2331700 | WASHER-CLAMP SCREW 1.5 OD [2.EA] | 70 | 2263406 | SCREW- 10-24X2 SS |
| 32 | 2063605 | T-BAR PLASTIC ENDURA | 71 | 2333101 | NUT-10-24 NYLOCK UNC-2B |
| 33 | 2062706 | SPRING- T-BAR ENDURA | 72 | 2043427 | SCREW- 8-18X7/8 THD SS [2.EA] |
| 34 | 2067201 | LEVER- TILT ENDURA BLACK | | | |
| 35 | 2061810 | HINGE- PLASTIC ENDURA | | | |

2888460 seal & oring kit

* This item is part of an assembly. This item cannot be sold separately due to machining and /or assembly that is required. p/n 2094911 REV. M 3-08

RipTide 55T is 12-volt only!

wiring diagram for control board #2184002:



wiring diagram for control board #2184004:

