

ENDURA 30

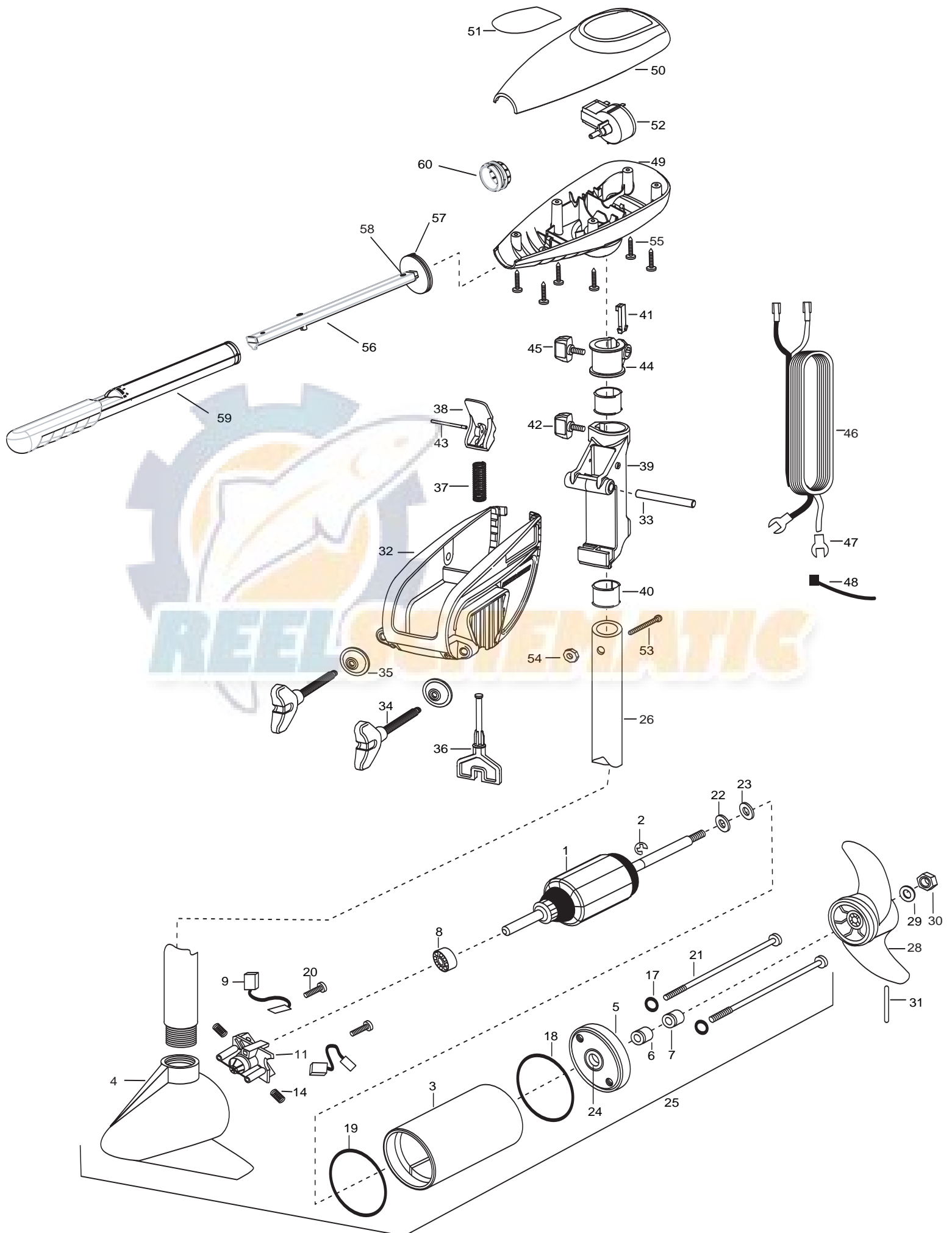
30 LBS THRUST

12 VOLT 30 AMPS

30" SHAFT

for use with "J" serial numbers

3-year warranty from the date of sale



|     |           |  |     |         |                               |
|-----|-----------|--|-----|---------|-------------------------------|
| 1   | 2-100-287 | ARMATURE ASSEMBLY 12v 3.25 FW 30#          | *34 | 2061300 | SCREW-CLAMP [2.EA]            |
| 2   | 788-015   | RETAINING RING                             | *35 | 2011710 | WASHER-CLAMP SCREW [2.EA]     |
| 3   | 2-200-188 | HOUSING ASSEMBLY CENTER 3.25 TXT           | 36  | 2063605 | T-BAR, PLASTIC                |
| 4   | 2-300-142 | BRUSH END HOUSING ASSEMBLY 3.25 SP.CO      | 37  | 2062706 | SPRING- (T-BAR)               |
| 5   | 2-400-187 | PLAIN END HOUSING ASSEMBLY 3.25            | 38  | 2067201 | LEVER-TILT BLACK              |
| 6   | 880-003   | SEAL                                       | 39  | 2061810 | HINGE-PLASTIC                 |
| 7   | 880-006   | SEAL W/SHIELD                              | 40  | 2037301 | BUSHING-HINGE [2.EA]          |
| 8   | 140-010   | BALL BEARING                               | 41  | 2062800 | TENSION BLOCK-SNAP IN         |
| 9   | 188-052   | BRUSH ASSEMBLY [2.EA]                      | 42  | 2011385 | SCREW, TENSION/KNOB           |
| 11  | 738-030   | BRUSH PLATE W/HOLDER 3.25                  | 43  | 2060515 | PIN, TILT LEVER               |
| 14  | 975-032   | SPRING- COMPRESSION [2.EA]                 | 44  | 2061520 | COLLAR-DEPTH                  |
| 17  | 701-007   | O-RING- THRU BOLT [2.EA]                   | 45  | 2011365 | SCREW-COLLAR/NEW KNOB         |
| 18  | 701-039   | O-RING MK406460                            | 46  | 2020606 | LEADWIRE (14 GA) W/SPADE TERM |
| 19  | 701-041   | O-RING                                     | 47  | 2020703 | SPADE TERMINAL 14GA HD [2.EA] |
| 20  | 830-001   | SCREW- SELF THREAD 8-32X1.7 [2.EA]         | 48  | 2026300 | TIE WRAP                      |
| 21  | 830-062   | THRU BOLT 8-32X8.0 [2.EA]                  | 49  | 2062510 | CONTROL BOX                   |
| 22  | 990-067   | WASHER- STEEL THRUST                       | 50  | 2060214 | CONTROL BOX COVER             |
| 23  | 990-070   | WASHER- NYLATRON [2.EA]                    | 51  | 2065638 | DECAL COVER ENDURA 30         |
| 24  | 144-049   | FLANGE BEARING (SERVICE ONLY)              | 52  | 2064023 | SWITCH-FWD/REV 5 SP           |
| 25  | 2069270   | MOTOR ASSEMBLY 12V 3.25 5SPC TXT           | 53  | 2033401 | SCREW-10-24 X 1-3/4           |
| 26  | 2032045   | TUBE, COMPOSITE 30"                        | 54  | 2013110 | NUT-10-24 HEX                 |
| ■   | 1378121   | PROP W/DRIVE PIN, WASHER, NUT KIT          | 55  | 2012100 | SCREW-8-18 X 5/8 [6.EA]       |
| 28  | 2061122   | PROPELLER 3.25 HUB DIA                     | 56  | 2990919 | INNER HANDLE ASSEMBLY         |
| 29  | 2151726   | WASHER- 5/16 STD SS                        | 57  | 2060405 | PIVOT, HANDLE                 |
| 30  | 2053101   | NUT-PROP NYLOCK (MED) SS                   | 58  | 2012102 | SCREW                         |
| 31  | 2092600   | PIN-DRIVE                                  | 59  | 2990929 | OUTER HANDLE ASSEMBLY         |
| ■   | 2771818   | BRACKET & HINGE ASSEMBLY (INCLUDES- 32—43) | 60  | 2060009 | FRONT BEARING                 |
| ■   | 2771910   | BRACKET ASSEMBLY (INCLUDES- 32,34,35)      | ■   | 2883460 | SEAL AND O RING KIT           |
| *32 | 2061910   | BRACKET                                    |     |         |                               |
| 33  | 2060510   | PIN-HINGE                                  |     |         |                               |

\* This item is part of an assembly. This item cannot be sold separately due to machining and /or assembly that is required.

