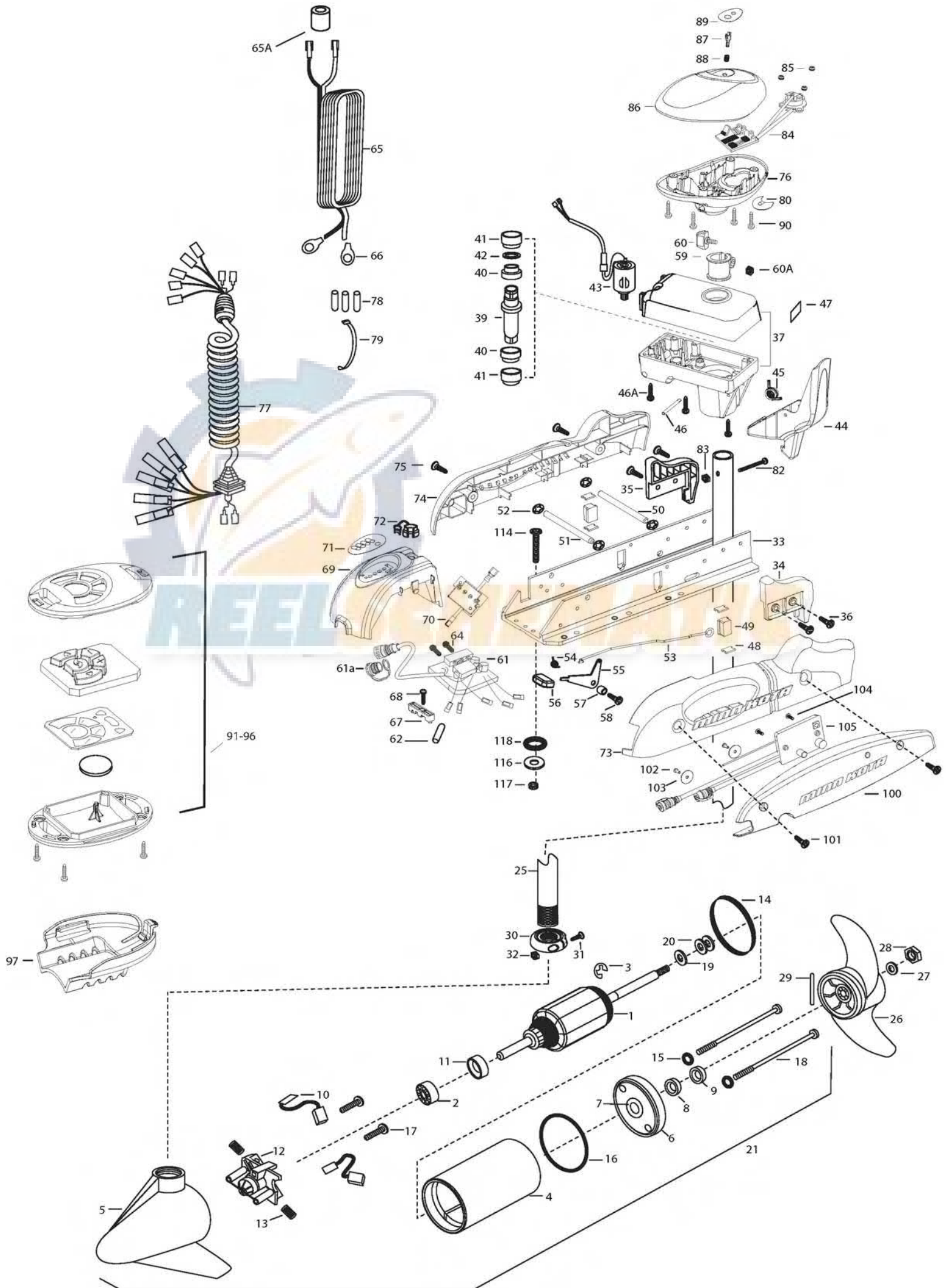


RipTide 55 SP/AP
55 LBS THRUST
12 VOLT 55 AMPS
48" SHAFT

for use with "J" serial numbers
3-year warranty from the date of purchase



1	2-100-117 ARMATURE ASSEMBLY 12V VARS TXT	*40	2307304 BUSHING- INNER [2.EA]	79	2256300 TIE WRAP-5" BLACK
2	140-010 BALL BEARING	*41	2307305 BUSHING- OUTER [2.EA]	80	2224703 INSERT- PLUG WHITE
3	788-015 RETAINING RING	*42	2304603 O-RING	82	2332102 SCREW-10-24 X 1-3/4
4	2-200-301 HOUSING ASSEMBLY CENTER 3.62 TXT	43	2307050 MOTOR- DRIVE HOUSING HIGH SPD	83	2333101 NUT-HEX 10-24 NYLOC
5	421-336 HOUSING -BRUSH END 3.62 TXT	44	2307201 LATCH HANDLE PD/AP	84	2994014 CNTRL BOARD/AP COMPASS ASSEMBLY
6	2-400-337 PLAIN END HOUSING ASSEMBLY 3.625	45	2302750 SPRING- LATCH TORSION PD/AP	2994015	COMPASS BOARD, SOUT HEMISPHERE
7	144-049 BEARING - FLANGE (SERVICE ONLY)	46	2302628 PIN- ROLL 3/16X2 SS	85	2302960 GROMMET-COMPASS [3.EA]
8	880-003 SEAL	46A	2303405 SCREW - DRIVE HOUSING [6 EA]	86	2300243 CONTROL BOX COVER- RIPTIDE WHITE
9	880-006 SEAL WITH SHIELD	47	2305564 DECAL-STOW/DEPLOY	87	2304082 ACTUATOR- SWITCH ON/OFF A/P
10	188-036 BRUSH ASSEMBLY [2.EA]	48	2335110 PAD-PIVOT SUPT [4.EA]	88	2303752 SPRING- ACTUATOR PD/AP SS
11	725-050 BRUSH RETENTION- PAPER TUBE	49	2305103 PIVOT PAD- NEW MTR'L [2.EA]	89	2305655 DECAL- COVER 55 pd/ap
12	738-036 BRUSH PLATE W/HOLDER	50	2330510 PIN-LATCH PD BASE SS	90	2372100 SCREW-8-18 X 5/8 THD CUT [4.EA]
13	975-040 SPRING - TORSION [2.EA]	51	2330520 PIN-PIVOT PD BASE SS		
14	337-036 GASKET	52	2333100 NUT-SPEED [4.EA]	■	2994020 COPILOT TRANSMITTER
15	701-008 O-RING, THRU-BOLT [2.EA]	53	2303612 ROD-RELEASE RT/AP S	91	CASE, COVER, TRANSMITTER
16	701-081 O-RING	54	2322700 SPRING-RELEASE LEVER	92	KEYPAD
17	830-007 SCREW-8-32 [2.EA]	55	2333705 LEVER-RELEASE SS	93	CIRCUIT BOARD, TRANSMITTER
18	830-042 THRU-BOLT 10-32X8.83 [2.EA]	56	2300101 RELEASE-KNOB	94	BATTERY, COIN
19	990-067 WASHER- STEEL THRUST	57	2301700 SPACER-RELEASE LEVER	95	CASE, BOTTOM, TRANSMITTER
20	990-070 WASHER - NYLATRON [2.EA]	58	2332104 SCREW-1/4-20 X 5/8 SS	96	SCREW, TRANSMITTER [4EA]
21	2097095 MOTOR ASSEMBLY 12V 3.62 48"	59	2031522 COLLAR- DRIVE (W/INSERT)	97	2371990 ROD MOUNT
	2097100 MOTOR ASSEMBLY 12V 3.62 60"	60	2011366 SCREW-COLLAR/NEW KNOB SS	■	2994089 RECEIVER ASSEMBLY V2, COPILOT
25	2032021 TUBE- COMPOSITE WHT 48"	60A	2323104 NUT	100	2372511 CASE, RECEIVER WHT
	2032022 TUBE- COMPOSITE WHT 54"	61	2304057 CONTROL BOARD ASSEMBLY- 12V PD	101	2373442 SCREW 1/4-20 X 1.75 SS [2EA]
	2032025 TUBE- COMPOSITE WHT 60"	61a	2320208 DUST PLUG	102	2373450 SCREW #8 X 3/8 [2EA]
■	1378131 PROPELLER KIT	62	2355403 SHRINK TUBE-3/8 ODX2	103	2371727 WASHER [2EA]
26	2091160 PROPELLER W/WEDGE 2	64	2303434 SCREW-8-32 X 5/8 [3.EA]	104	2373418 SCREW #8 X 5/8 SS
27	2151726 WASHER-5/16 SS	65	2090651 LEADWIRE IOGA 44"	105	2374089 CIRCUIT BOARD V2, RECEIVER
28	2198400 ANODE- ZINC 3.25/3.625 LWR U	65A	2307310 BEAD - FERRITE (CE MODELS ONLY)	■	2994864 BAG ASSEMBLY- (BOLT,NUT,WASHERS)
29	2092600 PIN-DRIVE	66	2020700 TERMINAL RING [2.EA]	*114	2263462 BOLT-MOUNTING-1/4X2 W/STG [6.EA]
30	2301545 COLLAR- LATCH PD/AP	67	2321310 STRAIN RELIEF- BRACKET PD/AP	*116	2261713 WASHER-1/4 [6.EA]
31	2303434 SCREW- 8-32X5/8 MACH PHCR	68	2323405 SCREW-1/4-20 X 5/8 SS	*117	2263103 NUT NYLOK 1/4-20 MTG [6.EA]
32	2303112 NUT 8-32 NYLOC SS	69	2306556 HOUSING- CENTER PD/AP WHIT	*118	2301720 WASHER-MOUNTING RUBBER [6.EA]
33	2301937 EXTRUSION- BASE MACHINED	70	2074080 BATTERY GAUGE - 12 VOLT		
34	2303932 MOTOR REST- RIGHT 3-5/8	71	2316606 DECAL- BATT GAUGE H RT AP	■	2888460 SEAL & ORING KIT
35	2303937 MOTOR REST- LEFT 3-5/8	72	2302935 STRAIN RELIEF-DR. HOUSING		
36	2332104 SCREW 1/4-20X5/8 SS SELF TAP [4.EA]	73	2303944 SIDEPLATE (RIGHT) WHITE		
37	2771827 DRIVE HOUSING / LATCH HANDLE WHITE	74	2303949 SIDEPLATE(LEFT) WHITE		
■	2882011 BUSHING/ OUTSHAFT KIT (INCLUDES 39-42)	75	2332104 SCREW-1/4-20 X 5/8 SS		
*39	2302010 DRIVE HOUSING OUTPUT SHAFT	76	2302516 CONTROL BOX WHT		
		77	2991285 COIL CORD WSTRAIN RELIEF 48, 54"		
		78	2065400 WIRE INSULATOR-LGE 1-3/4 [3.EA]		

RipTide 55 is 12-volt only!

