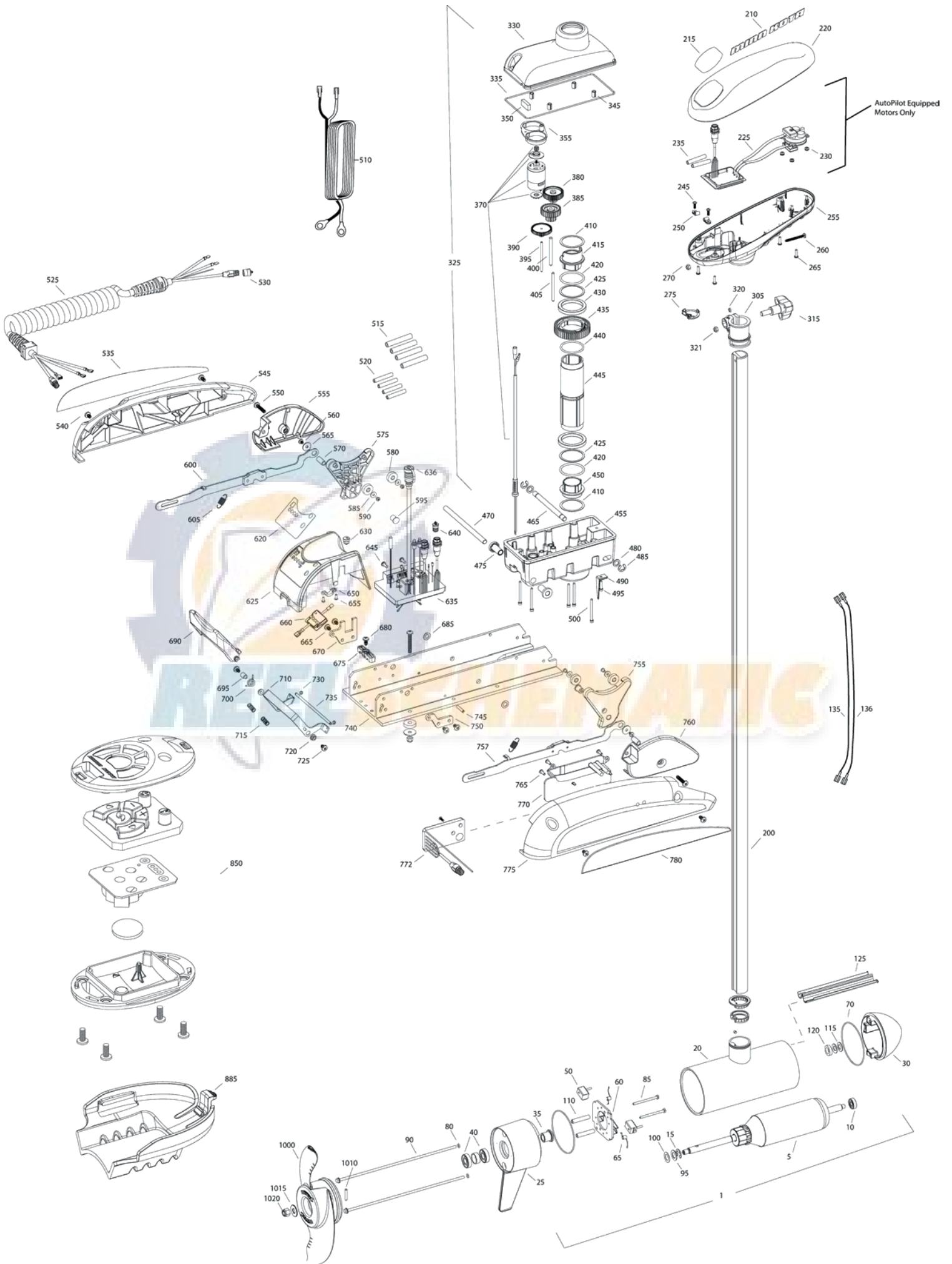


**Riptide 101 ST**  
**101 LBS THRUST**  
**36 VOLT 46 AMPS**  
**54" OR 60" SHAFT**

**for use with "J" serial numbers**  
**3-year warranty from the date of sale**



Item	P/N	Description	Qty	Item	P/N	Description	Qty	Item	P/N	Description	Qty	Item	P/N	Description	Qty
1	2777077	36V Motor 60" SW	1	380	2302255	Gear, cluster 3rd stage	1	660	2074082	Battery meter, 36v	1				
	2777076	36V Motor 54" SW	1	385	2302250	Gear, cluster 2nd stage	1	665	2323402	Screw, 1/4-20 x .375	4				
5	2-100-216	Armature assembly	1	390	2302245	Gear, cluster 1st stage	1	670	2321941	Bracket, strain relief	1				
10	140-010	Bearing	1	395	2302610	Shaft, gear 1st stage	1	675	2321310	Strain relief, wire	1				
15	788-040	Retaining ring	1	400	2302620	Shaft, gear 3rd stage	1	680	2323405	Screw, 1/4-20 x .5	1				
20		Included in #200 assembly		405	2302615	Shaft, gear 2nd stage	1	685	2333100	Speed nut, .375	2				
25	2-300-370	Brush end housing assembly	1	410	2321704	Washer, thrust	2	690	2320216	Handle, release cover	1				
30	421-376	Plain end housing assembly SW	1	415	2321515	Liner, output tube	1	695	2301700	Bushing,	1				
35	144-017	Flange bearing	1	420	2324608	O-ring, 224	2	700	2322701	Spring, release handle	1				
40	880-025	Seal	2	425	2321720	Shim, O-ring	2	710	2320401	Handle, release SW	1				
50	188-094	Brush	2	430	2327308	Bearing, ball sealed	2	715	2322712	Spring, release handle	2				
60	2-600-199	Brush plate assembly	1	435	2322200	Gear, output	1	720	2322604	Bushing, handle	2				
65	975-041	Brush spring	2	440	2324601	O-ring, output gear	1	725	2332104	Screw, 1/4-20 x .625	2				
70	701-043	O-ring, motor	2	445	2322030	Tube, output machined	1	730	2323000	E-clip, 3/16, SS	2				
80	701-009	O-ring, thru-bolt	2	450	2321510	Collar, drive, bottom	1	735	2322607	Pin, follower, handle	1				
85	830-027	Screw, 10-32 x 2	2	455	2326507	Steering housing, Bottom	1	740	2321902	Base extrusion, machined	1				
90	830-096	Thru-bolt	2	460	2320605	Leadwire, Steering	1	745	2322912	Spring pin,	2				
95	990-051	Washer, steel	2	465	2322601	Pin, latch, SS	1	750	2321951	Bracket, sideplate	1				
100	990-052	Washer, nylatron	2	470	2322603	Pin, pivot, SS	1	755	2323900	Ramp, 4" right	1				
110	973-025	Spacer, brush plate	2	475	2327310	Bushing, pivot pin	2	757	2994201	Arm, release, Right	1				
115	992-010	Washer, Belleville	2	480	2321702	Washer, flat .375	2	760	2321920	Skid, right	1				
120	990-045	Spacer, thrust	1	485	2263011	E-ring .375	2	765	2301310	Screw, 8-18 x .5	3				
125	582-013	Clip, retaining, short	1	490	2322702	Spring, latch pin	2	770	2370221	Cover, access, SW	1				
135	640-025	Leadwire, black	1	495	2323410	Screw, 8-32 x .75	1	772	2374090	Copilot Receiver Board	1				
136	640-133	Leadwire, red	1	500	2323408	Screw, 8-32 x 2	7	775	2321911	Sideplate, right, SW	1				
200	2777315	Tube, composite 60" SW	1	510	2090651	Leawire, 10 ga	1	780	2325642	Decal, sideplate, right	1				
205		Included in #200 assembly		525	2991273	Coil cord, 45"	1								
210	2325666	Decal, cover	2		2991271	Coil cord, 54"	1	850	2994095	Remote assembly	1				
215	2325684	Decal, ctrl box 101 RT Autopilot	1	530	2320202	Cap, dust, coil cord, non-AP only	1	851		Case, cover, transmitter	1				
220	2320201	Cover, ctrl box	1	535	2325643	Decal, sideplate, left	1	860		Keypad, transmitter	1				
225	2324030	Ctrl board, compass, Autpilot only	1	540	2323405	Screw, 1/4-20	4	865		Transmitter board	1				
230	2302960	Grommet, compass, Autopilot only	3	545	2321916	Sideplate, left	1	870		Battery, transmitter	1				
235	2305415	Wire insulator	2	550	2263427	Screw, 1/4-20 x 1.25 SS	2	875		Case, bottom, transmitter	1				
245	2372100	Screw, 8-18 x .625	3	555	2321925	Skid, left	1	880		Screw, 4-24	4				
250	2052510	Cable clamp	3	560	2323422	Screw, 10-24 x .375	2	885	2371990	Mount, co-Pilot	1				
255	2322501	Ctrl box	1	565	2321700	Washer, #10 SS	2								
260	2332102	Screw, 10-24	1	570	2327306	Bushing, pivot	2	■	1378132	Propeller kit WW2					
265	2372100	Screw, 8-18 x .625	4	575	2323905	Ramp, 4" left	1	■	2994876	Propeller bag assy					
270	2333101	Nut, 10-24	1	580	2325117	Pad, rubber rest	4	1000	2331160	Propeller WW2	1				
275	2224702	Plug, ctrl box	1	585	2321706	Washer, #8	4	1010	2262658	Drive pin, large	1				
305	2771500	Depth collar assembly	1	590	2323412	Screw, 8-18 x .25	4	1015	2091701	Washer, prop, large	1				
315	2260906	Knob (included in #305)	1	595	2324706	Insert, ramp	2	1020	2198401	Nut, Anode, nylock, prop, large	1				
320	2321706	Washer (included in #305)	1	600	2994203	Arm, release, left	1								
321	2323102	Nut (included in #305)	1	605	2322710	Spring, extension	2	■	2994864	Mounting hardware bag assy					
325	2997026	Steering housing	1	■	2770251	Cover, speed control with decal	1								
330	2326502	Steering housing top	1	620	2325651	Decal, speed control	1	■	2889460	Seal & Oring Kit					
335	2324604	O-ring, case seal	1	625	2320211	Cover, speed control	1								
345	2305605	Roll pin 5/16	4	630	2322901	Strain relief	1								
350	2308601	Breather, filter	1	635	2324012	Control board, 24-36v	1								
355	2328610	Cradle, motor	1	636	2320208	Dust plug	1								
360	2302240	Pinion gear	1	640	2320203	Cap, dust, control board	1								
365	2300265	Cap, motor, plastic	1	645	2323406	Screw, 10-24 x	2								
370	2777025	Motor, steering, 36V	1	650	2321315	Holder, connector	1								
				655	2332103	Screw, 6-20 x .375	2								

\* This item is part of an assembly. This item cannot be sold separately due to machining and /or assembly that is required.

P/N 2324942

REV. Q ECN# 31442

4-09

# RipTide 101 is 36-volt only!

