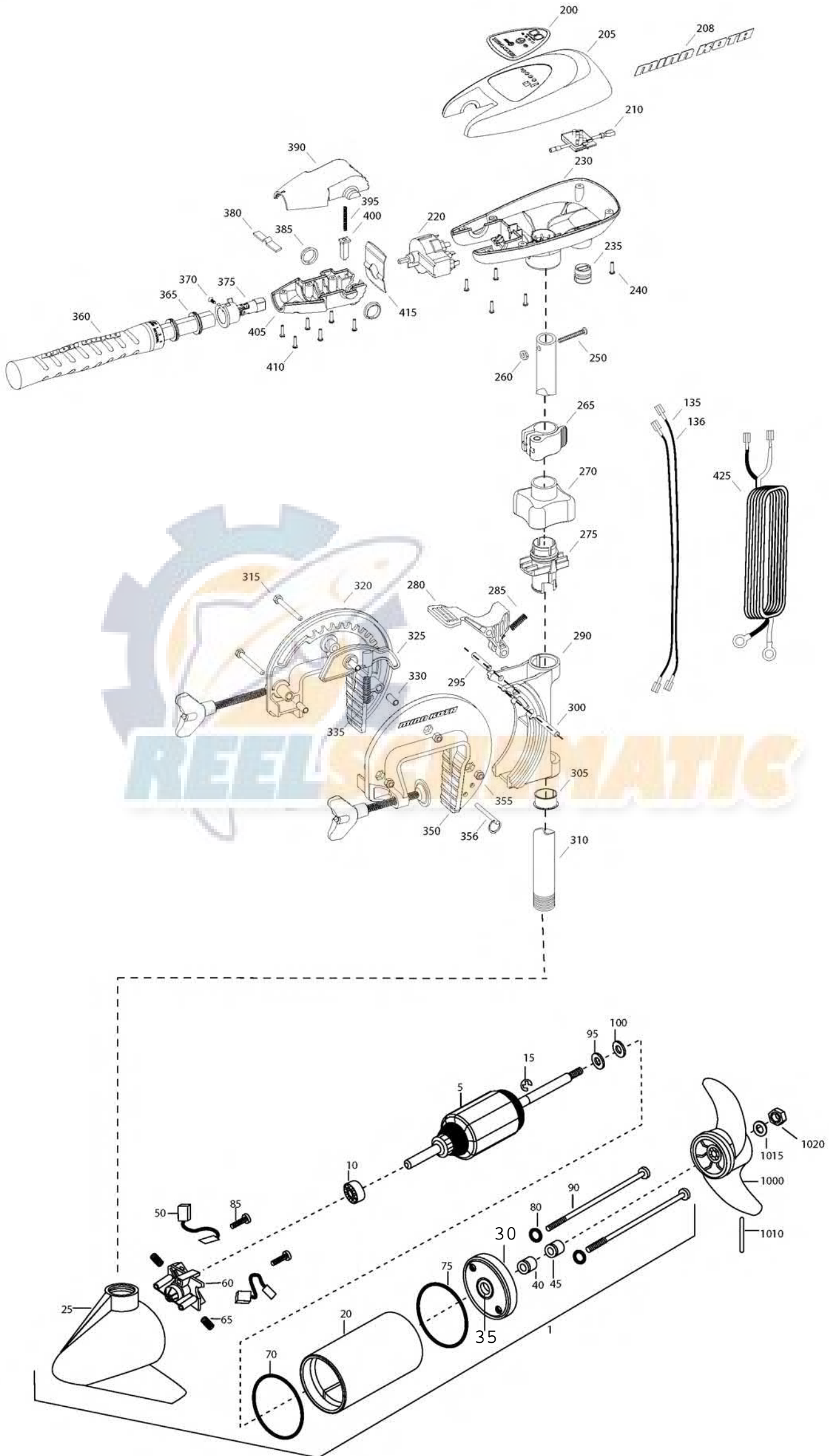


TRAXXIS 45 SC
45 LBS THRUST
12 VOLT 42 AMPS
36" SHAFT

for use with "K" serial numbers
2-year warranty from the date of purchase



Item	P/N	Description	Qty	Item	P/N	Description	Qty	Item	P/N	Description	Qty	Item	P/N	Description
1	2069250	12V Motor 36" FW	1	355	2263104	Nut, 1/4-20, nylock, Zinc	3							
5	2-100-202	Armature assembly	1	356	2062604	Pin, stop	1							
10	140-010	Bearing	1											
15	788-015	Retaining ring	1	■	2990956	Handle assy, SC [360-410]	1							
20	2-200-079	Center housing assembly	1	360	2990451	Grip/handle assy, SC [360-375]	1							
25	2-300-132	Brush end housing assembly	1	365	2060015	Bearing, handle	2							
30	2-400-187	Plain end housing assembly	1	370	2063405	Screw, #6 PFH SS	1							
35	144-049	Flange bearing	1	375	2884091	Yoke / spider assy, 5SPD	1							
40	880-003	Seal	1	380	2302742	Spring, detent, off	1							
45	880-006	Seal with shield	1	385	2060005	Bearing, handle pivot	2							
50	188-052	Brush	2	390	2060900	Handle pivot, top	1							
55	N/A			395	2302745	Spring, release button	1							
60	738-030	Brush plate assembly	1	400	2063700	Button, release	1							
65	975-032	Brush spring	2	405	2060905	Handle pivot, bottom	1							
70	701-041	O-ring, motor, front	1	410	2303412	Screw, #6 x 5/8 SS	6							
75	701-039	O-ring, motor, rear	1											
80	701-007	O-ring, thru-bolt	2	415	2062715	Spring, handle pivot	1							
85	830-001	Screw, 8-32	2	425	2992524	Leadwire assy, includes [235]	1							
90	830-078	Thru-bolt	2											
95	990-067	Washer, steel	2	■	1378121	Propeller kit								
100	990-070	Washer, nylatron	2	1000	2061122	Propeller	1							
135	640-001	Leadwire, black	1	1010	2092600	Drive pin, small	1							
136	640-111	Leadwire, red	1	1015	2151726	Washer, prop, small	1							
■	2883460	Seal and O-ring Kit		1020	2053101	Nut, nylock, prop, small	1							
200	2065678	Decal, c-box cover	1											
205	2060295	C-box cover	1											
208	2325665	Decal - MinnKota	2											
210	2074070	Battery meter, 12v FW	1											
220	2064023	Switch 5 speed	1											
230	2062505	Control box, 5 SPD, FW	1											
235	2062905	Strain relief	1											
240	2303412	Screw, #6 x 5/8 SS	6											
250	2383407	Screw, #10-24 x 2 SS	1											
260	2383124	Nut, 10-24, nylock, SS	1											
265	2991521	Cam lock/depth collar assy	1											
■	2991795	Bracket assy, Composite [270-356]	1											
270	2060100	Knob, steering tension, soft	1											
275	2068400	Collet	1											
280	2064200	Lock arm	1											
285	2062701	Spring, lock arm	1											
290	2061821	Hinge	1											
295	2062602	Pin, lock, Zinc	1											
300	2062602	Pin, lock, Zinc	1											
305	2037301	Bushing, hinge	1											
310	2032052	Tube 36"	1											
315	2063500	Bolt 1/4-20 x 2 3/8", Zinc	3											
320	2771950	Bracket, right, FW	1											
325	2067905	Cam deactivator	1											
330	2067306	Bushing, dowel 1/4 x 1/2	3											
335	2062700	Spring, cam deactivator	1											
■	2881380	Clamp screw kit	2 per kit											
350	2771955	Bracket, left, FW	1											

* This item is part of an assembly. This item cannot be sold separately due to machining and /or assembly that is required.

Traxxas 45 is 12-volt only!

12-24 VOLT 5 SPEED MODELS MODÈLES 12-24 V INTERRUPTEUR

**THIS IS A UNIVERSAL MULTI-VOLTAGE DIAGRAM. DOUBLE CHECK YOUR MOTORS VOLTAGE FOR PROPER CONNECTIONS
CECI EST UN SCHEMA À TENSION MULTIPLE UNIVERSEL. REVÉRIFIEZ LA TENSION DE VOTRE MOTEUR POUR BIEN LE BRANCHER.**

FIVE SPEED SWITCH INTERRUPTEUR A CING VITESSES

