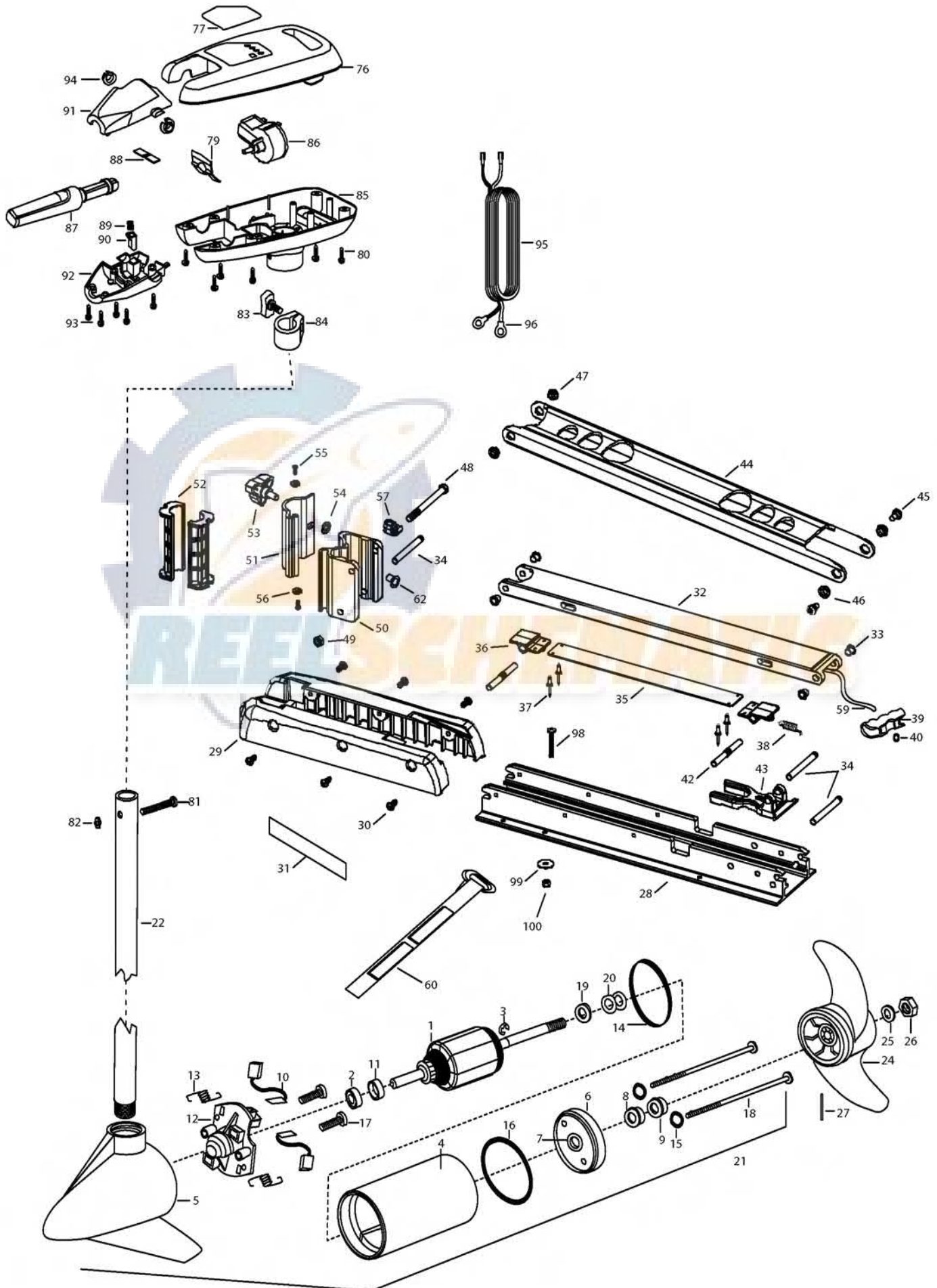


EDGE 55 / HC
55 lbs Thrust
12 Volt 50 Amps
52" Shaft

for use with "K" serial numbers
2-year warranty from the date of purchase



| | | | | | | | | |
|-----|-----------|------------------------------------|----|---------|----------------------------------|------|---------|----------------------------------|
| 1 | 2-100-117 | ARMATURE ASSEMBLY 12V 3.625 | 34 | 2260503 | PIVOT PIN [3 EA.] | 84 | 2031520 | COLLAR-DEPTH W/O INSERT |
| 2 | 140-010 | BEARING-BALL | ■ | 2993811 | LATCH STRAP ASSEMBLY, STD, 45" | 85 | 2062551 | CONTROL BOX PLAS W/HAND |
| 3 | 788-015 | RETAINING RING | 35 | 2263605 | LATCH STRAP, STD, 45" | 86 | 2064023 | SWITCH-FWD/REV 5SP |
| 4 | 2-200-101 | CENTER HOUSING ASSEMBLY | 36 | 2261902 | BRACKET-LATCH [2 EA.] | 87 | 2990912 | HANDLE ASSEMBLY-W/U-JOINT 5SP |
| 5 | 2-300-199 | BRUSH END HOUSING ASSEMBLY SPDCO | 37 | 2268602 | RIVET 1/8" SS [4 EA.] | 88 | 2302742 | SPRING-DETENT OFF |
| 6 | 2-400-101 | PLAIN END HOUSING ASSEMBLY | 38 | 2262709 | SPRING-LATCH PIN | 89 | 2302745 | SPRING-RELEASE BUTTON |
| 7 | 144-049 | BEARING- FLANGE SERVICE ONLY | 39 | 2150400 | PULL-GRIP | 90 | 2303720 | RELEASE BUTTON-HANDLE |
| 8 | 880-003 | SEAL | 40 | 2151700 | WASHER-EYE SHAFT .562 OD | 91 | 2060408 | HANDLE- TOP HALF |
| 9 | 880-006 | SEAL-W/SHIELD | 42 | 2260501 | LATCH PIN [2 EA.] | 92 | 2060415 | HANDLE- LOWER HALF |
| 10 | 188-036 | BRUSH ASSEMBLY [2.EA] | 43 | 2261544 | YOKE-TUBE | 93 | 2303412 | SCREW-6-20 X 5/8 SELF TAP [5.EA] |
| 11 | 725-050 | TUBE- BRUSH RETENTION | 44 | 2264262 | ARM-UPPER, FW, STD, 45" | 94 | 2060005 | BEARING-HANDLE PIVOT [2.EA] |
| 12 | 738-036 | BRUSH PLATE WITH HOLDER | 45 | 2263510 | BOLT-SHOULDER, SS [2 EA.] | 95 | 2090650 | LEADWIRE -10 GA RINGS |
| 13 | 975-040 | SPRING- TORSION [2.EA] | 46 | 2267302 | BUSHING-LOWER 7/16" ID, SS | 96 | 2020700 | TERMINAL RING, 3/8' [2.EA] |
| 14 | 337-036 | GASKET | 47 | 2267303 | BUSHING-UPPER 3/8" ID, SS | ■ | 2994838 | BAG ASSEMBLY-BOLTS NUTS WASHERS |
| 15 | 701-008 | O-RING THRU BOLT [2.EA] | 48 | 2263505 | BOLT 3/8-16 X 4.25" | *98 | 2263462 | SCREW 1/4-20X2 SS [6.EA] |
| 16 | 701-081 | O-RING | 49 | 2263114 | NUT-NYLOCK JAM 3/8-16 | *99 | 2261713 | WASHER-1/4 FLAT 18-18 [6.EA] |
| 17 | 830-007 | #8-32 SCREW [2.EA] | 50 | 2261872 | HINGE BASE, FW | *100 | 2263103 | NUT- 1/4-20 NYLOC-JAM [6.EA] |
| 18 | 830-042 | THRU BOLT 10-32X8.83 [2.EA] | 51 | 2261877 | HINGE DOOR, FW | | | |
| 19 | 990-067 | WASHER- STEEL THRUST | 52 | 2261537 | HINGE SLEEVE [2 EA.] | | | |
| 20 | 990-070 | WASHER-NYLATRON [2.EA] | 53 | 2260905 | HANDLE-SOFT GRIP, L&D | | | |
| 21 | 2097099 | MOTOR ASSEMBLY 12V F/W 3.625 5SPCO | 54 | 2261728 | WASHER-RETAINING 3/8" | | | |
| 22 | 2032068 | TUBE- COMPOSITE-52" | 55 | 2053415 | SCREW #8-32 X 3/8" TRI [2 EA.] | | | |
| ■ | 1378131 | PROPELLER KIT | 56 | 2261732 | WASHER #8, NYLON [2 EA.] | | | |
| *24 | 2091160 | PROPELLER- W/WEDGE 2 | 57 | 2262310 | ROPE GUIDE | | | |
| *25 | 2151726 | WASHER- 5/16 SS | 59 | 2251601 | ROPE- 44.5" | | | |
| *26 | 2053101 | NUT-PROP NYLOC | 60 | 2263805 | VELCRO STRAP | | | |
| *27 | 2092600 | PIN-DRIVE | 62 | 2264703 | INSERT - THREADED | | | |
| 28 | 2266502 | BOWPLATE, FW, STD, 45" | 76 | 2060285 | COVER-CONTROL BOX | | | |
| 29 | 2263905 | MOTOR REST, BLK. | 77 | 2265677 | DECAL-COVER EDGE 55/H | | | |
| 30 | 2303430 | SCREW 1/4-20 X 5/8 [6 EA.] | 79 | 2302743 | SPRING-DETENT HANDLE-TILT | | | |
| 31 | 2265667 | MOTOR REST DECAL, FW [2 EA.] | 80 | 2303412 | SCREW-6-20 X 5/8 SELF TAP [6.EA] | | | |
| ■ | 2991700 | BOWMOUNT FW ASSEMBLY | 81 | 2033400 | SCREW-10-24 X 1-3/4] | | | |
| 32 | 2264342 | LOWER ARM, FW, STD. | 82 | 2013110 | NUT-10-24 HEX (ZCP) | | | |
| 33 | 2266002 | NYLINER 3/8" SHAFT [4 EA.] | 83 | 2011365 | SCREW-COLLAR/NEW KNOB | | | |

* This item is part of an assembly. This item cannot be sold separately due to machining and /or assembly that is required.

Edge 55 is 12-volt only!

FIVE SPEED SWITCH

INTERRUPTEUR A CING VITESSES

