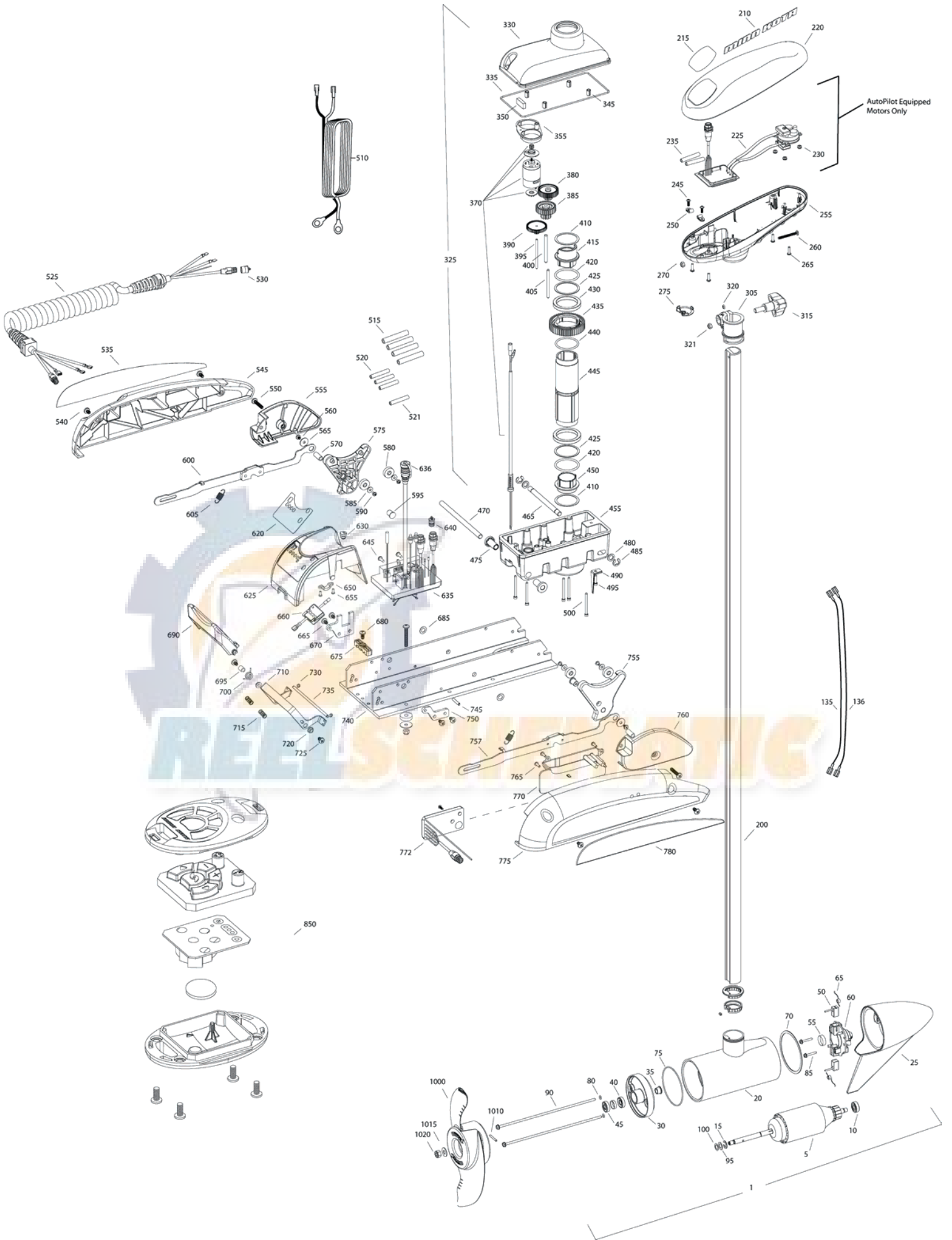


RIPTIDE 55 ST
55 LBS THRUST
12 VOLT 50 AMPS
48" & 54" SHAFT

for use with "K" serial numbers
2-year warranty from the date of purchase



Item	P/N	Description	Qty	Item	P/N	Description	Qty	Item	P/N	Description	Qty
1	2779030	12V Motor 48" SW	1	380	2302255	Gear, cluster 3rd stage	1	640	2320203	Cap, dust, control board	1
	2779031	12V Motor 54" SW	1	385	2302250	Gear, cluster 2nd stage	1	645	2323406	Screw, 10-24 x	2
5	2-100-146	Armature assembly	1	390	2302245	Gear, cluster 1st stage	1	650	2321315	Holder, connector	1
10	140-010	Bearing	1	395	2302610	Shaft, gear 1st stage	1	655	2332103	Screw, 6-20 x .375	2
15	788-015	Retaining ring	1	400	2302620	Shaft, gear 3rd stage	1	660	2074080	Battery meter, 12v	1
20		Included in #200 assembly		405	2302615	Shaft, gear 2nd stage	1	665	2323402	Screw, 1/4-20 x .375	4
25	421-350	Brush end housing assembly STD	1	410	2321704	Washer, thrust	2	670	2321941	Bracket, strain relief	1
30	2-400-337	Plain end housing assembly	1	415	2321515	Liner, output tube	1	675	2321310	Strain relief, wire	1
35	144-049	Flange bearing	1	420	2324608	O-ring, 224	2	680	2323405	Screw, 1/4-20 x .5	1
40	880-003	Seal	1	425	2321720	Shim, O-ring	2	685	2333100	Speed nut, .375	2
45	880-006	Seal with shield	1	430	2327308	Bearing, ball sealed	2	690	2320216	Handle, release cover	1
50	188-036	Brush	2	435	2322200	Gear, output	1	695	2301700	Bushing,	1
55	725-050	Paper tube	1	440	2324601	O-ring, output gear	1	700	2322701	Spring, release handle	1
60	738-036	Brush plate assembly	1	445	2322030	Tube, output machined	1	710	2320401	Handle, release SW	1
65	975-040	Brush spring	2	450	2321510	Collar, drive, bottom	1	715	2322712	Spring, release handle	2
70	337-036	Gasket	1	455	2326507	Steering housing, Bottom	1	720	2322604	Bushing, handle	2
75	701-081	O-ring, motor	1	460	2320605	Leadwire, Steering	1	725	2332104	Screw, 1/4-20 x .625	2
80	701-008	O-ring, thru-bolt	2	465	2322601	Pin, latch, SS	1	730	2323000	E-clip, 3/16, SS	2
85	830-007	Screw, 8-32	2	470	2322603	Pin, pivot, SS	1	735	2322607	Pin, follower, handle	1
90	830-008	Thru-bolt	2	475	2327310	Bushing, pivot pin	2	740	2321902	Base extrusion, machined	1
95	990-067	Washer, steel	2	480	2321702	Washer, flat .375	2	745	2322912	Spring pin,	2
100	990-070	Washer, nylatron	2	485	2263011	E-ring .375	2	750	2321951	Bracket, sideplate	1
135	640-009	Leadwire, black	1	490	2322702	Spring, latch pin	2	755	2323910	Ramp, 3 5/8" right	1
136	640-108	Leadwire, red	1	495	2323410	Screw, 8-32 x .75	1	757	2994201	Arm, release, Right	1
200	2779305	Tube, composite 54" SW	1	500	2323408	Screw, 8-32 x 2	7	760	2321920	Skid, right	1
205		Included in #200 assembly		510	2090651	Leawire, 10 ga	1	765	2301310	Screw, 8-18 x .5	3
210	2325666	Decal, cover	2	515	2305403	Shrink tube - .5 ID x 1.0 Adhesive	4	770	2370221	Cover, access, SW	1
215	2325685	Decal, ctrl box 55 RT	1	520	2305410	Shrink tube - .315 OD x 2.25"	3	772	2374090	Copilot Receiver Board	1
	2325682	Decal, ctrl box 55 RT Autopilot	1	521	2305415	Shrink tube - .472 OD x 2.25"	1	775	2321911	Sideplate, right, SW	1
220	2320201	Cover, ctrl box	1	525	2991273	Coil cord, 45"	1	780	2325642	Decal, sideplate, right	1
225	2324030	Ctrl board, compass, Autopilot only	1		2991271	Coil cord, 54"	1				
230	2302960	Grommet, compass, Autopilot only	3	530	2320202	Cap, dust, coil cord, non-AP only	1	850	2994095	Remote assembly	1
235	2305415	Wire insulator	2	535	2325643	Decal, sideplate, left	1	851		Case, cover, transmitter	1
245	2372100	Screw, 8-18 x .625	3	540	2323405	Screw, 1/4-20	4	860		Keypad, transmitter	1
250	2052510	Cable clamp	3	545	2321916	Sideplate, left	1	865		Transmitter board	1
255	2322501	Ctrl box	1	550	2323403	Screw, 1/4-20 x .375 SS	2	870		Battery, transmitter	1
260	2332102	Screw, 10-24	1	555	2321925	Skid, left	1	875		Case, bottom, transmitter	1
265	2372100	Screw, 8-18 x .625	4	560	2323422	Screw, 10-24 x .375	2	880		Screw, 4-24	4
270	2333101	Nut, 10-24	1	565	2321700	Washer, #10 SS	2				
275	2224702	Plug, ctrl box	1	570	2323501	Bolt, shoulder	2	■	1378131	Propeller kit WW2	1
305	2771500	Depth collar assembly	1	575	2323915	Ramp, 3 5/8" left	1	■	2994875	Propeller bag assy	
315	2260906	knob (included in #305)	1	580	2325117	Pad, rubber rest	4	1000	2091160	Propeller WW2	1
320	2321706	washer (included in #305)	1	585	2321706	Washer, #8	4	1010	2262600	Drive pin, small	1
321	2323102	nut (included in #305)	1	590	2323412	Screw, 8-18 x .25	4	1015	2151726	Washer, prop, small	1
325	2997051	Steering housing	1	595	2324706	Insert, ramp	2	1020	2198400	Nut, anode, nylock, prop, small	1
330	2326502	Steering housing top	1	600	2994203	Arm, release, left	1				
335	2324604	O-ring, case seal	1	605	2322710	Spring, extension	2	■	2994864	Mounting hardware bag assy	
345	2305605	Roll pin 5/16	4	■	2770251	Cover, speed control with decal	1	■	2888460	Seal &Oring Kit	
350	2308601	Breather, filter	1	620	2325651	Decal, speed control	1				
355	2328610	Cradle, motor	1	625	2320211	Cover, speed control	1				
360	2302240	Pinion gear	1	630	2322901	Strain relief	1				
365	2300265	Cap, motor, plastic	1	635	2324011	Control board, 12v	1				
370	2307050	Motor, steering, 12V	1	■	2884050	Switch-reed repair kit					
375	2300560	Cap, spacer, plastic	1	636	2320208	Dust plug	1				

* This item is part of an assembly. This item cannot be sold separately due to machining and /or assembly that is required.

P/N 2324940

REV. V ECN 31554

8-09

RT55ST is 12-volt only!

