

Trim Tabs & Trim-N-Troll  
3-year warranty  
for use with "L" serial numbers

Item	P/N	Description	Qty	Item	P/N	Description	Qty
5	2374613	O-ring, upper mount	1	87	2996517	Indicator Switch control module	1
6	2371924	Bracket, recessed upper mount (special order item not included)	1	90	2996519	Motor control unit	1
7	2372917	Strain relief	1	91	2370734	Network splitter	1
8	2373429	Shoulder screw	2	100	2397234	Motor Assembly 80#	1
9	2372640	Pin, upper mount	1		2397251	Motor Assembly 101#	1
10	2371906	Bracket, standard upper mount	1	105	2374630	Fitting, NPT 1/2"	1
12	2374619	Bulkhead	1	110	421-333	Brush end housing	1
15	2373490	Screw 1/4 - 14 x 1 1/4	9	115	992-010	Spring Washer	2
20	2374631	O-ring, Sealcon	1	120	990-045	Thrust spacer	1
25	2374630	Fitting - NPT 1/2"	1	125	2-600-233	Brush plate assembly	1
30	2263006	E-ring, 5/16 ss	4	130	975-041	Spring, brush, torsion	2
31	2373020	Snap-ring, 5/16ss	2	135	186-094	Brush	2
35	2372640	Pin, upper mount	1	140	830-029	Screw, brush plate	2
40	2992801	Actuator assembly, standard	1	145	140-010	Bearing	1
	2992805	Actuator assembly, short	1	150	2-100-233	Armature assembly 80#	1
41	2992800	Actuator assembly, long	1		2-100-230	Armature assembly 101#	1
50	2262665	Pin, lower mount	1	155	990-051	Washer, steel	1
55	2371908	Mount, lower	1	160	990-045	Washer, nylontron	1
60	2778700	Tab, 9x9 assembly [55-75]	1	165	701-043	O-ring, housing	2
	2778701	Tab, 9x12 assembly [55-75]	1	170	2-200-333	Center housing 80#	1
	2778702	Tab, 9x18 assembly [55-75]	1		2-200-330	Center housing 101#	1
	2778710	Tab, 12x9 assembly [55-75]	1	175	2-300-341	Plain end housing	1
	2778711	Tab, 12x12 assembly [55-75]	1	180	701-009	O-ring- thru-bolts	2
	2778712	Tab, 12x18 assembly [55-75]	1	185	830-095	Thru-bolt 80#	2
65	2371800	Hinge, 9" [included in 60]	1		830-098	Thru-bolt 101#	2
	2371801	Hinge, 12" [included in 60]	1	190	836-001	Plug, pipe	1
	2371802	Hinge, 18" [included in 60]	1				
70	2333101	Nut, 10-24 Nylock	as required	200	1378132	Propeller kit	1
75	2373406	Screw, 10-24 x 5/8	as required	205	2331160	Propeller W. Wedge 2	1
76	2373423	Screw, 10-24 X 3/4 SHCS	4	210	2091701	Washer - prop, large	1
■	1863700	Trim tab rocker switch kit [80-81]		215	2198401	Anode, Nut	1
80	2994042	Soft rocker switch assembly	1				
81	2994077	Basic switch control module	1	220	2370739	Adhesive filled butsplice 18-22 ga	6
85	2994056	Indicator switch assembly	1	225	2370738	Adhesive filled butsplice 14-16 ga	4
	2994057	Auxiliary switch assembly	1				
86	2373230	Network extension cable, 5'	1	■	2994885	Switch mounting hardware	1
	2373231	Network extension cable, 10'	1			(NOT SHOWN)	
	2373232	Network extension cable, 25'	1				

**BASIC SWITCH**



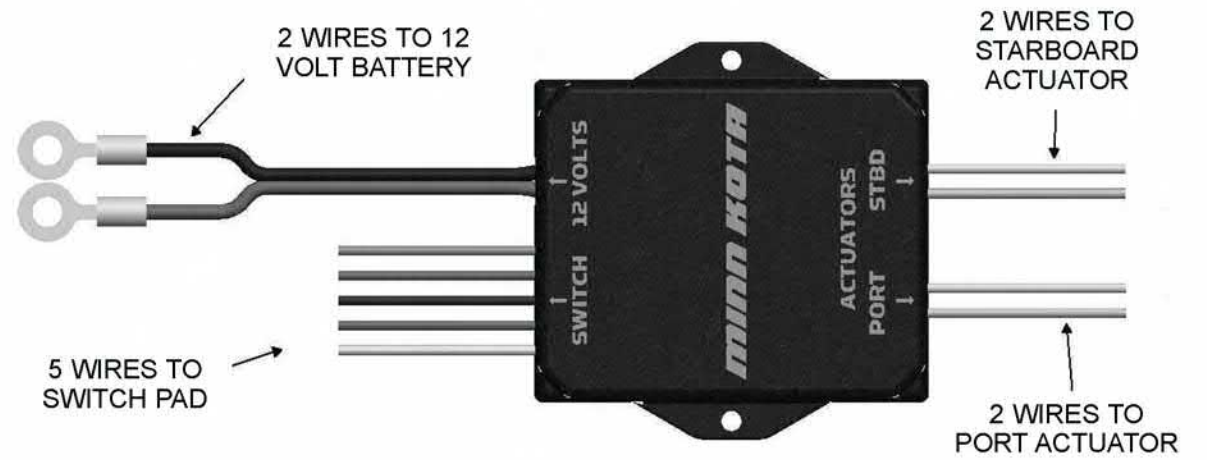
25' CABLE TO CONTROL MODULE

**INDICATOR SWITCH**

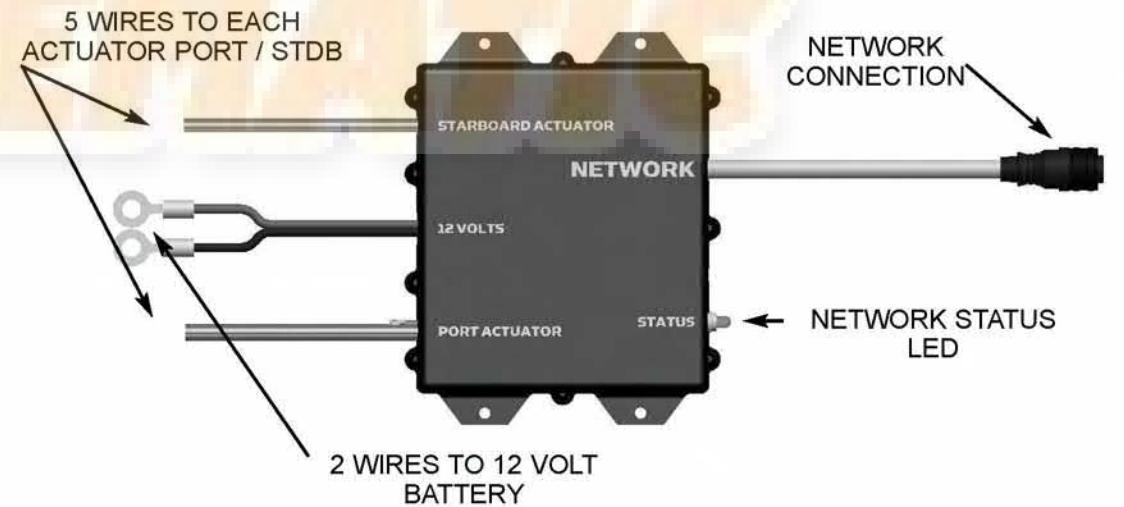
25' NETWORK CABLE TO CONTROL MODULE



**BASIC SWITCH CONTROL MODULE**

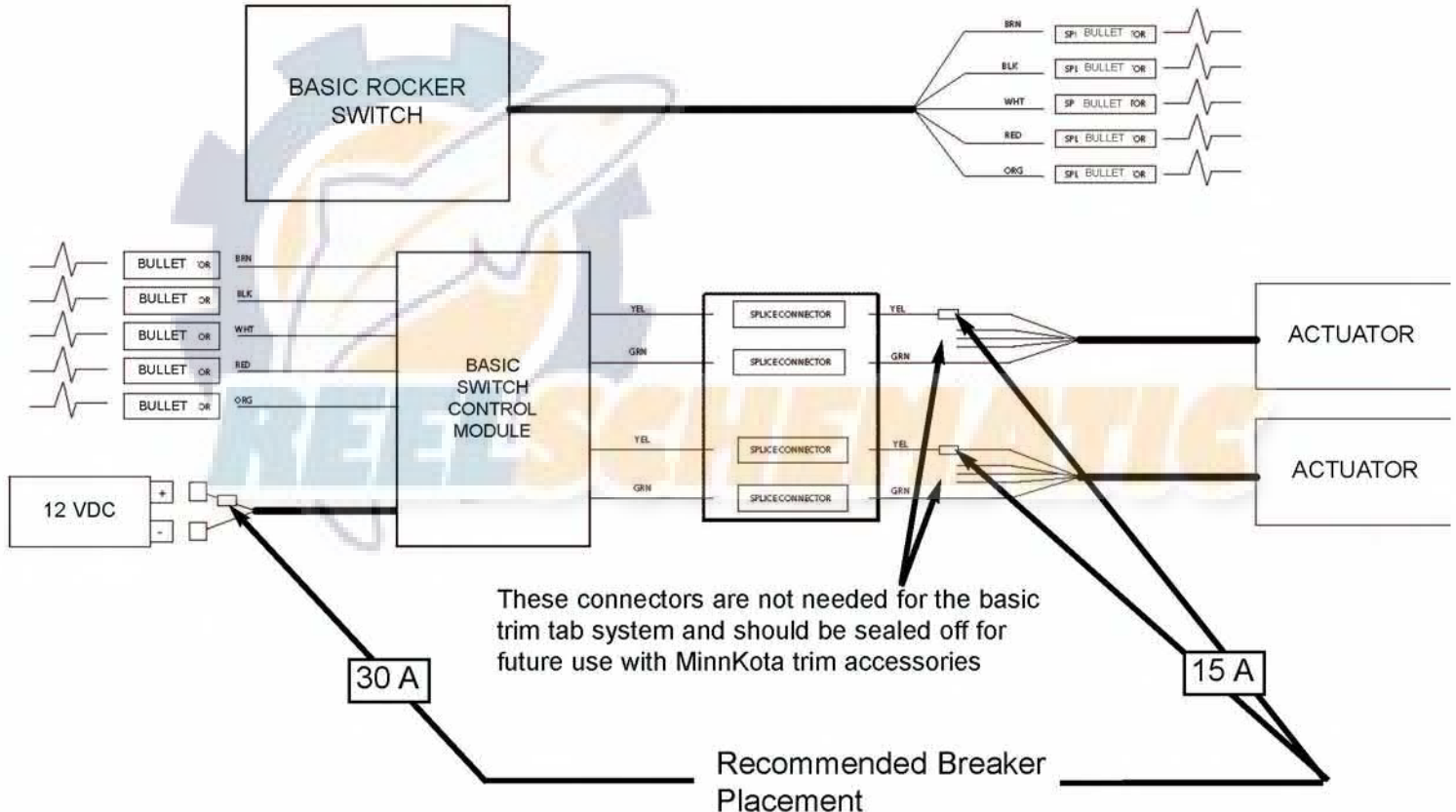


**INDICATOR SWITCH CONTROL MODULE**



**\*\*NOTE TO INSTALLER:** ABYC Requirements dictate that a 15A breaker be placed in line with each individual actuator and a 30A breaker at the power lead of the Basic Switch Control Module. These breakers must be provided by the installer. See the wiring diagram below for recommended placement.

### Basic Switch Trim Tab System



## Indicator Switch Trim Tab System

**\*\*NOTE TO INSTALLER:** ABYC Requirements dictate that a 15A breaker be placed in line with each individual actuator and a 30A breaker at the power lead of the Indicator Switch Power Module. These breakers must be provided by the installer. See the wiring diagram below for recommended placement.

