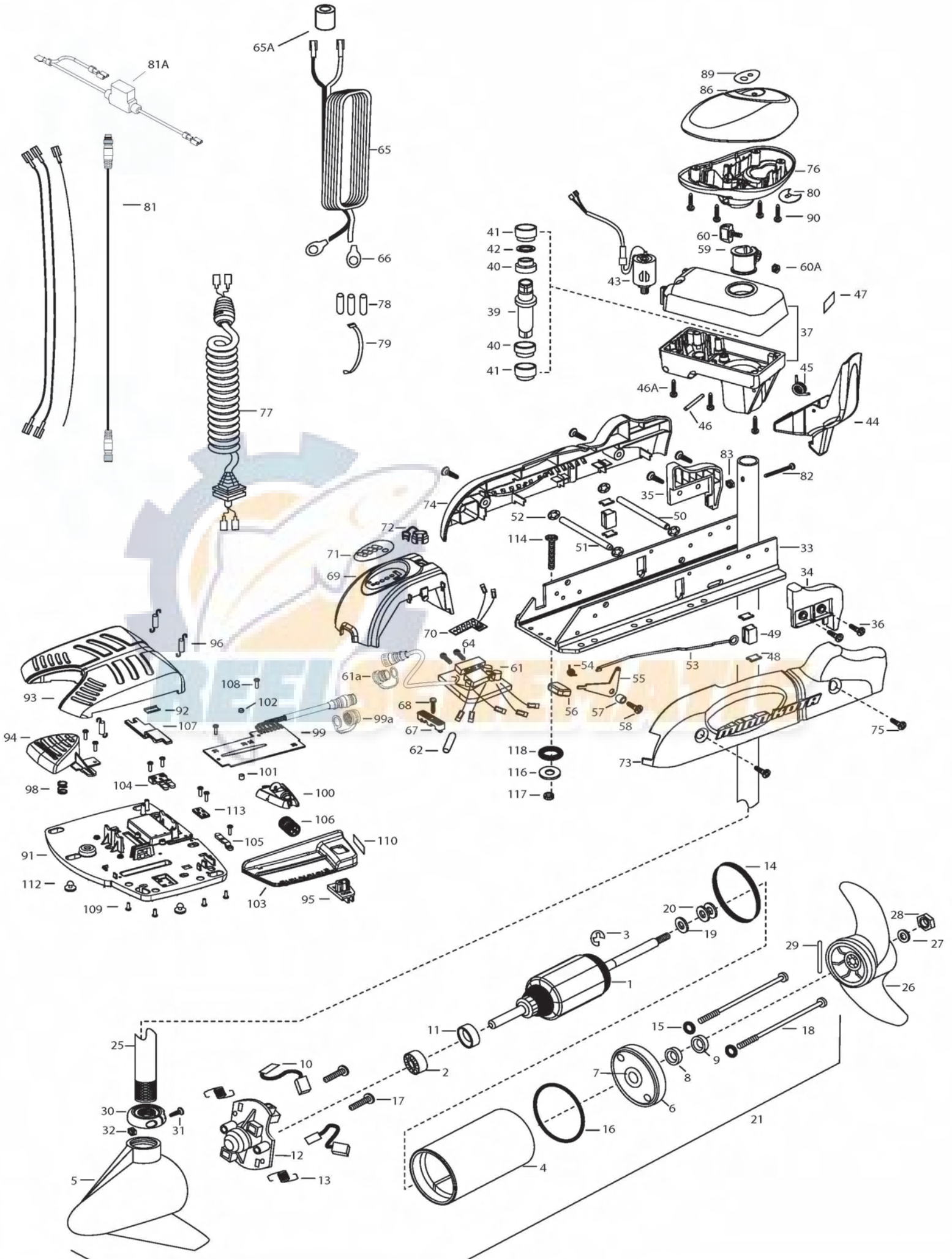


**55PD**  
**55 LBS THRUST**  
**12 VOLT 50 AMPS**  
**54" OR 48" SHAFT**

for use with "L" serial numbers  
2-year warranty



In the U.S.A., replacement parts may be ordered directly from MINN KOTA Parts Dept., 121 Power Drive, P.O. Box 8129 Mankato, Minnesota 56002-8129. In Canada, parts may be ordered from any of the Canadian Authorized Service Centers shown on the enclosed list. Be sure to provide the MODEL and SERIAL numbers of your motor when ordering parts. Please use the correct part numbers from the parts list. Payment for any parts ordered from the MINN KOTA parts department, may be by cash, personal check, Discover Card, MasterCard or VISA. To order, call 1-800-227-6433 or FAX 1-800-527-4464.

Fuera de los Estados Unidos, consultar la lista anexa para ubicar el Centro de servicio autorizado MINN KOTA. No dejar de incluir el número del MODELO y el número de SERIE del motor para el cual se solicitan las piezas. Usar siempre los números de pieza correctos indicados en la lista de piezas.

|     |           |   |     |         |                                   |      |         |                                  |
|-----|-----------|---|-----|---------|-----------------------------------|------|---------|----------------------------------|
| 1   | 2-100-121 | ARMATURE ASSEMBLY 12V VARS TXT            | *40 | 2307304 | BUSHING- INNER [2.EA]             | 78   | 2065400 | WIRE INSULATOR-LGE 1-3/4 [3.EA]  |
| 2   | 140-010   | BALL BEARING                              | *41 | 2307305 | BUSHING- OUTER [2.EA]             | 79   | 2256300 | TIE WRAP-5" BLACK                |
| 3   | 788-015   | RETAINING RING                            | *42 | 2304603 | O-RING                            | 80   | 2224702 | INSERT- PLUG                     |
| 4   | 2-200-101 | HOUSING ASSEMBLY CENTER 3.62 TXT          | 43  | 2307050 | MOTOR- DRIVE HOUSING HIGH SPD     |      | 2224700 | INSERT- PLUG US2                 |
| 5   | 421-065   | HOUSING -BRUSH END 3.62 TXT               | 44  | 2307201 | LATCH HANDLE PD/AP                | 81   | 2211415 | EXTENSION CABLE US2              |
|     | 9421-167  | HOUSING -BRUSH END 3.62 US2 48"           | 45  | 2302750 | SPRING- LATCH TORSION PD/AP       | 81A  | 2218200 | FUSE HOLDER, US2 MOTORS ONLY     |
|     | 9421-168  | HOUSING -BRUSH END 3.62 US2 54"           | 46  | 2302627 | PIN- ROLL ZINC                    | 82   | 2033400 | SCREW-10-24 X 1-3/4 PPH Z/P      |
| 6   | 2-400-101 | PLAIN END HOUSING ASSEMBLY 3.625          | 46A | 2303407 | SCREW - DRIVE HOUSING [6 EA]      | 83   | 2013110 | NUT-HEX 10-24 ZCP                |
| 7   | 144-049   | BEARING - FLANGE (SERVICE ONLY)           | 47  | 2305564 | DECAL-STOW/DEPLOY                 | 86   | 2300237 | CONTROL BOX COVER- POWERDRIVE    |
| 8   | 880-003   | SEAL                                      | 48  | 2305110 | PAD-PIVOT SUPT [4.EA]             | 89   | 2315682 | DECAL- COVER 55PD                |
| 9   | 880-006   | SEAL WITH SHIELD                          | 49  | 2305103 | PIVOT PAD- NEW MTR'L [2.EA]       |      | 2315687 | DECAL - COVER 55 PD / US         |
| 10  | 188-036   | BRUSH ASSEMBLY [2.EA]                     | 50  | 2300500 | PIN-LATCH                         | 90   | 2012100 | SCREW-8-18 X 5/8 THD CUT [4.EA]  |
| 11  | 725-050   | BRUSH RETENTION- PAPER TUBE               | 51  | 2300510 | PIN-PIVOT                         | ■    | 2994725 | FOOT PEDAL ASSEMBLY              |
| 12  | 738-036   | BRUSH PLATE W/HOLDER                      | 52  | 2013100 | NUT-SPEED [4.EA]                  | 91   | 2304505 | FOOT PEDAL BASE                  |
| 13  | 975-040   | SPRING - TORSION [2.EA]                   | 53  | 2303612 | ROD-RELEASE RT/AP S               | 92   | 2308501 | WEAR PLATE FOOT PDL              |
| 14  | 337-036   | GASKET                                    | 54  | 2322700 | SPRING-RELEASE LEVER              | 93   | 2300255 | FOOT PEDAL, CORDED UPPER         |
| 15  | 701-008   | O-RING, THRU-BOLT [2.EA]                  | 55  | 2303710 | LEVER-RELEASE                     | 94   | 2303723 | BUTTON, MOMENTARY                |
| 16  | 701-081   | O-RING                                    | 56  | 2300101 | RELEASE-KNOB                      | 95   | 2303722 | BUTTON, MOM/CON                  |
| 17  | 830-007   | SCREW-8-32 [2.EA]                         | 57  | 2301700 | SPACER-RELEASE LEVER              | 96   | 2302730 | SPRING-LONG-UPPER PEDAL [3.EA]   |
| 18  | 830-042   | THRU-BOLT 10-32X8.83 [2.EA]               | 58  | 2303430 | SCREW-1/4-20 X 5/8                | 98   | 2302732 | SPRING-LOWER PEDAL               |
| 19  | 990-067   | WASHER- STEEL THRUST                      | 59  | 2031522 | COLLAR- DRIVE (W/INSERT)          | 99   | 2304052 | CONTROL BOARD ASSEMBLY-FT PDL    |
| 20  | 990-070   | WASHER - NYLATRON [2.EA]                  | 60  | 2011365 | SCREW-COLLAR/NEW KNOB             | 99A  | 2320207 | DUST CAP                         |
| 21  | 2097090   | MOTOR ASSEMBLY 12V 3.62 54"               | 60A | 2323104 | NUT                               | 100  | 2308620 | SLIDER, SPEED                    |
|     | 2107098   | MOTOR ASSEMBLY US2 12V 3.62 VARS 54"      | 61  | 2304060 | CONTROL BOARD ASSEMBLY- 12V PD    | 101  | 2308409 | MAGNET, 1/4 X 1/4                |
| 25  | 2032076   | TUBE-CARBON COMPOSITE 54"                 | 61A | 2320208 | DUST PLUG                         | 102  | 2778408 | MAGNET, 1/4 X 1/8                |
|     | 2032075   | TUBE-CARBON COMPOSITE 48"                 | 62  | 2355410 | SHRINK TUBE-3/8 ODX2              | 103  | 2300252 | COVER, SPEED SELECTOR            |
| ■   | 1378131   | PROPELLER KIT                             | 64  | 2303434 | SCREW-8-32 X 5/8 [3.EA]           | 104  | 2308606 | SWITCH, DOUBLE FINGER            |
| 26  | 2091160   | PROPELLER W/WEDGE 2                       | 65  | 2090651 | LEADWIRE IOGA 44"                 | 105  | 2308608 | SWITCH, SINGLE FINGER            |
| 27  | 2151726   | WASHER-5/16 SS                            | 65A | 2307310 | BEAD - FERRITE (CE MODELS ONLY)   | 106  | 2307900 | WHEEL, SPEED                     |
| 28  | 2053101   | NUT-PROP NYLOC                            | 66  | 2020700 | TERMINAL RING [2.EA]              | 107  | 2308625 | SLIDER, STEERING                 |
| 29  | 2092600   | PIN-DRIVE                                 | 67  | 2321310 | STRAIN RELIEF- BRACKET PD/AP      | 108  | 2302100 | SCREW-6-20 X 1/2 [9.EA]          |
| 30  | 2301545   | COLLAR- LATCH PD/AP                       | 68  | 2323405 | SCREW-1/4-20 X 5/8                | 109  | 2372103 | SCREW-6.20 X 3/8 [4.EA]          |
| 31  | 2303434   | SCREW- 8-32X5/8 MACH PHCR                 | 69  | 2306555 | HOUSING- CENTER PD/AP             | 110  | 2316600 | DECAL, ON/OFF SWITCH             |
| 32  | 2303112   | NUT 8-32 NYLOC SS                         | 70  | 2074070 | BATTERY GAUGE - 12 VOLT           | 112  | 2994859 | BAG ASSEMBLY- 5 RUBBER BUMPERS   |
| 33  | 2301936   | EXTRUSION- BASE MACHINED                  | 71  | 2316605 | DECAL, BATTERY GAUGE              | 113  | 2302907 | STRN RLF PD FP                   |
| 34  | 2303932   | MOTOR REST- RIGHT 3-5/8                   | 72  | 2302935 | STRAIN RELIEF-DR. HOUSING         | ■    | 2994864 | BAG ASSEMBLY- (BOLT,NUT,WASHERS) |
| 35  | 2303937   | MOTOR REST- LEFT 3-5/8                    | 73  | 2303960 | SIDEPLATE (RIGHT)PD MK            | *114 | 2263462 | BOLT-MOUNTING-1/4X2 W/STG [6.EA] |
| 36  | 2303430   | SCREW 1/4-20X5/8 SELF TAP [4.EA]          | 74  | 2303965 | SIDEPLATE(LEFT)PD MK              | *116 | 2261713 | WASHER-1/4 [6.EA]                |
| 37  | 2771826   | DRIVE HOUSING / LATCH HANDLE ASSY         | 75  | 2303430 | SCREW-1/4-20 X 5/8- [4.EA]        | *117 | 2263103 | NUT NYLOK 1/4-20 MTG [6.EA]      |
| ■   | 2882011   | BUSHING/ OUTSHAFT KIT<br>(INCLUDES 39-42) | 76  | 2302515 | CONTROL BOX PD/AP                 | *118 | 2301720 | WASHER-MOUNTING RUBBER [6.EA]    |
|     |           |   | 77  | 2991283 | COIL CORD W/STRAIN RELIEF 48, 54" | ■    | 2888460 | SEAL & ORING KIT                 |
| *39 | 2302010   | DRIVE HOUSING OUTPUT SHAFT                |     |         |                                   |      |         |                                  |

\* This item is part of an assembly. This item cannot be sold separately due to machining and/or assembly that is required.

P/N 2314948

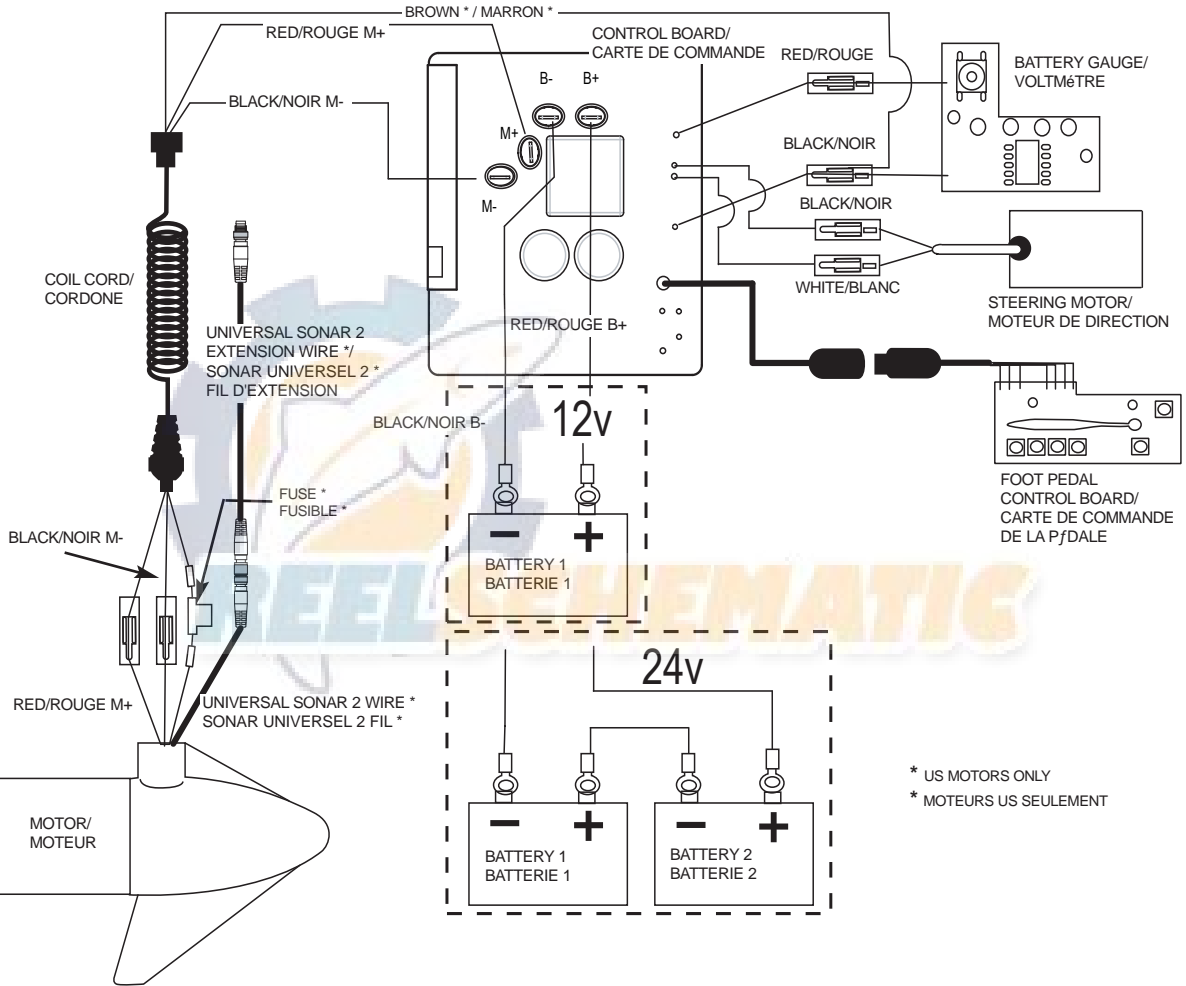
REV. U ECN 32764

11-10

# 12-24 VOLT MODELS / MODÈLES 12-24 V

**THIS IS A UNIVERSAL MULTI-VOLTAGE DIAGRAM. DOUBLE CHECK YOUR MOTORS VOLTAGE FOR PROPER CONNECTIONS  
CECI EST UN SCHÉMA À TENSION MULTIPLE UNIVERSEL. REVÉRIFIEZ LA TENSION DE VOTRE MOTEUR POUR BIEN LE BRANCHER.**

**PowerDrive 55 is 12-volt only!**



\* US MOTORS ONLY  
\* MOTEURS US SEULEMENT

**NOTE:**  
 1. BATTERY 2 AND CONNECTING WIRE USED FOR 24V APPLICATIONS ONLY  
 2. UNIVERSAL SONAR 2 WIRES APPLICABLE TO US2 MOTORS ONLY  
**NOTEZ :**  
 1. LA BATTERIE 2 DE CONNEXION LE FIL UTILISÉ POUR 24V LES APPLICATIONS SEULEMENT  
 2. LE SONAR UNIVERSEL 2 FILS APPLICABLES AUX MOTEURS US2 SEULEMENT