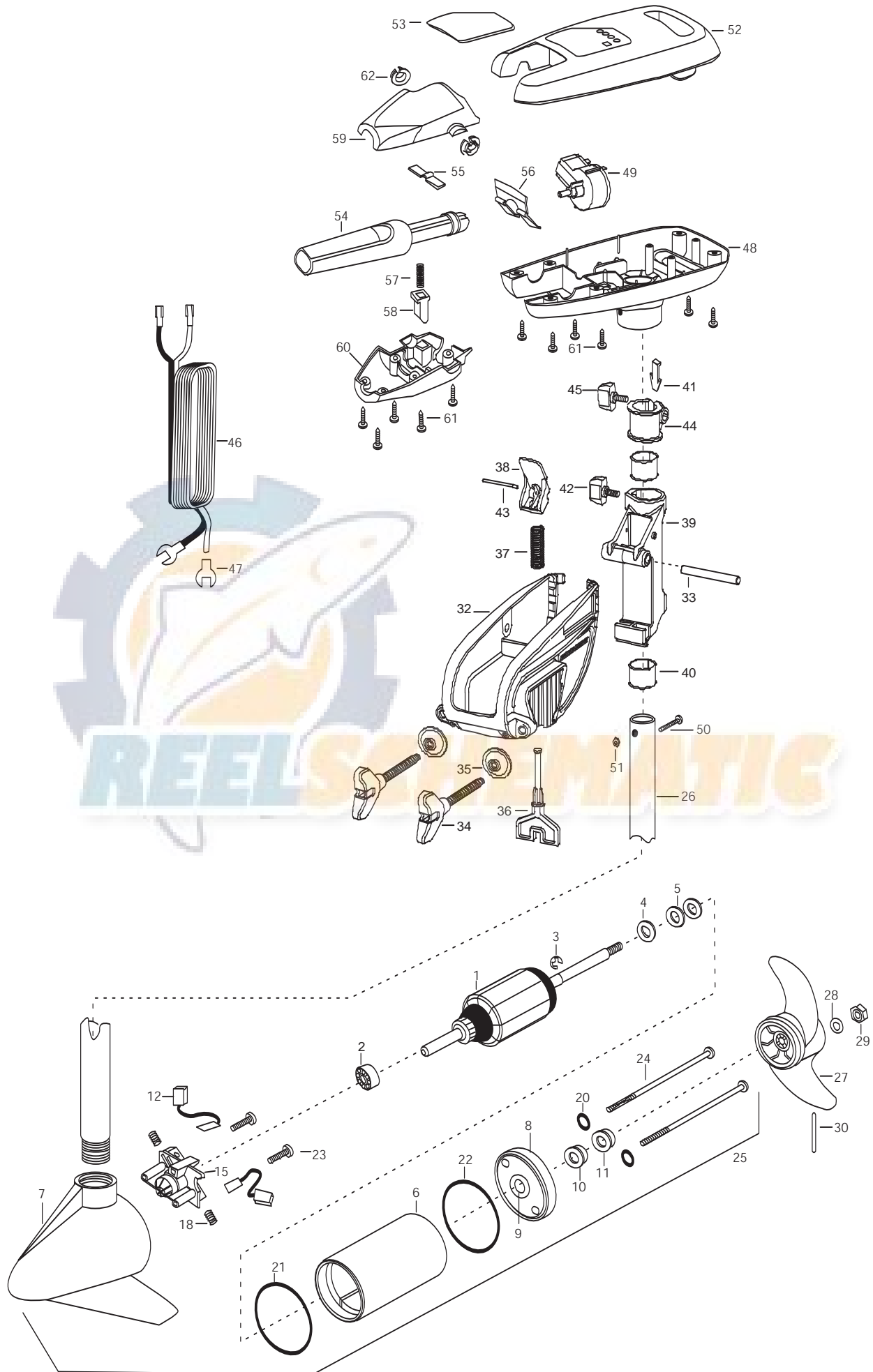


CAMO 44
44 lbs Thrust
12 Volt 42 Amps
36" Shaft

for use with "L" serial number
2-year warranty



In the U.S.A., replacement parts may be ordered directly from MINN KOTA Parts Dept., 121 Power Drive, P.O.Box 8129, Mankato, Minnesota 56002-8129. In Canada, parts may be ordered from any of the Canadian Authorized Service Centers shown on the enclosed list. Be sure to provide the MODEL and SERIAL numbers of your motor when ordering parts. Please use the correct part numbers from the parts list. Payment for any parts ordered from the MINN KOTA parts department, may be by cash, personal check, Discover Card Master, Card or VISA. To order, call 1-800-227-6433 or FAX 1-800-527-4464.

Hors de États-Unis, voir la liste ci-jointe pour le Centre de Service Agréé MINN KOTA le plus proche. Lors d'une commande, ne pas oublier de fournir le numéro de modèle et le numéro de série du moteur. Toujours mentionner le numéro de pièce exact figurant sur la liste des pièces de rechange.

1	2-100-201	ARMATURE ASSEMBLY 12V 3.25 40#	36	2063605	T-BAR PLASTIC
2	140-010	BEARING-BALL	37	2062706	SPRING- T-BAR ENDURA
3	788-015	RETAINING RING	38	2067201	LEVER- TILT BLACK ENDURA
4	990-067	WASHER - STEEL THRUST	39	2061810	HINGE-PLASTIC
5	990-070	WASHER - NYLATRON [2.EA]	40	2037301	BUSHING-HINGE [2.EA]
6	2-200-079	HOUSING ASSEMBLY CENTER 3.25 TXT	41	2062800	TENSION BLOCK- SNAP IN
7	2-300-132	HOUSING ASSEMBLY BRUSH END 3.25 SP.CO.	42	2011385	SCREW-TENSION/NEW KNOB
8	2-400-128	PLAIN END HOUSING ASSEMBLY 3.25	43	2060515	PIN- TILT LEVER
9	144-049	BEARING - FLANGE [SERVICE ONLY]	44	2061520	COLLAR-DEPTH ((ENDURA)
10	880-003	SEAL	45	2011365	SCREW-COLLAR/NEW KNOB
11	880-006	SEAL WITH SHIELD	46	2050609	LEADWIRE 10 GA SPADE TERM
12	188-052	BRUSH ASSEMBLY [2.EA]	47	2020702	TERMINAL SPADE 10GA [2. EA]
15	738-030	BRUSH PLATE W/HOLDER 3.25 ASSEMBLY	48	2067706	CONTROL BOX CAMO W/HAND 5SPD
18	975-032	SPRING - COMPRESSION [2.EA]	49	2064028	SWITCH-FWD/REV 5SPD
20	701-007	O-RING [2. EA]	50	2033400	SCREW-10-24 K 1-3/4
21	701-041	O-RING	51	2013110	NUT-10-24 HEX
22	701-039	O-RING MK406460	52	2060284	CONTROL BOX COVER-(CAMO)
23	830-001	SCREW - SELF-THREAD 8-32X1.7 [2.EA]	53	2095669	DECAL-COVER, 44XL CAMO
24	830-078	THRU BOLT 8-32 X 8.96 [2. EA]	54	2990918	HANDLE ASSEMBLY-W/U-JOINT 5SPD
25	2068250	MOTOR ASSEMBLY 12V3.25 5SPD TXT	55	2302742	SPRING-DETENT OFF (SS)
26	2067711	TUBE (COMP)W/CS K HOLE 36" CAMO DIPPED	56	2302743	SPRING-DETENT HANDLE-TILT
■	1378121	PROPELLER KIT	57	2302745	SPRING-RELEASE BUTTON (SS)
27	2061122	PROPELLER	58	2303720	RELEASE BUTTON-HANDLE
28	2151726	WASHER-PROP (MEDIUM)	59	2067708	HANDLE (TOP HALF) CAMO
29	2053101	NUT-PROP NYLOC	60	2067707	HANDLE (LOWER HALF) CAMO
30	2092600	PIN-DRIVE (SS)	61	2303412	SCREW-6-20 x 5/8 SELF TAP [11 EA]
■	2771810	BRACKET & HINGE ASSEMBLY- CAMO	62	2060005	BEARING-HANDLE PIVOT [2. EA]
■	2771910	BRACKET W/CLAMP SCREW ASSEMBLY (INCL.32,34,35)	■	2883460	SEAL & ORING KIT
*32	2061910	BRACKET PLASTIC			
33	2060510	PIN-HINGE- ENDURA			
*34	2061300	SCREW- CLAMP			
*35	2011710	WASHER- CLAMP SCREW 1.5OD			
■	2881300	CLAMP SCREW, WASHER, RETAINER KIT			

* This item is part of an assembly. This item cannot be sold separately due to machining and /or assembly that is required.

P/N 2034962

REV. F ECN 3263 9-10

