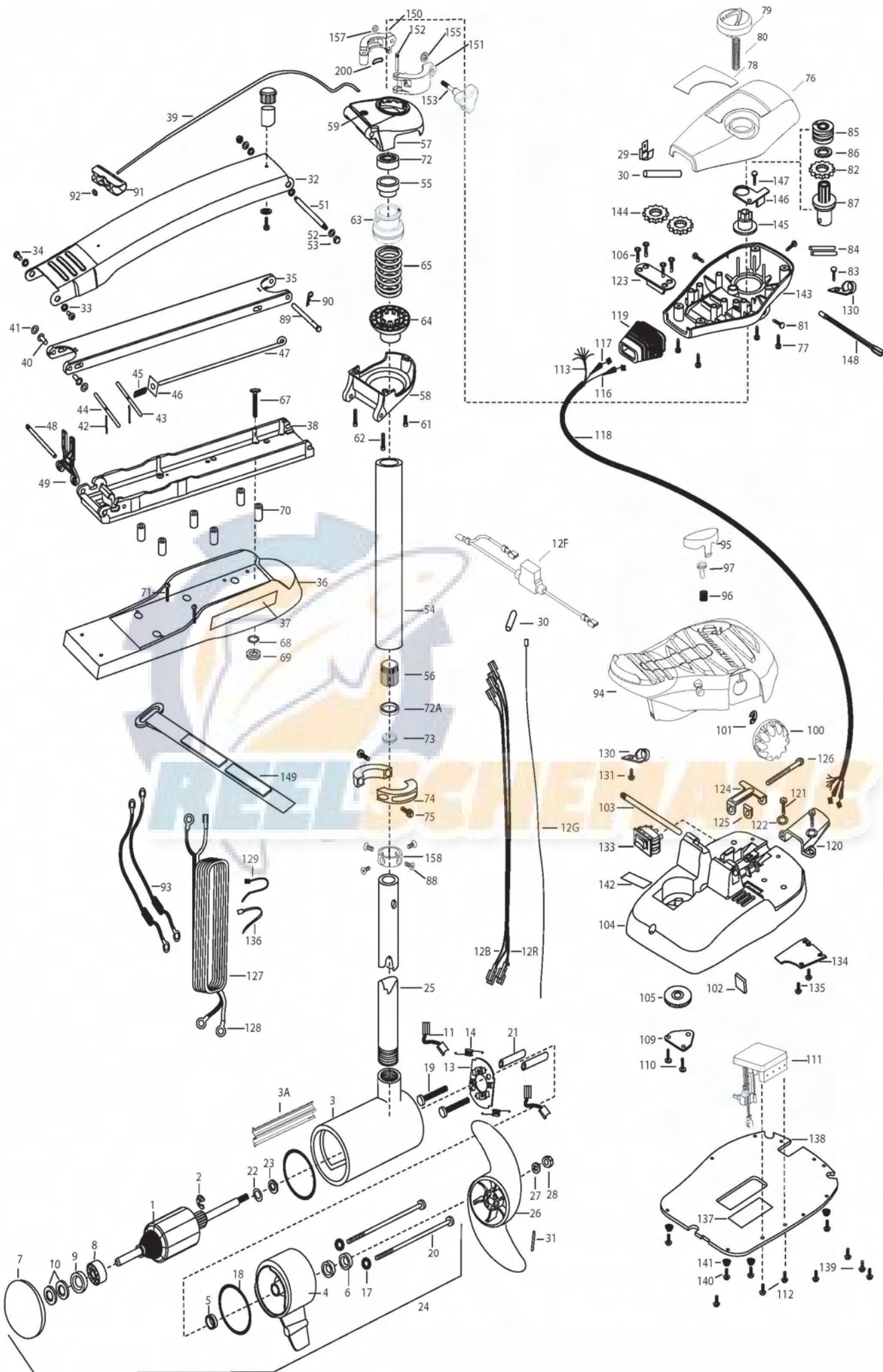


MAXXUM 101
101 lbs Thrust
36 Volt 46 Amps
52 & 62" SHAFT

for use with "L" serial numbers
2-year warranty



In the U.S.A., replacement parts may be ordered directly from MINN KOTA Parts Dept., 706 Holly Lane, P.O.Box 8129, Mankato, Minnesota 56002-8129. In Canada, parts may be ordered from any of the Canadian Authorized Service Centers shown on the enclosed list. Be sure to provide the MODEL and SERIAL numbers of your motor when ordering parts. Please use the correct part numbers from the parts list. Payment for any parts ordered from the MINN KOTA parts department, may be by cash, personal check, Discover Card, MasterCard or VISA. To order, call 1-800-227-6433 or FAX 1-800-527-4464.

Hors de États-Unis, voir la liste ci-jointe pour le Centre de Service Agréé MINN KOTA le plus proche. Lors d'une commande, ne pas oublier de fournir le numéro de modèle et le numéro de série du moteur. Toujours mentionner le numéro de pièce exact figurant sur la liste des pièces de rechange.

1	2-100-216	ARMATURE ASSEMBLY 36V 4 VARS FW 101#	47	2153604	EYE SHAFT -2LOCKBAR STD PLTD	103	2260511	PIN-PIVOT A/T FT PDL
2	788-040	RETAINING RING	48	2260506	HINGE-PIN HEADLESS ZINC	104	2992102	FOOT PEDAL BASE/PIN ASSEMBLY
3	2-200-110	CENTER HOUSING ASSEMBLY 4.0 FW TXT MAX	49	2293811	YOKE, MAXXUM MOUNT POLYPROPYLENE	105	2262301	PULLEY FOOT PEDAL
3A	582-014	CLIP, RETAINING, US2	■	2994841	BAG ASSEMBLY- MAXXUM STABILIZER	106	2223430	SCREW- #8 X3/4" PPH TYPE 25 SS [4.EA]
4	2-300-160	BRUSH END HOUSING ASSEMBLY 4.0 FW TXT	51	2262605	PIN- BWGRD UPPER THREADED ZP	109	2266401	COVER-PULLEY STAMPING
5	144-017	BEARING -FLANGE (SERVICE ONLY)	52	9908236	WASHER 1/4 FLAT ZINC [2.EA]	110	2301310	SCREW-8-18 X 1/2" SS [2.EA]
6	880-025	SEAL [2.EA]	53	2223100	NUT-TENSION 5/16-18 SS [2.EA]	111	2264055	CONTROL BOARD ASSEMBLY- MAX101
7	421-276	PLAIN END HOUSING ASSEMBLY 4.0	■	2772086	TUBE W/BEARING RACE ASSEMBLY 52"	112	2223455	SCREW 10-32 X 1/2 [2.EA]
	9421-285	PLAIN END HOUSING ASSEMBLY 4.0 US2 52"		2772087	TUBE W/BEARING RACE ASSEMBLY 62"	113	2261220	WIRE HARNESS MAX 101
	9421-286	PLAIN END HOUSING ASSEMBLY 4.0 US2 62"	54	2272086	TUBE OUTER -24" 4 HOLES 52"	116	2267505	CABLE ASSEMBLY-RIGHT 5'
8	140-010	BALL BEARING		2272087	TUBE OUTER -34" 4 HOLES 62"	117	2267515	CABLE ASSEMBLY-LEFT 5'
9	990-045	THRUST SPACER	55	2266260	BEARING RACE- 565T	118	2265430	CABLE JACKET 5'
10	992-010	SPRING WASHER	56	2267307	BUSHING, OUTER TUBE	119	2265110	BOOT-CONTROL BOX
11	188-094	BRUSH 4"W/TERMINAL [2.EA]	■	2991763	BOWGUARD ASSEMBLY-FT CTRL,MAX	120	2265115	BOOT-FOOT PEDAL BASE
12B	640-024	BRUSH WIRE- BLACK 10 AWG 79"	57	2772319	BRACKET BASE TOP/EYELET ASSEMBLY	121	2372100	SCREW-8-18 X 5/8", THDT [2.EA]
12R	640-131	BRUSH WIRE- RED 10 AWG 80-1/2"	58	2771770	BRACKET BOTTOM/BEARING ASSEMBLY	122	2261714	WASHER-MAXXUM FT PDL [2.EA]
12G	640-316	GROUND WIRE 52" (US MOTORS ONLY)	59	2772352	EYELET-ROPE KIT	123	2261901	BRACKET-CONDUIT AT/MAX
	640-317	GROUND WIRE 62" (US MOTORS ONLY)	61	2263423	SCREW 5/16-18 X 1" SHCS ZINC	124	2263210	BRACKET-CONDUIT ADJUST
12F	2218200	FUSE HOLDER (US MOTORS ONLY)	62	2263425	SCREW 5/16-18 X 2-1/2" SHCS [2.EA]	125	2263104	NYLOCK KEEPER
13	738-004	BRUSH PLATE - 4" TERMINAL	63	2071541	SPRING-SLEEVE UPPER	126	2263466	SCREW-1/4-20 X 2" STL PPH
14	975-041	SPRING -TORSION [2.EA]	64	2071535	SPRING SLEEVE, LOWER	127	2261238	LEADWIRE A/T VARIABLE
17	701-009	O-RING -THRU BOLT [2.EA]	65	2262706	SPRING, BOWGUARD, NIK	128	2020700	TERMINAL RING, 3/8" [2.EA]
18	701-043	O-RING (2 REQ'D)	■	2994830	BAG ASSEMBLY-MAXXUM	129	2256300	TIE WRAP-5.5" BLACK
■	2889460	SEAL & ORING KIT	*67	2263431	SCREW 1/4-20 X 3.5" PPH [6.EA]	130	2263201	CLAMP WIRE HARNESS MICRO [2.EA]
19	830-027	SCREW -SELF TREADED 10-32 X 2" [2.EA]	*68	2261713	WASHER-1/4" FLAT S/S [6.EA]	131	2332103	SCREW-6-20 X 3/8" THD
20	830-096	THRU BOLT 12-24 X 11.56" SS [2.EA]	*69	2263103	NUT -NYLOCK JAM 1/4-20 S/S [6.EA]	133	2254031	SWITCH-MOM/OFF/COM
21	973-025	SPACER -BRUSH PLATE [2.EA]	■	2994832	BAG ASSEMBLY	134	2266412	SWITCH PLATE, FT PEDAL
22	990-051	WASHER-THRUST, STEEL	70	2261505	SPACER, MOTOR REST [6.EA]	135	2332103	SCREW-6-20 X 3/8" THD [2.EA]
23	990-052	WASHER- NYLATRON	71	2263434	SCREW, 8-18 X 1" PPH [2.EA]	136	2256301	TIE WRAP-5.5" WHITE [2.EA]
24	2316285	MOTOR ASSEMBLY 36V VARS TXT (52")	72	2266000	BEARING, BALL-STEEL	137	2365107	INSULATING PAD 2.3 X 3.2"
	2316289	MOTOR ASSEMBLY 36V VARS TXT (62")	72A	2266116	BEARING, CARTRIDGE	138	2264511	BOTTOM PLATE, MAX 101
	2326286	MOTOR ASSEMBLY 36V VARS TXT US2 (52")	73	2266001	BEARING, SPLIT RING	139	2372100	SCREW-8 X 5/8" SS [5.EA]
	2326287	MOTOR ASSEMBLY 36V 4" VARS US2 (62")	74	2261619	COLLAR HALF-ZINC-2 PER	140	2263455	SCREW #12-14 X 1/2" THR FRM [4.EA]
25	2032006	TUBE (COMP) W/4 HOLE 52"	75	2263452	SCREW- 1/4-20X3/4 SHCP SS [2.EA]	141	2265126	BUMPER PAD, FOOT PEDAL [4.EA]
	2032007	TUBE (COMP) W/4 HOLE 62"	76	2280201	CONTROL BOX COVER	142	2266610	DECAL-ON/OFF SWITCH
■	1378132	PROPELLER KIT	77	2372100	SCREW-8-18 X 5/8" THDT [4.EA]	143	2282500	CONTROL BOX
26	2331160	PROPELLER (W.WEDGE 2)	78	2275606	DECAL COVER, MAXXUM 101	144	2267800	GEAR-INDICATOR [2.EA]
27	2091701	WASHER-PROP (LARGE) MAX 101	79	2990140	DIRECTIONAL INDICATOR	145	2262221	INDICATOR-DRIVE
28	2093101	NUT-PROP (LARGE) MAX 101	80	2282730	SPRING-INDICATOR	146	2261905	BRACKET/INDICATOR
29	2020713	TERMINAL- ADAPTOR MAX50/S	81	2053414	SCREW-8-32 X 1/2" TRI-LOBE [3.EA]	147	2301310	SCREW-8-18 X 1/2" SS
30	2335400	SHRINK TUBE 1/4ODX2" [2EA.]	82	2267800	GEAR INDICATOR	148	2264015	LIGHT/INDICATOR
31	2262658	PROP PIN	83	2372100	SCREW-8-18 X 5/8" SS	149	2263802	STRAP- HOLD DOWN 30.5 VELCRO
■	2991841	MOUNT, BOW ASSEMBLY W/O BGRD FW MAX	84	2355410	SHRINK TUBE-3/8 OD X 2" [2.EA]	■	2991550	CLAMP COLLAR ASSEMBLY
32	2264246	ARM-UPPER FW LG	85	2232360	PULLEY-CABLE DRUM	150	2071550	CLAMP COLLAR "A"
33	2293501	BUSHING, STAINLESS STEEL [4.EA]	86	2261730	WASHER-NYLON A/T	151	2071555	CLAMP COLLAR "B"
34	2263500	BOLT, SHOULDER [2.EA]	87	2996247	TOP BEARING RACE /PINION DRIVE ASSEMBLY	152	2072621	PIN-KNURLED
35	2774317	ARM-LOWER ASSEMBLY, LG, FW EXTR	88	2223468	SCREW-8-32 X 7/16" ZINC PLATE [4.EA]	153	2281505	KNOB-CLAMP COLLAR
36	2263913	MOTOR REST LONG, MAXXUM	89	2262607	PIN - CLEVIS ZP MAX BG	155	2071718	WASHER #10 NYLON RETAINING
37	2265514	DECAL- MOTOR REST [2.EA]	90	2260805	CLIP-SPRING ZP MAX BG	157	2073102	NUT - HEX 1/4 - 28 SS
38	2773986	BOWPLATE, LG FW /INSERT	91	2150400	PULL-GRIP	158	2071560	SPLIT COLLAR
39	2251601	ROPE 40" MAXXUM	92	2151700	WASHER-EYE SHAFT .562"	159	2211410	EXTENSION CABLE US2
40	2267318	BEARING NYLINER [2.EA]	93	2998200	CIRCUIT BREAKER ASSEMBLY 36V-101 [2.EA]	200	2075120	URETHANE PAD
41	2261708	WASHER-3/8 X 1/2 X.010" SS [2.EA]	94	2994496	FOOT PEDAL/PLUG ASSEMBLY			
42	2152610	SPRING-PIN (LOCKBAR) [2.EA]	95	2993705	PUSH-BUTTON MAGNET ASSEMBLY			
43	2233600	LOCK BAR- (BOW MOUNT)	96	2302732	SPRING-LOWER PEDAL SS			
44	2233602	LOCK BAR, REAR - ZINC	97	2260810	CLIP, REED SWITCH			
45	2152700	SPRING -LOCKBAR	100	2280115	KNOB-SPEED CONTROL			
46	2262703	SPRING STOP	101	2263000	E-RING TRU-ARC#5133-43			
			102	2266413	TENSION SCREW PLATE FT			

* This item is part of an assembly. This item cannot be sold separately due to machining and /or assembly that is required.

P/N2274966 REV. V ECN 32427 9-10

Maxxum 101 is 36-volt only!

OPTIONAL BROWN WIRE *
SEE BOAT WIRING DIAGRAM
FIL MARRON OPTIONNEL *
ÉQUIPÉS DE SONAR. VOYEZ LE SCHÉMA DE CÂBLAGE DU BATEAU.

